

ARCLITE® 20/5

recessed PAR 20 metal halide downlight

H I D
8-230

FEATURES

Arclite 20/5 is an efficient 5" aperture downlight designed for use with 20-watt or 39-watt PAR-20 metal halide lamps and equipped with an electronic ballast. Precise reflector design minimizes aperture brightness, with a shielding angle of 40°.

PAR-20 metal halide lamps are available in a number of beam spreads from narrow spot to very wide flood. These lamps have a color rendering index (CRI) of 80, a color temperature of 3000°K, and a 9,000-hour life.

Arclite 20/5 is part of a family of metal halide downlights, wallwashers and accent lights available in four aperture sizes, each scaled for a different ceiling height. The 5" aperture matches that of our 5" compact fluorescent, low voltage, A and PAR lamped downlights, wallwashers and accent lights.

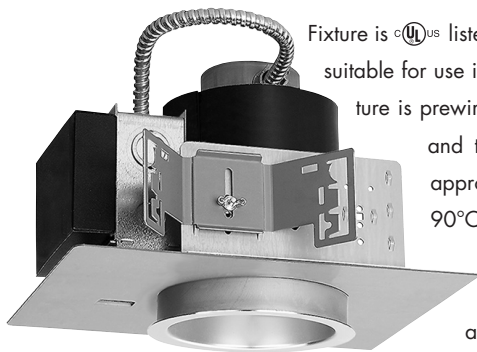
Arclite 20/5 may be relamped from below without removing its reflector.

Reflectors are available in clear, natural aluminum in three finishes: **EvenTone**, our standard clear finish, partially diffuse, anti-iridescent and gently luminous in appearance; **OptiTone**, specular and anti-iridescent, with minimum brightness and maximum efficiency; and **EasyTone**, diffuse and luminous. Additionally, reflectors are available in champagne gold, wheat, pewter, bronze and black.

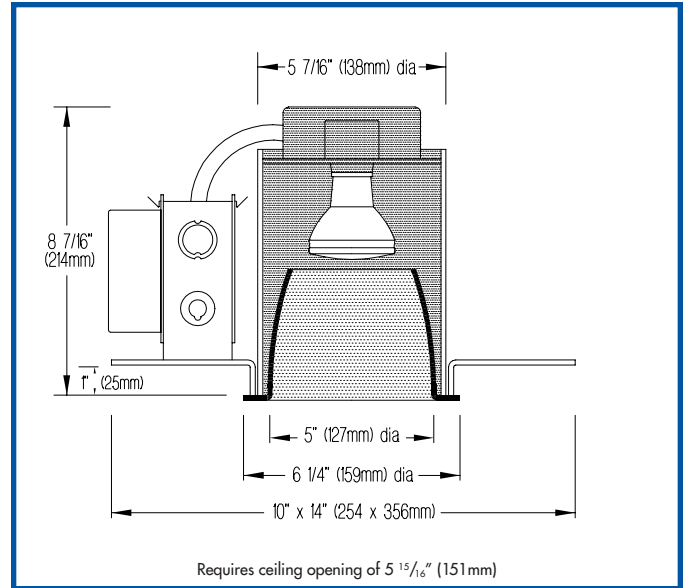
Arclite 20/5 includes a pair of mounting bars (3/4" x 27" C channel). Specialty bars for wood joist and T-bar installations are also available.

APPLICATIONS

Fixture is recommended for downlighting in stores, malls, banks, hotels, schools, auditoriums, airports and sports facilities – especially in lobbies, atria and other public areas.



Fixture is cULus listed for Damp Location and suitable for use in a fire rated ceiling. Fixture is prewired with electronic ballast and thermal protector, and is approved for eight #12 wire 90°C branch circuit pull-through wiring. Removal of the housing from below allows access to the ballast and junction box.



PRODUCT CODE

For complete product code, list basic unit and select one item from each following box.

Basic Unit	ARC20/5	
Wattage	20-watt ballast.....-20	39-watt ballast.....-39
Voltage	120 volt service	277 volt service
Reflector and Flange Color	Overlap	Flush
EvenTone Clear	VOL.....	VFL
OptiTone Clear	COL	CFL
EasyTone Clear	ECOL.....	ECFL
Champagne Gold	GOL	GFL
Wheat	WHOL.....	WHFL
Pewter	POL.....	PFL
Bronze	ZOL.....	ZFL
Black	BOL.....	BFL
Other reflector finishes are available on special order.		
Standard reflector flange continues reflector finish. White painted flanges and custom painted flanges are available on special order. Add WF (white flange) or CCF (custom color flange).		

Example: ARC20/5-20 277 BOL is the product code for a fixture prepared for a 20-watt lamp and 277 volt service, with a black overlap reflector.

OPTIONS

Specify by adding to the end of basic unit.
Auxiliary DC bayonet base socket and standby control for incandescent lamp (100 watt max) - AUX
 ▶ 277 volt fixtures require 10 3/8" (263mm) recess depth.

- ▶ An install-from-below version of this fixture, suitable for installation outside North America, is also available. Contact factory.
- ▶ Decorative reflector rings are available on special order. Contact factory.



PHOTOMETRIC REPORT – FLOOD

Report No. 46251. Original Independent Testing Laboratories, Inc. (ITI) test report furnished upon request.

Luminaire recessed metal halide with spun aluminum reflector, specular finish
 Lamp CDM35/PAR20/FL, 2300 lumens
 Efficiency 88.5%
 Spacing Criterion.... 0.6

ZONAL LUMEN SUMMARY

Zone	Lumens	% Lamp	% Fixture
0 - 30°	1970	85.6	96.7
0 - 40°	2036	88.5	100.0
0 - 60°	2036	88.5	100.0
0 - 90°	2036	88.5	100.0
90 - 180°	0	0.0	0.0
0 - 180°	2036	88.5	100.0

BALLAST INFORMATION

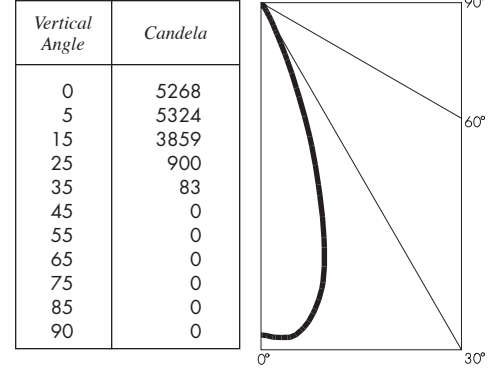
Voltage	120	277
Input Watts	44	46
Maximum Current (A)	.37	.17
Line Current (A)	.37	.17
Power Factor (%)	>95	>95
Min. Starting Temp (°F)	-22	-22

LUMINANCE DATA

Vertical Angle	Candelam ²
45	0
55	0
65	0
75	0
85	0

To convert cd/m² to footlamberts multiply by 0.2919.

CANDLEPOWER DISTRIBUTION



COEFFICIENTS OF UTILIZATION – ZONAL CAVITY METHOD (Effective Floor Cavity Reflectance 20%)

Ceiling Reflectance (%)	80				70				50				30				10				0
Wall Reflectance (%)	70	50	30	10	70	50	30	10	50	30	10	50	30	10	50	30	10	50	30	10	0
Room Cavity Ratio																					
0	105	105	105	105	103	103	103	103	98	98	98	94	94	94	90	90	90	89	89	89	
1	102	100	98	96	100	98	96	95	94	93	92	91	90	89	88	87	87	85	85	85	
2	98	95	92	90	96	93	91	89	91	89	87	88	86	85	86	84	83	82	82	82	
3	95	90	87	84	93	89	86	84	87	85	82	85	83	81	83	81	80	79	79	79	
4	92	87	83	80	90	86	82	80	84	81	79	82	80	78	81	79	77	76	76	76	
5	89	83	79	76	87	82	79	76	81	78	75	80	77	75	78	76	74	73	73	73	
6	86	80	76	73	85	79	76	73	78	75	72	77	74	72	76	73	72	71	71	71	
7	83	77	73	70	82	76	73	70	75	72	70	74	72	69	74	71	69	68	68	68	
8	80	74	70	68	80	74	70	67	73	70	67	72	69	67	71	69	67	66	66	66	
9	78	72	68	65	77	71	68	65	71	67	65	70	67	65	69	67	64	64	64	64	
10	76	69	65	63	75	69	65	63	68	65	63	68	65	63	67	64	62	62	62	62	

PHOTOMETRIC REPORT – SPOT

Report No. 46463. Original Independent Testing Laboratories, Inc. (ITI) test report furnished upon request.

Luminaire recessed metal halide with spun aluminum reflector, specular finish
 Lamp CDM35/PAR20/SP, 2300 lumens
 Efficiency 90.2%
 Spacing Criterion.... 0.2

ZONAL LUMEN SUMMARY

Zone	Lumens	% Lamp	% Fixture
0 - 30°	2023	88.0	97.5
0 - 40°	2074	90.2	100.0
0 - 60°	2074	90.2	100.0
0 - 90°	2074	90.2	100.0
90 - 180°	0	0.0	0.0
0 - 180°	2074	90.2	100.0

BALLAST INFORMATION

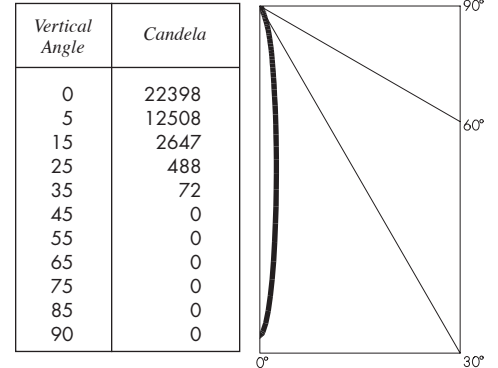
Voltage	120	277
Input Watts	44	46
Maximum Current (A)	.37	.17
Line Current (A)	.37	.17
Power Factor (%)	>95	>95
Min. Starting Temp (°F)	-22	-22

LUMINANCE DATA

Vertical Angle	Candelam ²
45	0
55	0
65	0
75	0
85	0

To convert cd/m² to footlamberts multiply by 0.2919.

CANDLEPOWER DISTRIBUTION



COEFFICIENTS OF UTILIZATION – ZONAL CAVITY METHOD (Effective Floor Cavity Reflectance 20%)

Ceiling Reflectance (%)	80				70				50				30				10				0
Wall Reflectance (%)	70	50	30	10	70	50	30	10	50	30	10	50	30	10	50	30	10	50	30	10	0
Room Cavity Ratio																					
0	105	105	105	105	103	103	103	103	98	98	98	94	94	94	90	90	90	88	88	88	
1	102	100	99	97	100	98	97	96	95	94	93	92	91	90	89	88	88	86	86	86	
2	99	96	94	92	97	95	93	91	92	90	89	90	88	87	87	86	85	84	84	84	
3	96	93	90	88	95	92	89	87	90	87	86	88	86	84	86	84	83	82	82	82	
4	94	90	87	84	93	89	86	84	87	85	83	86	84	82	84	83	81	80	80	80	
5	92	87	84	82	91	86	83	81	85	83	81	84	82	80	83	81	79	78	78	78	
6	90	85	82	79	89	84	81	79	83	80	78	82	80	78	81	79	78	77	77	77	
7	88	83	79	77	87	82	79	77	81	79	77	80	78	76	80	77	76	75	75	75	
8	86	81	77	75	85	80	77	75	79	77	75	79	76	75	78	76	74	74	74	74	
9	84	79	76	74	83	78	76	74	78	75	73	77	75	73	77	74	73	72	72	72	
10	82	77	74	72	82	77	74	72	76	74	72	76	73	72	75	73	72	71	71	71	