

#10 TEFLON WIRE LEAD (NEUTRAL) - 84" MAXIMUM
 #12 TEFLON WIRE LEAD (2) - 84" MAXIMUM
 #10 GROUND WIRE - 84" MAXIMUM

4" OCT. BOX-BY OTHERS
 3/8" F X 1/2" F STEEL HICKEY
 BOX COVER-4 1/2" DIA.-16 GA. STL.
 1/2" LOCKNUT
 1/2 IPS PENDANT (6'-0" MAXIMUM)

OPTIONAL

4 3/4" X 1 1/2" X 3/16" STEEL BAR
 W/ A 1/2"-14 TAPPED HOLE
 4 3/4" X 1 11/16" X 3/16" STEEL BAR
 W/ AN 11/16" HOLE
 WIREWAY COVER (LENGTH AS NEEDED)

WIREWAY COVER
 (LENGTH AS NEEDED)
 LAMPHOLDER TRIBORO (#659-1)
 46" -0 +1/16" BACK TO BACK

BALLAST MTG. SPRING, LOWER
 BALLAST MTG. SPRING

T5 FLUORESCENT LAMP (BY OTHERS)

REFLECTOR 20 GA
 STEEL-PAINTED WHITE

T5 FLUORESCENT BALLAST

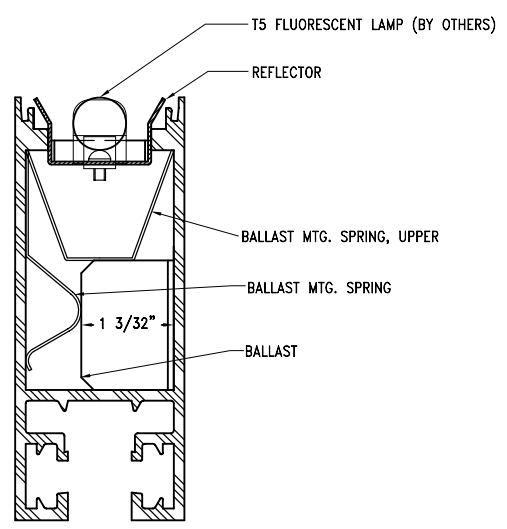
TOP PLATE
 BOTTOM PLATE
 ANGLE SUPPORT (2)
 INSULATOR
 CONDUCTOR
 ALUMINUM EXTRUSION
 FLAT WHITE,
 FLAT BLACK, OR
 INDUSTRIAL SILVER FINISH

END FEED

FLUORESCENT
 UPLIGHT (T5 OR T8)

END

SECTION



BALLAST &
 LAMP SECTION

APPLICATION NOTES:
 1) TWO, 20 AMP, 120 VOLT CIRCUITS
 2) PROVIDE SUPPLY WIRE SUITABLE FOR 75°C
 3) 14" MAXIMUM SPACING BETWEEN PENDANTS

DESIGNED BY	DATE	 41-50 22nd STREET LIC, NY 11101 TEL 718.685.0700 FAX 718.706.1628 E-MAIL DESIGN@EPL.COM
DRAWN BY	DATE	
SUBMITTED BY	DATE	
FIXTURE		UPLINE PZ
PROJECT		
TYPE	REVISION	SCALE
QTY	ORDER #	DWG.SIZE
		SHT. OF
		DWG
		BOM #

File Name: ULINE P