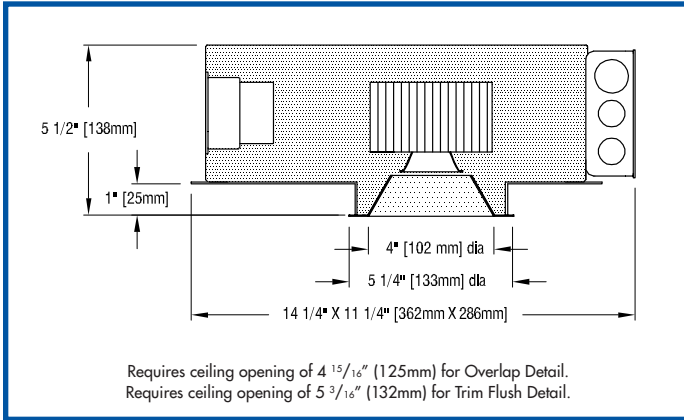


# FOUR XTM DL

recessed LED downlight



FULLY SUSTAINABLE – FULLY SUSTAINABLE – FULLY SUSTAINABLE – FULLY SUSTAINABLE – FULLY SUSTAINABLE – FULLY SUSTAINABLE – FULLY SUSTAINABLE

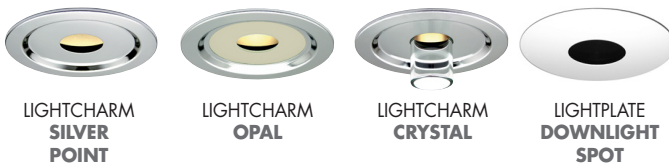


## FEATURES

- **FOUR XTM DL is a 4" aperture LED downlight.** Luminaire is powered by one of a number of Xicato XTM (19mm) LED modules, all of which are distinguished by extraordinary color consistency (within 1x2-step MacAdam ellipse). See tables below for wattages and efficacies.
- **Luminaire may be ordered with one of a number of drivers.**
- **Luminaire employs an internal 'twist and lock' reflector** to produce an initial beamspread of either 36° or 54°. To allow beamspread to be changed in installed luminaires, internal reflectors are available as accessories.
- **External reflectors are available in three clear natural aluminum colors** – semi-specular (C), slightly diffuse (V) or fully diffuse (EC) – as well as black Alzak® and specular white enamel. Other finishes are available on special order. A LightPlate may be used instead of an external reflector.
- **LightCharms® or LightPlate™ decorative trims may be ordered instead of standard reflectors.**
- **An optional integral holder is available to permit use of one or two Optical Accessories** (spread lenses, color filters, screens, etc.). A complimentary prismatic lens is included with this option.
- **Luminaire includes a pair of mounting bars** (3/4" x 27" C channel). Specialty bars for wood and T-bar installations are also available.
- **For more information, [click here](#).**

## APPLICATIONS

Luminaire is listed as an inherently protected luminaire for Damp Location. Luminaire is RoHA compliant, is suitable for use in a fire rated ceiling and is approved for ten #12 wire 90° C branch circuit wiring. Removal of the external reflector allows access to the LED module and junction box.



**SPACING**  
Three models – L13A, L20S and L20V – must be spaced 30" apart and 15" from walls with 1/2" clearance above housing.

## PRODUCT CODE

For complete product code, list basic unit and select one item from each following box.

Basic Unit .....	FR-XTM-DL
Internal Reflector <i>Choose one.</i>	
36° initial beamspread .....	– 36D
54° initial beamspread .....	– 54D
Driver	
dimmable to 1% by a 0-10V dimmer on 120 or 277-volt service .....	– DMV
dimmable to 5% or 10% (see Light Output box below) by either an incandescent or ELV dimmer; 120-volt service only .....	– DMP
Lutron L3D Hi-Lume driver dimmable to 1% by a Lutron 3-wire fluorescent dimmer or EcoSystem Bus Control, on 120-volt or 277-volt service .....	– D3D-LU
eldolED 0-10V (Logarithmic) driver dimmable to 0.1% with a 0-10V dimmer on 120 or 277-volt service .....	– DVOELG
eldolED 0-10V (Linear) driver dimmable to 0.1% with a 0-10V dimmer on 120 or 277-volt service .....	– DVOELN
eldolED driver dimmable to 0.1%, compatible with DALI control system .....	– DA0-EL
Moons' driver dimmable to 0.1%, compatible with DMX controllers .....	– DX0
Light Source Output (Lumens)	
700L / CRI 98 Artist .....	DMP (10%) ... - L07A
1000L / CRI 98 Artist .....	DMP (5%) ... - L10A
1000L / CRI 80+ .....	DMP (10%) ... - L10S
1000L / CRI 80+ Vibrant .....	3000K only ... DMP (10%) ... - L10V
1300L / CRI 98 Artist .....	<i>see SPACING</i> ... DMP (5%) ... - L13A
1300L / CRI 80+ .....	DMP (10%) ... - L13S
1300L / CRI 80+ Vibrant .....	3000K only ... DMP (10%) ... - L13V
1600L / CRI 98 Artist .....	DMP (5%) ... - L16A
1600L / CRI 80+ .....	DMP (5%) ... - L16S
1600L / CRI 80+ Vibrant .....	3000K only ... DMP (5%) ... - L16V
2000L / CRI 80+ .....	<i>see SPACING</i> ... DMP (5%) ... - L20S
2000L / CRI 80+ Vibrant .....	<i>see SPACING</i> ... DMP (5%) ... - L20V
Light Color	
2700 K .....	- 27K
3000 K .....	- 30K
3500 K .....	- 35K
4000 K .....	- 40K

External Reflector Color and Trim	Overlap	Trim Flush*
Semi-specular Clear .....	COL .....	CTF
Slightly diffuse Clear .....	VOL .....	VTF
Fully diffuse Clear .....	ECOL .....	ECTF
Black .....	BOL .....	BTF
White .....	WOL .....	WTF

Standard reflector flange continues reflector finish. White painted flanges and custom painted flanges are available on special order. Add WF (white flange) or CCF (custom color flange).  
\*Trim Flush reflector trim requires the use of a **plaster ring** Accessory (see below).  
► Reflectors detailed for metal or wood ceilings available on special order.  
LightCharms or LightPlate may be ordered instead of the standard reflectors above.  
LightCharm **Silver Point** ..... LC-SP  
LightCharm **Opal** ..... LC-O  
LightCharm **Crystal** ..... LC-C  
LightPlate **Downlight Spot, white** ..... DP-OL ..... DP-TF  
Custom painted trims for LightPlate are available on special order. Add -CC

## OPTIONS

Specify by adding to the basic unit.

<b>Remote emergency battery pack</b> including two components – battery pack and plate with test switch and light – to be mounted adjacent to luminaire; for use in accessible ceilings .....	– RX
<b>Integral holder for Optical Accessories</b> (see over); includes Solite pattern prismatic lens .....	– DG

## EXTRA REFLECTORS

Specify as separate line items.

<b>36° internal reflector</b> .....	XTM-REF36-50
<b>54° internal reflector</b> .....	XTM-REF54-50

## ACCESSORIES

Specify as a separate line item.

<b>Plaster ring</b> allows use of 4 7/8" OD Trim Flush (-TF) reflector in sheetrock ceiling; 5 3/16" dia hole required .....	TF RING/4
--	-----------



## OPTICAL ACCESSORIES *Specify as separate line*

*Specify as separate line items.*

*For use only with the "Integral holder... - DG" Option listed above.*

*All are 2 3/4" (70mm) diameter. Lenses and filters are glass; screens are aluminum.*

**diffuse glass** ..... DGS/2.75

**prismatic lens (Solite)** ..... (included with - DG option)..... PLS/2.75

**55° spread lens** ..... LENS/2.75

**40° x 70° spread lens** ..... LENS/2.75-4070

**beam smoother** ..... CLR/2.75

**33% light reduction screen** ..... SCR33/2.75

**50% light reduction screen** ..... SCR50/2.75

### color filters

surprise pink .....PNK/2.75

daylight blue..... DAY/2.75

amber ..... AMB/2.75

blue ..... BLU/2.75

green ..... GRN/2.75

red ..... RED/2.75



See below for photometric reports

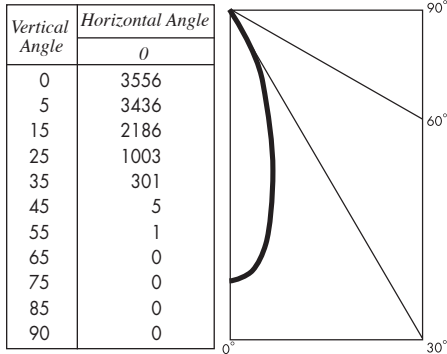


## PHOTOMETRIC REPORT with 36° reflector (tested per IESNA LM-79-2008)

Verification Services Report No. 1173020. Original test report furnished upon request.

Luminaire ..... recessed LED round downlight with semi-specular clear aluminum reflector  
 Light Source ..... one white Xicato XTM 19mm LES LED with 36° beam spread integral reflector, 3000K CCT, 80 CRI, 2000 lumens  
 Spacing Criteria ..... 0.6

### CANDLEPOWER DISTRIBUTION (Candela)



### LUMINANCE DATA

Vertical Angle	Candela/m <sup>2</sup>
45	934
55	190
65	64
75	55
85	0

### ZONAL LUMEN SUMMARY

Zone	Lumens	% Fixture
0 - 40°	1555	99.6
0 - 60°	1561	100.0
0 - 90°	1562	100.0
90 - 180°	0	0.0
0 - 180°	1562	100.0

### LUMINAIRE LIGHT OUTPUT AND EFFICACY

LED Light Engine	Luminaire Light Output	Luminaire Efficacy (lms/watt)	System Wattage	RX Light Output (90 min. run)
700 Lumens Artist	571*	56*	10	406*
1000 Lumens Artist	757*	51*	15	406*
1300 Lumens Artist	1000*	52*	19	406*
1600 Lumens Artist	1216*	62*	20	437*
1000 Lumens standard & Vibrant	765*	74*	10	422*
1300 Lumens standard & Vibrant	1020*	69*	15	422*
1600 Lumens standard & Vibrant	1232*	70*	17	500*
2000 Lumens standard & Vibrant	1562	79	20	469*

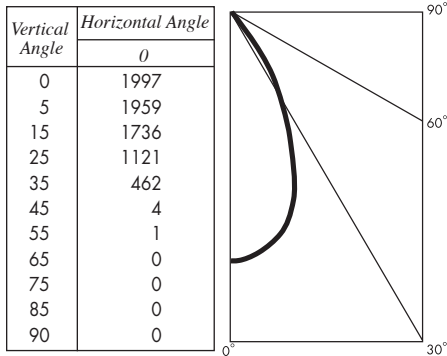
\*estimated values

## PHOTOMETRIC REPORT with 54° reflector (tested per IESNA LM-79-2008)

Verification Services Report No. 1173021. Original test report furnished upon request.

Luminaire ..... recessed LED round downlight with semi-specular clear aluminum reflector  
 Light Source ..... one white Xicato XTM 19mm LES LED with 54° beam spread integral reflector, 3000K CCT, 80 CRI, 2000 lumens  
 Spacing Criteria ..... 0.9

### CANDLEPOWER DISTRIBUTION (Candela)



### LUMINANCE DATA

Vertical Angle	Candela/m <sup>2</sup>
45	641
55	163
65	91
75	36
85	0

### ZONAL LUMEN SUMMARY

Zone	Lumens	% Fixture
0 - 40°	1454	98.3
0 - 60°	1478	100.0
0 - 90°	1479	100.0
90 - 180°	0	0.0
0 - 180°	1479	100.0

### LUMINAIRE LIGHT OUTPUT AND EFFICACY

LED Light Engine	Luminaire Light Output	Luminaire Efficacy (lms/watt)	System Wattage	RX Light Output (90 min. run)
700 Lumens Artist	540*	53*	10	385*
1000 Lumens Artist	717*	49*	15	385*
1300 Lumens Artist	947*	49*	19	385*
1600 Lumens Artist	1151*	59*	20	414*
1000 Lumens standard & Vibrant	724*	70*	10	399*
1300 Lumens standard & Vibrant	966*	65*	15	399*
1600 Lumens standard & Vibrant	1166*	67*	17	473*
2000 Lumens standard & Vibrant	1479	75	20	444*

\*estimated values

## STANDARD DMV DRIVER INFORMATION (UL Class 2, dry and damp location)

Voltage	120	277
Input Watts (L07A/L10A/L13A/L16A/L10S&V/L13S&V/L16S&V/L20S&V)	10/15/19/20/10/15/17/20	10/15/19/20/10/15/17/20
Input Current (A) (L07A/L10A/L13A/L16A/L10S&V/L13S&V/L16S&V/L20S&V)	.08/13/16/17/08/13/14/17	.04/05/07/07/04/05/06/07
Output Current (mA)	350-700	350-700
Min. Power Factor	.99	.99
Operating Temperature Range (F)	-13 to 122	-13 to 122

## LIGHT OUTPUT MULTIPLIER

LED Light Engine	Light Output Multiplier	RX Light Output Multiplier
700 Lumens Artist	.37*	.26*
1000 Lumens Artist	.48*	.26*
1300 Lumens Artist	.64*	.26*
1600 Lumens Artist	.78*	.28*
1000 Lumens standard & Vibrant	.49*	.27*
1300 Lumens standard & Vibrant	.65*	.27*
1600 Lumens standard & Vibrant	.79*	.32*
2000 Lumens standard & Vibrant	1	.30*

\*estimated values

## REFLECTOR COLOR MULTIPLIERS

Semi-specular clear (C)	1
Slightly diffuse clear (V)	.95
Fully diffuse clear (EC)	.88
Champagne gold clear (G)	.95
Black (B)	.49