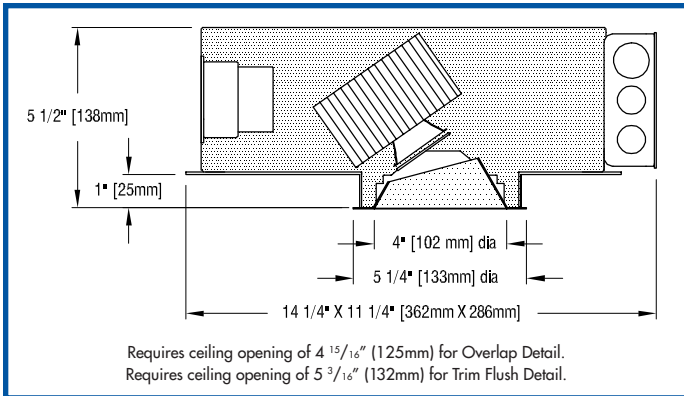


FOUR XTM AA EE

recessed LED accent light



FULLY SUSTAINABLE – FULLY SUSTAINABLE – FULLY SUSTAINABLE – FULLY SUSTAINABLE – FULLY SUSTAINABLE – FULLY SUSTAINABLE – FULLY SUSTAINABLE



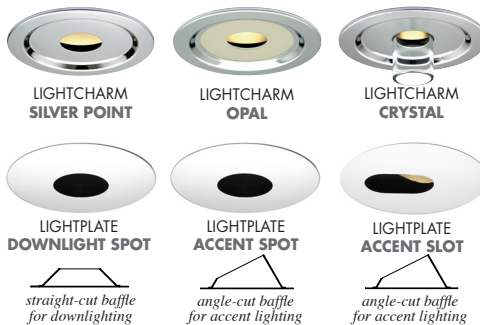
- **FOUR XTM AA EE is a 4" aperture, enhanced efficacy (EE), LED accent light.** Luminaire is powered by one of a number of Xicato XTM (19mm) LED modules. See tables below for wattages and efficacies. Luminaire may be ordered with one of a number of drivers.
- **Luminaire provides 362° horizontal rotation and 0°-35° angular adjustment.** Once focused, adjustment is locked by a thumb screw and wing nut.
- **Luminaire employs an internal 'twist and lock' reflector** to produce an initial beam-spread of 36° or 54°. To allow beamspread to be changed in installed luminaires, internal reflectors are available as accessories.
- **Luminaire includes a complimentary Beam Smoother** which may be replaced by one or two **Optical Accessories** including lenses and screens.
- **External reflectors, cut at 15°**, are available in three natural aluminum finishes – semi-specular (C), slightly diffuse (V) or fully diffuse (EC) – as well as black Alzak® and specular white enamel. Other finishes are available on special order. A LightPlate may be used instead of an external reflector.
- **LightCharms® or LightPlate™ decorative trims may be ordered instead of standard reflectors.**
- **Luminaires includes a pair of mounting bars** (3/4" x 27" C channel). Specialty bars for wood and T-bar installations are also available.
- **For more information, [click here](#).**

APPLICATIONS

Luminaire is listed as an inherently protected luminaire for Damp Location. Luminaire is RoHA compliant, is suitable for use in a fire rated ceiling and is approved for ten #12 wire 90° C branch circuit wiring. Removal of the external reflector allows access to the LED module and junction box.

LIGHTCHARMS & LIGHTPLATES

LightCharms and LightPlates may be used instead of standard reflectors.



For a version of this luminaire designed to provide greater shielding of the light source, see [FOUR XTM AA ES](#).

SPACING – Three models – L13A, L20S and L20V – must be spaced 30" apart and 15" from walls with 1/2" clearance above housing.

PRODUCT CODE

For complete product code, list basic unit and select one item from each following box.

Basic Unit.....	FR-XTM-AA
Internal Reflector <i>Choose one.</i>	
36° initial beamspread	– 36D
54° initial beamspread	– 54D
Driver	
dimmable to 1% by a 0-10V dimmer on 120 or 277-volt service.....	– DMV
dimmable to 5% or 10% (see Light Output box below) by either an incandescent or ELV dimmer; 120-volt service only	– DMP
Lutron L3D Hi-Lume driver dimmable to 1% by a Lutron 3-wire fluorescent dimmer or EcoSystem Bus Control, on 120-volt or 277-volt service	– D3D-LU
eldoLED 0-10V (Logarithmic) driver dimmable to 0.1% with a 0-10V dimmer on 120 or 277-volt service	– DVOELG
eldoLED 0-10V (Linear) driver dimmable to 0.1% with a 0-10V dimmer on 120 or 277-volt service	– DVOELN
eldoLED driver dimmable to 0.1%, compatible with DALI control system	– DA0-EL
Moons' driver dimmable to 0.1%, compatible with DMX controllers.....	– DX0
Light Source Output (lumens)	
700L / CRI 98 Artist.....	DMP (10%) ... L07A
1000L / CRI 98 Artist.....	DMP (5%) ... L10A
1000L / CRI 80+.....	DMP (10%) ... L10S
1000L / CRI 80+ Vibrant.....	3000K only DMP (10%) ... L10V
1300L / CRI 98 Artist.....	see SPACING DMP (5%) ... L13A
1300L / CRI 80+.....	DMP (10%) ... L13S
1300L / CRI 80+ Vibrant.....	3000K only DMP (10%) ... L13V
1600L / CRI 98 Artist.....	DMP (5%) ... L16A
1600L / CRI 80+.....	DMP (5%) ... L16S
1600L / CRI 80+ Vibrant.....	3000K only DMP (5%) ... L16V
2000L / CRI 80+.....	see SPACING DMP (5%) ... L20S
2000L / CRI 80+ Vibrant.....	see SPACING . 3000K only DMP (5%) ... L20V
Light Color	
2700 K.....	– 27K
3000 K.....	– 30K
3500 K.....	– 35K
4000 K.....	– 40K
External Reflector Color and Trim	Overlap Trim Flush*
Semi-specular Clear.....	EE-COL..... EE-CTF
Slightly diffuse Clear.....	EE-VOL..... EE-VTF
Fully diffuse Clear.....	EE-ECOL..... EE-ECTF
Black.....	EE-BOL..... EE-BTF
White.....	EE-WOL..... EE-WTF

Standard reflector flange continues reflector finish. White painted flanges and custom painted flanges are available on special order. Add WF (white flange) or CCF (custom color flange).
*Trim Flush reflector requires the use of a plaster ring Accessory (see below).

► Reflectors detailed for metal or wood ceilings available on special order.
LightCharms or LightPlate may be ordered instead of the standard reflectors above.

LightCharm Silver Point	LC-SP
LightCharm Opal	LC-O
LightCharm Crystal	LC-C
LightPlate Downlight Spot , white	DP-OL..... DP-TF
LightPlate Accent Spot , white	AP-OL..... AP-TF
LightPlate Accent Slot , white	AL-OL..... AL-TF

Custom painted trims for LightPlate are available on special order. Add –CC

OPTIONS Specify by adding to the basic unit.

0° cut downlight reflector	– 0
Remote emergency battery pack including two components – battery pack and plate with test switch and light – to be mounted adjacent to luminaire; for use in accessible ceilings	– RX

EXTRA REFLECTORS Specify as separate line items.

36° internal reflector	XTM-REF36-50
54° internal reflector	XTM-REF54-50

ACCESSORIES Specify as a separate line item.

Plaster ring allows use of 4 7/8" OD Trim Flush (-TF) reflector in sheetrock ceiling; 5 3/16" dia hole required	TF RING/4
--	-----------



OPTICAL ACCESSORIES *Specify as separate line*

All are 2 3/4" (70mm) diameter. Lenses and filters are glass; screens are aluminum.

diffuse glass	DGS/2.75
prismatic lens (Solite)	PLS/2.75
55° spread lens	LENS/2.75
40° x 70° spread lens	LENS/2.75-4070
beam smoother	(included with fixture)..... CLR/2.75
33% light reduction screen	SCR33/2.75
50% light reduction screen	SCR50/2.75

color filters

surprise pink	PNK/2.75
daylight blue.....	DAY/2.75
amber	AMB/2.75
blue	BLU/2.75
green	GRN/2.75
red	RED/2.75

Downlight Reflectors

Overlap

Trim Flush

Semi-specular Clear	REF-FR-AA-EE-0-COL	REF-FR-AA-EE-0-CTF
Slightly diffuse Clear	REF-FR-AA-EE-0-VOL	REF-FR-AA-EE-0-VTF
Fully diffuse Clear	REF-FR-AA-EE-0-ECOL	REF-FR-AA-EE-0-ECTF
Black.....	REF-FR-AA-EE-0-BOL.....	REF-FR-AA-EE-0-BTF
White.....	REF-FR-AA-EE-0-WOL.....	REF-FR-AA-EE-0-WTF

Downlight Conversion

Convert to a downlight in the field. Tilt the heatsink assembly to the vertical then shift it to the center of the aperture. Replace angle-cut reflector with 0°-cut **Downlight Reflector** (see OPTIONS).



See below for photometric reports



PHOTOMETRIC REPORT with 36° reflector (tested per IESNA LM-79-2008)

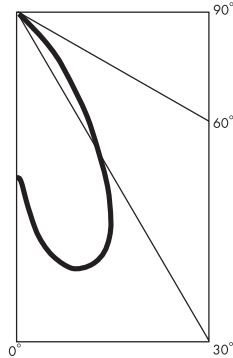
UL Verification Services Report No. 1173020. Original test report furnished upon request.

Luminaire recessed LED round accent light with semi-specular clear aluminum reflector, LED aimed at 15° above vertical

Light Source one white Xicato XTM 19mm LES LED with 36° beam spread integral reflector, 3000K CCT, 80 CRI, 2000 lumens

CANDLEPOWER DISTRIBUTION (Candela)

Vertical Angle	Horizontal Angle				
	0	45	90	135	180
0	2186	2186	2186	2186	2186
5	2954	2663	2065	1643	1509
15	3556	2758	1404	773	614
25	2954	1797	683	138	25
35	1509	881	95	4	2
45	614	243	4	1	0
55	25	5	1	0	0
65	2	1	0	0	0
75	0	0	0	0	0
85	0	0	0	0	0
90	0	0	0	0	0



LUMINAIRE LIGHT OUTPUT AND EFFICACY

LED Light Engine	Luminaire Light Output	Luminaire Efficacy (lms/watt)	System Wattage	RX Light Output (90 min. run)
700 Lumens Artist	571*	56*	10	406*
1000 Lumens Artist	757*	51*	15	406*
1300 Lumens Artist	1000*	52*	19	406*
1600 Lumens Artist	1216*	62*	20	437*
1000 Lumens standard & Vibrant	765*	74*	10	422*
1300 Lumens standard & Vibrant	1020*	69*	15	422*
1600 Lumens standard & Vibrant	1232*	70*	17	500*
2000 Lumens standard & Vibrant	1562	79	20	469*

*estimated values

PHOTOMETRIC REPORT with 54° reflector (tested per IESNA LM-79-2008)

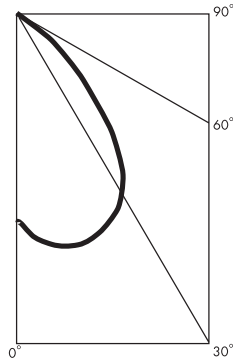
UL Verification Services Report No. 1173021. Original test report furnished upon request.

Luminaire recessed LED round accent light with semi-specular clear aluminum reflector, LED aimed at 15° above vertical

Light Source one white Xicato XTM 19mm LES LED with 54° beam spread integral reflector, 3000K CCT, 80 CRI, 2000 lumens

CANDLEPOWER DISTRIBUTION (Candela)

Vertical Angle	Horizontal Angle				
	0	45	90	135	180
0	1736	1736	1736	1736	1736
5	1871	1824	1701	1540	1479
15	1997	1840	1425	915	782
25	1871	1607	843	311	157
35	1479	1010	262	3	2
45	782	411	2	1	0
55	157	3	1	0	0
65	2	1	0	0	0
75	0	0	0	0	0
85	0	0	0	0	0
90	0	0	0	0	0



LUMINAIRE LIGHT OUTPUT AND EFFICACY

LED Light Engine	Luminaire Light Output	Luminaire Efficacy (lms/watt)	System Wattage	RX Light Output (90 min. run)
700 Lumens Artist	540*	53*	10	385*
1000 Lumens Artist	717*	49*	15	385*
1300 Lumens Artist	947*	49*	19	385*
1600 Lumens Artist	1151*	59*	20	414*
1000 Lumens standard & Vibrant	724*	70*	10	399*
1300 Lumens standard & Vibrant	966*	65*	15	399*
1600 Lumens standard & Vibrant	1166*	67*	17	473*
2000 Lumens standard & Vibrant	1479	75	20	444*

*estimated values

STANDARD DMV DRIVER INFORMATION (UL Class 2, dry and damp location)

Voltage	120	277
Input Watts (L07A/L10A/L13A/L16A/L10S&V/L13S&V/L16S&V/L20S&V)	10/15/19/20/10/15/17/20	10/15/19/20/10/15/17/20
Input Current (A) (L07A/L10A/L13A/L16A/L10S&V/L13S&V/L16S&V/L20S&V)	.08/13/16/17/08/13/14/17	.04/05/07/07/04/05/06/07
Output Current (mA)	350-700	350-700
Min. Power Factor	.99	.99
Operating Temperature Range (F)	-13 to 122	-13 to 122

LIGHT OUTPUT MULTIPLIER

LED Light Engine	Light Output Multiplier	RX Light Output Multiplier
700 Lumens Artist	.37*	.26*
1000 Lumens Artist	.48*	.26*
1300 Lumens Artist	.64*	.26*
1600 Lumens Artist	.78*	.28*
1000 Lumens standard & Vibrant	.49*	.27*
1300 Lumens standard & Vibrant	.65*	.27*
1600 Lumens standard & Vibrant	.79*	.32*
2000 Lumens standard & Vibrant	1	.30*

*estimated values

REFLECTOR COLOR MULTIPLIERS

Semi-specular clear (C)	1
Slightly diffuse clear (V)	.95
Fully diffuse clear (EC)	.88
Champagne gold clear (G)	.95
Black (B)	.49