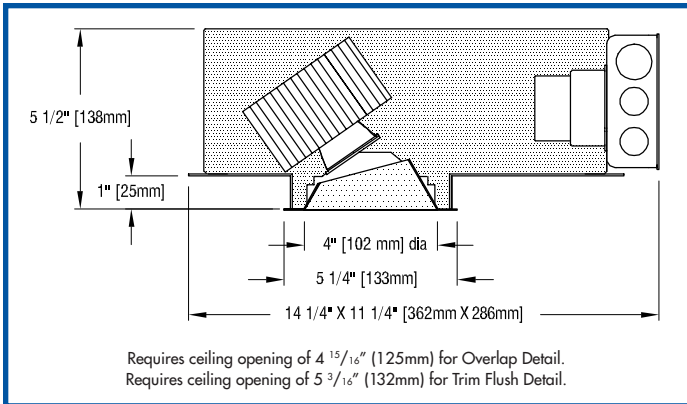


FOUR NSP AA EE

recessed LED narrow spot accent light



FULLY SUSTAINABLE – FULLY SUSTAINABLE – FULLY SUSTAINABLE – FULLY SUSTAINABLE – FULLY SUSTAINABLE – FULLY SUSTAINABLE – FULLY SUSTAINABLE

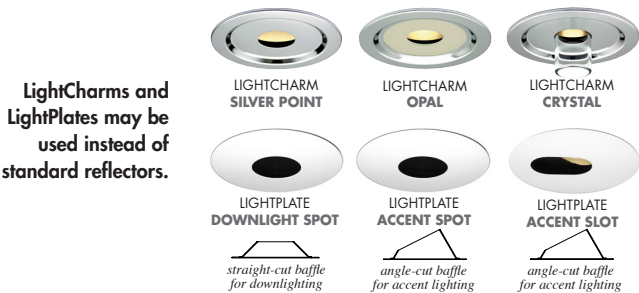


- **FOUR NSP AA EE is a 4" aperture, enhanced efficacy (EE), LED narrow spot accent light.** Luminaire is powered by one of a number of Xicato XTS (9mm) LED modules. See tables below for wattages and efficacies. Luminaire may be ordered with one of a number of drivers.
- **Luminaire provides 362° horizontal rotation and 0°-35° angular adjustment.** Once focused, adjustment is locked by a thumb screw and wing nut.
- **Luminaire employs an internal 'twist and lock' reflector** to produce an initial beam-spread of 14° or 24°. To allow beam-spread to be changed in installed luminaires, internal reflectors are available as accessories.
- **Luminaire includes a complimentary Beam Smoother** which may be replaced by one or two **Optical Accessories** including lenses and screens.
- **External reflectors, cut at 15°**, are available in three natural aluminum finishes – semi-specular (C), slightly diffuse (V) or fully diffuse (EC) – as well as black Alzak® and specular white enamel. Other finishes are available on special order. A LightPlate may be used instead of an external reflector.
- **LightCharms® or LightPlate™ decorative trims may be ordered instead of standard reflectors.**
- **Luminaire may be converted to a downlight in the field** by re-setting the angular adjustment yoke and replacing the standard external reflector with an optional 0° cut reflector.
- **Luminaire includes a pair of mounting bars** (3/4" x 27" C channel). Specialty bars for wood and T-bar installations are also available.
- **For more information, [click here](#).**

APPLICATIONS

Luminaire is listed as an inherently protected luminaire for Damp Location. Luminaire is RoHA compliant, is suitable for use in a fire rated ceiling and is approved for ten #12 wire 90° C branch circuit wiring. Removal of the external reflector allows access to the LED module and junction box.

LIGHTCHARMS & LIGHTPLATES



For a version of this luminaire designed to provide less shielding of the light source and greater efficacy, see [FOUR NSP AA ES](#).

SPACING – Three models – L10A, L13S and L13V – must be spaced 30" apart and 15" from walls with 1/2" clearance above housing.

PRODUCT CODE

For complete product code, list basic unit and select one item from each following box.

Basic Unit.....	FR-XTS-AA
Internal Reflector <i>Choose one.</i>	
14° initial beamspread	- 14D
24° initial beamspread	- 24D
Driver	
dimmable to 1% by a 0-10V dimmer on 120 or 277-volt service.....	- DMV
dimmable to 5% or 10% (see Light Output box below) by either an incandescent or ELV dimmer; 120-volt service only	- DMP
Lutron L3D Hi-Lume driver dimmable to 1% by a Lutron 3-wire fluorescent dimmer or EcoSystem Bus Control, on 120-volt or 277-volt service	- D3D-LU
eldoLED 0-10V (Logarithmic) driver dimmable to 0.1% with a 0-10V dimmer on 120 or 277-volt service	- DVOELG
eldoLED 0-10V (Linear) driver dimmable to 0.1% with a 0-10V dimmer on 120 or 277-volt service	- DVOELN
eldoLED driver dimmable to 0.1%, compatible with DAUI control system	- DA0-EL
Moons' driver dimmable to 0.1%, compatible with DMX controllers.....	- DX0

Light Source Output (Lumens)	
700L / CRI 98 Artist	DMP (5%) ... -L07A
700L / CRI 80+	DMP (10%) ... -L07S
700L / CRI 80+ Vibrant	3000K only ... DMP (10%) ... -L07V
1000L / CRI 98 Artist	see SPACING
1000L / CRI 80+	DMP (5%) ... -L10A
1000L / CRI 80+ Vibrant	3000K only ... DMP (5%) ... -L10V
1300L / CRI 80+	see SPACING
1300L / CRI 80+ Vibrant	3000K only ... DMP (5%) ... -L13S
1300L / CRI 80+ Vibrant	see SPACING ... 3000K only ... DMP (5%) ... -L13V

Light Color	
2700 K.....	- 27K
3000 K.....	- 30K
3500 K.....	- 35K
4000 K.....	- 40K

External Reflector Color and Trim	Overlap	Trim Flush*
Semi-specular Clear.....	EE-COL.....	EE-CTF
Slightly diffuse Clear.....	EE-VOL.....	EE-VTF
Fully diffuse Clear.....	EE-ECOL.....	EE-ECTF
Black	EE-BOL.....	EE-BTF
White	EE-WOL.....	EE-WTF

Standard reflector flange continues reflector finish. White painted flanges and custom painted flanges are available on special order. Add WF (white flange) or CCF (custom color flange).

*Trim Flush reflector requires the use of a **plaster ring** Accessory (see below).
▶ Reflectors detailed for metal or wood ceilings available on special order.
LightCharms or LightPlate may be ordered instead of the standard reflectors above.

LightCharm Silver Point	LC-SP
LightCharm Opal	LC-O
LightCharm Crystal	LC-C
LightPlate Downlight Spot , white	DP-OL
LightPlate Accent Spot , white	AP-OL
LightPlate Accent Slot , white	AL-OL

Custom painted trims for LightPlate are available on special order. Add -CC

OPTIONS

0° cut downlight reflector	- 0
Remote emergency battery pack including two components – battery pack and plate with test switch and light – to be mounted adjacent to luminaire; for use in accessible ceilings	- RX

EXTRA REFLECTORS

14° internal reflector	-XTM-REF14-50
24° internal reflector	-XTM-REF24-50

ACCESSORIES

Plaster ring allows use of 4 7/8" OD Trim Flush (-TF) reflector in sheetrock ceiling; 5 3/16" dia hole required	-TF RING/4
--	------------

OPTICAL ACCESSORIES *Specify as separate line*

All are 2 3/4" (70mm) diameter. Lenses and filters are glass; screens are aluminum.

diffuse glass	DGS/2.75
prismatic lens (Solite)	PLS/2.75
55° spread lens	LENS/2.75
40° x 70° spread lens	LENS/2.75-4070
beam smoother	(included with fixture)..... CLR/2.75
33% light reduction screen	SCR33/2.75
50% light reduction screen	SCR50/2.75

color filters

surprise pink	PNK/2.75
daylight blue.....	DAY/2.75
amber	AMB/2.75
blue	BLU/2.75
green	GRN/2.75
red	RED/2.75

Downlight Reflectors

Overlap

Trim Flush

Semi-specular Clear	REF-FR-AA-EE-0-COL	REF-FR-AA-EE-0-CTF
Slightly diffuse Clear	REF-FR-AA-EE-0-VOL.....	REF-FR-AA-EE-0-VTF
Fully diffuse Clear	REF-FR-AA-EE-0-ECOL	REF-FR-AA-EE-0-ECTF
Black.....	REF-FR-AA-EE-0-BOL.....	REF-FR-AA-EE-0-BTF
White.....	REF-FR-AA-EE-0-WOL.....	REF-FR-AA-EE-0-WTF

Downlight Conversion

Convert to a downlight in the field. Tilt the heatsink assembly to the vertical then shift it to the center of the aperture. Replace angle-cut reflector with 0°-cut **Downlight Reflector** (see OPTIONS).



See below for photometric reports



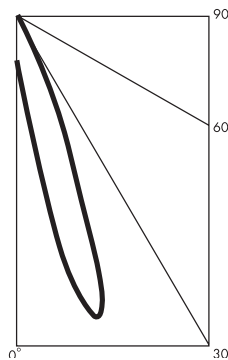
PHOTOMETRIC REPORT with 14° reflector (tested per IESNA LM-79-2008)

UL Verification Services Report No. 1177575. Original test report furnished upon request.

Luminaire recessed LED round accent light with semi-specular clear aluminum reflector, LED aimed at 15° above vertical
 Light Source one white Xicato XTM 9mm LES LED with 14° beam spread integral reflector, 3000K CCT, 80 CRI, 1300 lumens

CANDLEPOWER DISTRIBUTION (Candela)

Vertical Angle	Horizontal Angle				
	0	45	90	135	180
0	1159	1159	1159	1159	1159
5	2534	1738	1051	725	654
15	8905	2173	618	323	128
25	1989	867	175	7	4
35	525	133	5	3	2
45	4	4	3	2	0
55	1	1	2	2	1
65	0	2	2	1	0
75	0	2	1	0	0
85	0	1	0	0	0
90	0	0	0	0	0



LUMINAIRE LIGHT OUTPUT AND EFFICACY

LED Light Engine	Luminaire Light Output	Luminaire CBCP	Luminaire Efficacy (lms/watt)	System Wattage	RX Light Output (90 min. run)
700 Lumens Artist	515*	4907*	31*	15	188*
1000 Lumens Artist	671*	6392*	33*	19	188*
700 Lumens standard & Vibrant	535*	5097*	48*	10	281*
1000 Lumens standard & Vibrant	710*	6765*	43*	15	281*
1300 Lumens standard & Vibrant	938	8935	46	19	281*

*estimated values

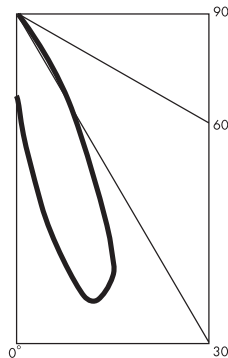
PHOTOMETRIC REPORT with 24° reflector (tested per IESNA LM-79-2008)

UL Verification Services Report No. 1177577. Original test report furnished upon request.

Luminaire recessed LED round accent light with semi-specular clear aluminum reflector, LED aimed at 15° above vertical
 Light Source one white Xicato XTM 9mm LES LED with 24° beam spread integral reflector, 3000K CCT, 80 CRI, 1300 lumens

CANDLEPOWER DISTRIBUTION (Candela)

Vertical Angle	Horizontal Angle				
	0	45	90	135	180
0	1261	1261	1261	1261	1261
5	2282	1807	1136	740	645
15	4726	2007	592	224	87
25	2939	968	128	6	3
35	762	146	5	2	1
45	14	4	1	1	1
55	0	0	0	0	0
65	0	0	0	0	0
75	0	0	0	0	0
85	0	0	0	0	0
90	0	0	0	0	0



LUMINAIRE LIGHT OUTPUT AND EFFICACY

LED Light Engine	Luminaire Light Output	Luminaire CBCP	Luminaire Efficacy (lms/watt)	System Wattage	RX Light Output (90 min. run)
700 Lumens Artist	465*	2628*	31*	15	173*
1000 Lumens Artist	618*	3423*	33*	19	173*
700 Lumens standard & Vibrant	493*	2730*	48*	10	259*
1000 Lumens standard & Vibrant	654*	3623*	43*	15	259*
1300 Lumens standard & Vibrant	864	4785	46	19	259*

*estimated values

STANDARD DMV DRIVER INFORMATION (UL Class 2, dry and damp location)

Voltage	120	277
Input Watts (I07A/L10A/I07S&V/L10S&V/L13S&V)	15/19/10/15/19	15/19/10/15/19
Input Current (A) (I07A/L10A/I07S&V/L10S&V/L13S&V)	.13/.16/.08/.13/.16	.05/.07/.04/.05/.07
Output Current (mA)	350-700	350-700
Min. Power Factor	.99	.99
Operating Temperature Range (F)	-13 to 122	-13 to 122

LIGHT OUTPUT MULTIPLIER

LED Light Engine	Light Output Multiplier	RX Light Output Multiplier
700 Lumens Artist	.55*	.20*
1000 Lumens Artist	.72*	.20*
700 Lumens standard & Vibrant	.57*	.30*
1000 Lumens standard & Vibrant	.76*	.30*
1300 Lumens standard & Vibrant	1	.30*

*estimated values

REFLECTOR COLOR MULTIPLIERS

Semi-specular clear (C)	1
Slightly diffuse clear (V)	.95
Fully diffuse clear (EC)	.88
Champagne gold clear (G)	.95
Black (B)	.49