

WET LOCATION VALUE/4

recessed LED wet location downlight



WET LOCATION - OUTDOOR APPLICATION - WET LOCATION - OUTDOOR APPLICATION - WET LOCATION - OUTDOOR APPLICATION - WET LOCATION

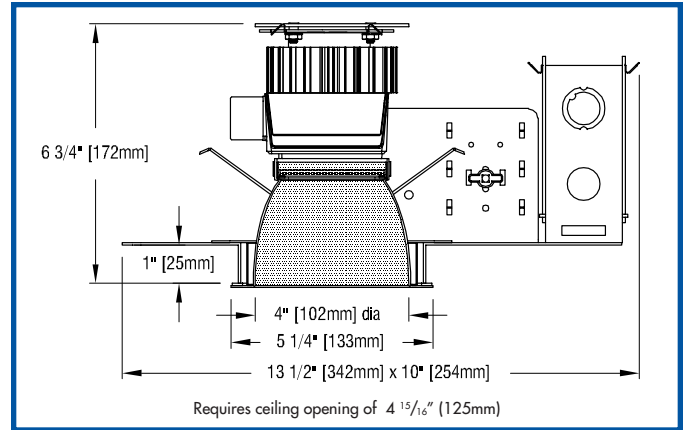
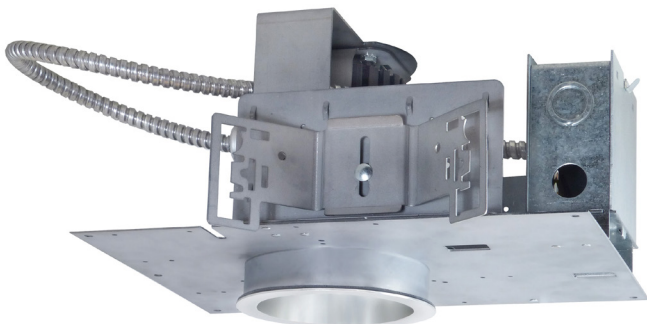
FEATURES

- Wet Location Value/4 is wet location LED downlight.
- Luminaire is powered by a Philips Fortimo DLM 'EaseSelect' driver-embedded LED module. Module produces 3000K, 3500K or 4000K white light at a CRI of 80 and may be dimmed to 1% by a 0-10V dimmer. See tables below for wattages and efficacies.
- Precise reflector design minimizes aperture brightness with a 40° shielding angle. Fixture is only 6 3/4" deep.
- A 5/32" thick plastic prismatic lens protects the LED from a direct spray of water. Reflector assembly is attached to the fixture housing with positive torsion springs that pull the reflector flange tight to the ceiling.
- External reflector is available in three clear natural aluminum finishes — semi-specular (C), slightly diffuse (V) or fully diffuse (EC) — as well as champagne gold, white and black. Other finishes are available on special order.
- Luminaire includes a pair of mounting bars (3/4" x 27" C channel). Specialty bars for wood joist and T-bar installations are also available.
- For more information, [click here](#).

APPLICATIONS

Fixture is recommended for use in spaces where the apertures of recessed downlights may be subject to a direct spray of water.

Fixture is listed for Wet Location with a covered ceiling only. Fixture qualifies for the safety program prescribed by UL991 and CSA22.2, and does not require a thermal protector. Fixture is RoHA compliant and is suitable for 120-volt or 277-volt electrical service. Removal of the reflector allows access to the LED module and junction box.



PRODUCT CODE

For complete product code, list basic unit and select one item from each following box.

Basic Unit SHW-FES-4DL

Light Source Output	
1100 lumens	- L11
1500 lumens	- L15
2000 lumens	- L20

Light Engine Color	
3000K (CRI 80)	30K
3500K (CRI 80)	35K
4000K (CRI 80)	40K

Driver:
LED and driver are integral: luminaire dims to 1% by means of a 0-10V dimmer only.

Reflector Color and Detail	
Semi specular Clear	- COL
Slightly diffuse Clear	- VOL
Fully diffuse Clear	- ECOL
Champagne Gold	- GOL
White	- WOL
Other reflector finishes available on special order.	
Overlap Flange continues reflector finish. White painted flanges and custom painted flanges are available on special order. Add WF (white flange) or CCF (custom color flange).	



PHOTOMETRIC REPORT (tested per IESNA LM-79-2008)

Prorated from (LTL) Report No. 21230 and 21293. Original Luminaire Testing Laboratories, Inc. (LTL) test reports furnished upon request.

Luminaire recessed LED round downlight with aluminum reflector
 Lamp Philips LED Fortimo DLM ES 1100, 3000K CCT
 Lamp Life rated 50,000 hours based on L70/B50 criteria. LM80 report by LED manufacturer furnished upon request
 Spacing Criteria 1.1
 Luminaire light output..... 948 lumens

CANDLEPOWER DISTRIBUTION (Candela)

Vertical Angle	Horizontal Angle
	0
0	654
5	652
15	705
25	684
35	483
45	88
55	2
65	1
75	0
85	0
90	0

LUMINAIRE LIGHT OUTPUT AND EFFICACY

LED Module type	Luminaire Light Output	Luminaire Efficacy (lm/watt)	System Wattage
1100 Lumens 80 CRI (L11S)	948	86	11
1500 Lumens 80 CRI (L15S)	1280*	85*	15
2000 Lumens 80 CRI (L20S)	1555*	78*	20

*estimated values

ZONAL LUMEN SUMMARY

Zone	Lumens	% Fixture
0 - 30°	574	60.6
0 - 40°	866	91.4
0 - 60°	947	99.9
0 - 90°	948	100.0
90 -180°	0	0.0
0 -180°	948	100.0

LUMINANCE DATA

Vertical Angle	Candelam ²
45	14590
55	337
65	174
75	90
85	237

DRIVER INFORMATION *UL Class 2, dry and damp location*

Voltage	120	277
Input Watts (1100/1500/2000 lumens, 3000K)	11/15/20	11/15/20
Input Current (A) (1100/1500/2000 lumens, 3000K)	.09/.09/.17	.04/.04/.08
Min. Power Factor	>0.90	>0.90
Operating Temperature Range (F)	-4 to149	-4 to149

LIGHT OUTPUT MULTIPLIERS

	1100 lumens light output	1500 lumens light output	2000 lumens light output
Standard driver	1	1.35*	1.64*

*estimated values

COLOR MULTIPLIERS

Semi-specular Clear (C)	1
Slightly diffuse Clear (V)	.95
Champagne Gold (G)	.95
Black (B)	.49