

# FOUR HI AA

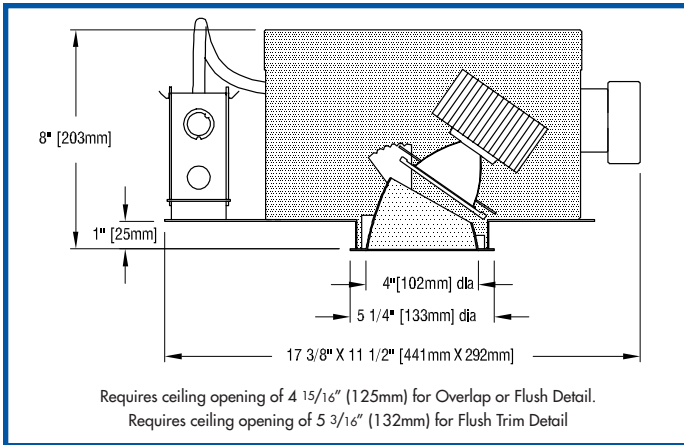
recessed LED accent light



MADE IN USA

[Click here!](#)

FULLY SUSTAINABLE – FULLY SUSTAINABLE – FULLY SUSTAINABLE – FULLY SUSTAINABLE – FULLY SUSTAINABLE – FULLY SUSTAINABLE – FULLY SUSTAINABLE



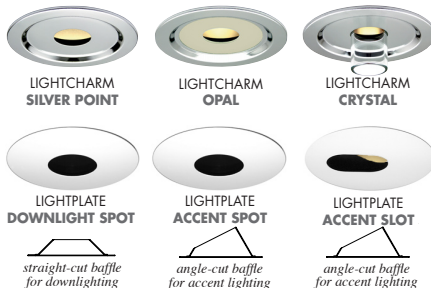
- **FOUR HI AA is a 4" aperture LED accent light.** Luminaire is powered by one of a number of Xicato 19 mm XTM LED modules, distinguished by extraordinary color consistency (within 1x2-step MacAdam ellipse). See tables below for wattages and efficacies. Luminaire may be ordered with one of a number of drivers.
- **Luminaire employs an internal 'twist and lock' reflector** to produce an initial beamspread of 20°, 40° or 60°. To allow beamspread to be changed in installed luminaires, internal reflectors are available as accessories. Precise reflector design minimizes aperture brightness.
- **Luminaire provides 363° horizontal rotation and 0°- 35° angular adjustment** with lockable focus.
- **Luminaire accepts one or two of a number of Optical Accessories** including lenses and color filters. Complimentary beam smoother included.
- **External reflectors are available in clear natural aluminum finishes** — semi-specular (C), slightly diffuse (V) or fully diffuse (EC) — as well as champagne gold, black Alzak® or white. Other finishes available on special order.
- **LightCharms® or LightPlate™ decorative trims may be ordered instead of standard reflectors.**
- **Luminaire includes a pair of mounting bars** (3/4" x 27" C channel). Specialty bars for wood joists and T-bar installations are also available.
- **For more information, [click here](#).**

## APPLICATIONS

Luminaire is listed for Damp Location. Fixture is prewired with an insulation detecting thermal protector. Luminaire approved for eight #12 wire 90° C branch circuit pull through wiring and is suitable for use in a fire rated ceiling. Removal of the external reflector allows access to the LED module and junction box.

## LIGHTCHARMS & LIGHTPLATES

LightCharms and LightPlates may be used instead of standard reflectors.



### SPACING REQUIREMENT

The L30S and L30V model of this luminaire must be spaced 30" apart and 15" from walls, and must have 1/2" clearance above housing.

## PRODUCT CODE

For complete product code, list basic unit and select one item from each following box.

Basic Unit	FH-XTM-4AA
Internal Reflector	
20° initial beamspread	20D
40° initial beamspread	40D
60° initial beamspread	60D
Driver	
dimble to 1% by a 0-10V dimmer on 120 or 277-volt service	DMV
dimble to 5% or 10% (see Light Source Output box below) by either an incandescent or ELV dimmer; 120-volt service only	DMP
Lutron L3D Hi-Lume driver dimmable to 1% by a Lutron 3-wire fluorescent dimmer or EcoSystem Bus Control, on 120-volt or 277-volt service	D3D-LU
eldoLED 0-10V (Logarithmic) driver dimmable to 0.1% with a 0-10V dimmer on 120 or 277-volt service	DVOELG
eldoLED 0-10V (Linear) driver dimmable to 0.1% with a 0-10V dimmer on 120 or 277-volt service	DVOELN
eldoLED driver dimmable to 0.1%, compatible with DAU control system	DA0-EL
Moons' driver dimmable to 0.1%, compatible with DMX controllers	DX0

Light Source Output (Lumens)	
1000L / CRI 98 Artist	DMP (5%) ... L10A
1300L / CRI 98 Artist	DMP (5%) ... L13A
1300L / CRI 80+	DMP (10%) ... L13S
1300L / CRI 80+ Vibrant	3000K only... DMP (10%) ... L13V
1600L / CRI 80+	DMP (5%) ... L16S
1600L / CRI 80+ Vibrant	3000K only... DMP (5%) ... L16V
2100L / CRI 98 Artist	DMP (5%) ... L21A
2100L / CRI 80+	DMP (5%) ... L21S
2100L / CRI 80+ Vibrant	3000K only... DMP (5%) ... L21V
3000L / CRI 80+	see SPACING ... L30S
3000L / CRI 80+ Vibrant	see SPACING ... 3000K only... L30V

Light Color	
2700 K	27K
3000 K	30K
3500 K	35K
4000 K	40K

Voltage	120 volt service	120	277 volt service	277
---------	------------------	-----	------------------	-----

External Reflector Color and Detail	Overlap	Trim Flush*
Semi-specular Clear	COL	CTF
Slightly diffuse Clear	VOL	VTF
Fully diffuse Clear	ECOL	ECTF
Champagne Gold	GOL	GTF
Black	BOL	BTF
White	WOL	WTF

Standard reflector flange continues reflector finish. White painted flanges and custom painted flanges are available on special order. Add WF (white flange) or CCF (custom color flange).  
\*Trim Flush reflector trim requires the use of a plaster ring Accessory (see below).

▶ Reflectors detailed for metal or wood ceilings available on special order.  
LightCharms or LightPlate may be ordered instead of the standard reflectors above.

LightCharm Silver Point	LC-SP
LightCharm Opal	LC-O
LightCharm Crystal	LC-C
LightPlate Downlight Spot, white	DP-OL
LightPlate Accent Spot, white	AP-OL
LightPlate Accent Slot, white	AL-OL
Custom painted trims for LightPlate are available on special order. Add -CC	

## OPTIONS

Specify by adding to the basic unit.

Remote emergency battery pack including two components – battery pack and plate with test switch and light – to be mounted adjacent to fixture; for use in accessible ceilings ... - RX

## ACCESSORIES

Specify as separate line item.

Plaster ring allows use of 4 7/8" OD Trim Flush (TF) reflector in sheetrock ceiling; 5 3/16" dia hole required..... TF RING/4

## EXTRA REFLECTORS

Specify as separate line items.

20° initial beamspread	XTM-REF20-72
40° initial beamspread	XTM-REF40-72
60° initial beamspread	XTM-REF60-70



41-50 22<sup>ND</sup> STREET, LIC NY 11101 TEL 718.685.0700 FAX 718.786.8530 www.epl.com  
U.S. Patent No. US 7,744,256 B2 (June 29, 2010)

©Copyright, Edison Price Lighting 2017

LED O-052 8:17

## OPTICAL ACCESSORIES *Specify as separate line*

All are 3 3/4" (95mm) diameter.  
Lenses and filters are glass; screens are aluminum.

- prismatic lens (Solite) ..... PLS/3.75
- 55° spread lens ..... LENS/3.75
- 40° x 70° spread lens ..... LENS/3.75-4070
- beam smoother (included with fixture) ..... CLR/3.75
- 33% light reduction screen ..... SCR33/3.75
- 50% light reduction screen ..... SCR50/3.75

### color filters

- surprise pink ..... PNK/3.75
- daylight blue ..... DAY/3.75
- amber ..... AMB/3.75
- blue ..... BLU/3.75
- green ..... GRN/3.75
- red ..... RED/3.75



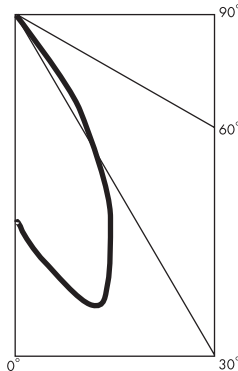
## PHOTOMETRIC REPORT (tested per IESNA LM-79-2008)

Prorated from (LTL) Report No. 192374. Original Luminaire Testing Laboratories, Inc. (LTL) test reports furnished upon request.

Luminaire ..... recessed LED round accent light with semi-specular clear aluminum reflector, LED aimed at 15° above vertical  
Lamp ..... Xicato XTM 19mm LED with 40° beam spread integral reflector, 3000K CCT, 1600 lumens  
Lamp Life ..... rated 50,000 hours based on L70/B50 criteria. LM80 report by LED manufacturer furnished upon request

## CANDLEPOWER DISTRIBUTION (Candela)

Vertical Angle	Horizontal Angle				
	0	22.5	45	67.5	90
0	1965	1965	1965	1965	1965
5	2263	2213	2138	2047	1948
15	2872	2691	2307	1837	1371
25	2083	1826	1380	832	316
35	898	737	374	149	26
45	187	128	38	6	2
55	10	4	2	1	1
65	0	0	0	0	0
75	0	0	0	0	0
85	0	0	0	0	0
90	0	0	0	0	0



## REFLECTOR COLOR MULTIPLIERS

Semi-specular clear (C)	1
Slightly diffuse clear (V)	.95
Fully diffuse clear (EC)	.88
Champagne gold clear (G)	.95
Black (B)	.49

## STANDARD DMV DRIVER INFORMATION *UL Class 2, dry and damp location*

Voltage	120	277
Input Watts (L10A/L13A/L21A/L13S&V/L16S&V/L21S&V/L30S&V lumens)	17/22/30/17/19/25/33	17/22/30/17/19/25/33
Input Current (A) (L10A/L13A/L21A/L13S&V/L16S&V/L21S&V/L30S&V lumens)	.14/.18/.25/.14/.16/.21/.28	.06/.08/.11/.06/.07/.09/.12
Output Current (mA)	500-800	500-800
Min. Power Factor	>0.9	>0.9
Operating Temperature Range (F)	-4 to 122	-4 to 122

## LUMINAIRE LIGHT OUTPUT AND EFFICACY (40° beam spread integral reflector)

LED Light Engine	Luminaire Light Output	Luminaire Efficacy (lms/watt)	System Wattage	EM Light Output (90 min. run)
1000 Lumens Artist	658*	38*	17	346*
1300 Lumens Artist	877*	41*	22	346*
2100 Lumens Artist	1429*	48*	30	378*
1300 Lumens standard & Vibrant	886*	53*	17	356*
1600 Lumens standard & Vibrant	1084	57	19	400*
2100 Lumens standard & Vibrant	1402*	55*	25	400*
3000 Lumens standard & Vibrant	1939*	58*	33	378*

\*estimated values

## LIGHT OUTPUT MULTIPLIER

LED Light Engine	Light Output Multiplier	EM Light Output Multiplier (90-minute run)
1000 Lumens Artist	.61*	.32*
1300 Lumens Artist	.81*	.32*
2100 Lumens Artist	1.32*	.35*
1300 Lumens standard & Vibrant	.82*	.33*
1600 Lumens standard & Vibrant	1	.37*
2100 Lumens standard & Vibrant	1.30*	.37*
3000 Lumens standard & Vibrant	1.80*	.35*

\*estimated values