

# FOUR HI AA NSP

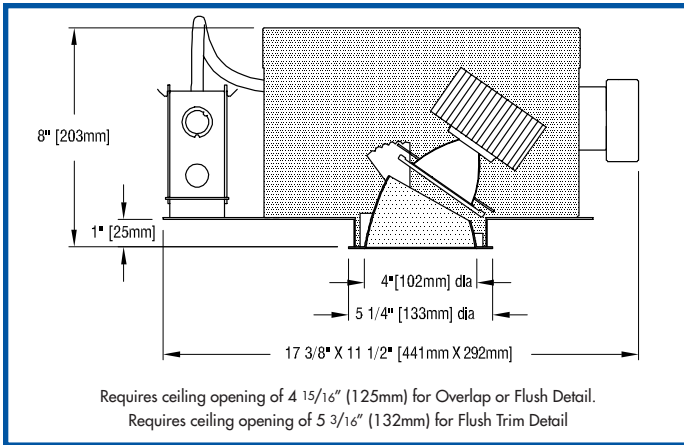
recessed LED narrow spot accent light



MADE IN USA

[Click here!](#)

FULLY SUSTAINABLE - FULLY SUSTAINABLE - FULLY SUSTAINABLE - FULLY SUSTAINABLE - FULLY SUSTAINABLE - FULLY SUSTAINABLE - FULLY SUSTAINABLE



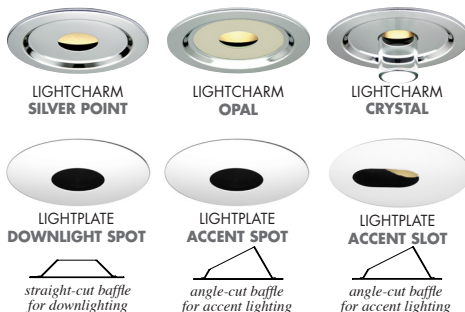
- **FOUR HI AA NSP is a 4" aperture LED narrow spot accent light.** Luminaire is powered by one of a number of Xicato XTM (9mm) LED modules, distinguished by extraordinary color consistency (within 1x2-step MacAdam ellipse). See tables below for wattages and efficacies. Luminaire may be ordered with one of a number of drivers.
- **External reflector is cut at a 35° angle.** Luminaire provides 362° horizontal rotation and 0°-35° angular adjustment. Once focused, adjustment may be locked by means of a thumb screw and a wing nut.
- **Luminaire employs an internal 'twist and lock' reflector** to produce an initial beamspread of 10° or 24°. To allow beamspread to be changed in installed luminaires, internal reflectors are available as accessories.
- **Luminaire accepts one or two of a number of Optical Accessories** including lenses and filters. A complimentary glass 'beam smoother' is included.
- **External reflector are available in clear natural aluminum finishes** — semi-specular (C), slightly diffuse (V) or fully diffuse (EC) — as well as champagne gold, black Alzak® or white. Other finishes available on special order.
- **LightCharms® or LightPlate™ decorative trims may be ordered instead of standard reflectors.**
- **Luminaire may be converted to a downlight in the field** by re-setting the angular adjustment yoke and replacing the standard external reflector with an optional 0° cut reflector.
- **Luminaire includes a pair of mounting bars** (3/4" x 27" C channel). Specialty bars for wood joists and T-bar installations are also available.
- **For more information, [click here.](#)**

## APPLICATIONS

Luminaire is listed for Damp Location. Fixture is prewired with an insulation detecting thermal protector. Luminaire approved for eight #12 wire 90° C branch circuit pull through wiring and is suitable for use in a fire rated ceiling. Removal of the external reflector allows access to the LED module and junction box.

## LIGHTCHARMS & LIGHTPLATES

LightCharms and LightPlates may be used instead of standard reflectors.



## PRODUCT CODE

For complete product code, list basic unit and select one item from each following box.

Basic Unit .....	FH-XTS-4AA
Internal Reflector	
10° initial beamspread .....	10D
24° initial beamspread .....	24D
Driver	
dimmable to 1% by a 0-10V dimmer on 120 or 277-volt service .....	DMV
dimmable to 5% by either an incandescent or ELV dimmer;	
120-volt service only .....	DMP
Lutron L3D Hi-Lume driver dimmable to 1% by a Lutron 3-wire fluorescent dimmer or EcoSystem Bus Control, on 120-volt or 277-volt service .....	D3D-LU
eldoLED 0-10V (Logarithmic) driver dimmable to 0.1% with a 0-10V dimmer on 120 or 277-volt service .....	DVOELG
eldoLED 0-10V (Linear) driver dimmable to 0.1% with a 0-10V dimmer on 120 or 277-volt service .....	DVOELN
eldoLED driver dimmable to 0.1%, compatible with DALI control system .....	DA0-EL
Moons' driver dimmable to 0.1%, compatible with DMX controllers .....	DX0
Light Source Output (Lumens)	
700L / CRI 98 Artist .....	L07A
1000L / CRI 98 Artist .....	L10A
1000L / CRI 80+ .....	L10S
1000L / CRI 80+ Vibrant .....	L10V
1300L / CRI 98 Artist .....	L13A
1300L / CRI 80+ .....	L13S
1300L / CRI 80+ Vibrant .....	L13V
1800L / CRI 80+ .....	L18S
1800L / CRI 80+ Vibrant .....	L18V
Light Color	
2700 K .....	27K
3000 K .....	30K
3500 K .....	35K
4000 K .....	40K
Voltage	120 volt service..... 120 277 volt service..... - 277

External Reflector Color and Detail	Overlap	Trim Flush*
Semi-specular Clear .....	COL .....	CTF
Slightly diffuse Clear .....	VOL .....	VTF
Fully diffuse Clear .....	ECOL .....	ECTF
Champagne Gold .....	GOL .....	GTF
Black .....	BOL .....	BTF
White .....	WOL .....	WTF

Standard reflector flange continues reflector finish. White painted flanges and custom painted flanges are available on special order. Add WF (white flange) or CCF (custom color flange).  
\*Trim Flush reflector trim requires the use of a plaster ring Accessory (see below).  
▶ Reflectors detailed for metal or wood ceilings available on special order.  
LightCharms or LightPlate may be ordered instead of the standard reflectors above.

LightCharm Silver Point .....	LC-SP
LightCharm Opal .....	LC-O
LightCharm Crystal .....	LC-C
LightPlate Downlight Spot, white .....	DP-OL .....
LightPlate Accent Spot, white .....	AP-OL .....
LightPlate Accent Slot, white .....	AL-OL .....

Custom painted trims for LightPlate are available on special order. Add -CC

## OPTIONS Specify by adding to the basic unit.

0° cut downlight reflector .....	0
Remote emergency battery pack including two components – battery pack and plate with test switch and light – to be mounted adjacent to fixture; for use in accessible ceilings .....	- RX

## ACCESSORIES Specify as separate line item.

Plaster ring allows use of 4 7/8" OD Trim Flush (TF) reflector in sheetrock ceiling. 5 3/16" dia hole required.....	TF RING/4
---	-----------

## EXTRA REFLECTORS Specify as separate line items.

10° initial beamspread .....	XTM-REF10-70
24° initial beamspread .....	XTM-REF24-70



41-50 22<sup>ND</sup> STREET, LIC NY 11101 TEL 718.685.0700 FAX 718.786.8530 www.epl.com  
U.S. Patent No. US 7,744,256 B2 (June 29, 2010)

©Copyright, Edison Price Lighting 2017

LED O-053 8:17

## PHOTOMETRIC REPORT with 10° reflector (tested per IESNA LM-79-2008)

Verification Services Report No. 11480921.01. Original test report furnished upon request.

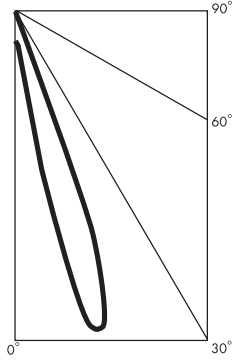
Luminaire ..... recessed LED round accent light with semi-specular clear aluminum reflector, LED aimed at 15° above vertical

Lamp ..... Xicato XTM 9mm LED with 10° beam spread integral reflector, 3000K CCT, 1300 lumens



### CANDLEPOWER DISTRIBUTION (Candela)

Vertical Angle	Horizontal Angle				
	0	22.5	45	67.5	90
0	893	893	893	893	893
5	1638	1639	1232	972	875
15	15980	5947	1099	608	534
25	1385	678	498	301	17
35	45	21	11	8	5
45	4	4	3	3	2
55	1	1	2	2	2
65	1	1	1	1	1
75	1	1	1	1	1
85	0	1	1	1	1
90	0	0	0	0	0



### LUMINAIRE LIGHT OUTPUT AND EFFICACY

LED Light Engine	Luminaire Light Output	Luminaire CBCP	Luminaire Efficacy (lms/watt)	System Wattage	RX Light Output (90 min. run)
700 Lumens Artist	452*	8788*	30*	15	90*
1000 Lumens Artist	592*	11,505*	29*	21	118*
1300 Lumens Artist	814*	15,819*	26*	32	163*
1000 Lumens standard & Vibrant	625*	12,144*	42*	15	188*
1300 Lumens standard & Vibrant	822	15,980	40	21	247*
1800 Lumens standard & Vibrant	1127*	21,891*	33*	34	338*

\*estimated values

## PHOTOMETRIC REPORT with 24° reflector (tested per IESNA LM-79-2008)

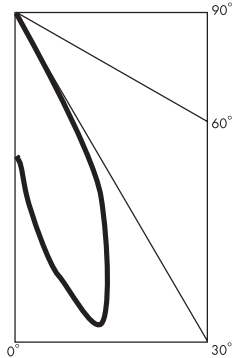
Verification Services Report No. 11480921.03. Original test report furnished upon request.

Luminaire ..... recessed LED round accent light with semi-specular clear aluminum reflector, LED aimed at 15° above vertical

Lamp ..... Xicato XTM 9mm LED with 24° beam spread integral reflector, 3000K CCT, 1300 lumens

### CANDLEPOWER DISTRIBUTION (Candela)

Vertical Angle	Horizontal Angle				
	0	22.5	45	67.5	90
0	1583	1583	1583	1583	1583
5	2697	2638	2247	1797	1436
15	4171	3672	2228	1002	578
25	2705	1781	710	295	15
35	211	58	11	7	5
45	5	4	3	2	2
55	1	1	2	1	2
65	1	1	1	1	1
75	1	1	0	0	0
85	0	0	0	0	0
90	0	0	0	0	0



### LUMINAIRE LIGHT OUTPUT AND EFFICACY

LED Light Engine	Luminaire Light Output	Luminaire CBCP	Luminaire Efficacy (lms/watt)	System Wattage	RX Light Output (90 min. run)
700 Lumens Artist	428*	2294*	29*	15	86*
1000 Lumens Artist	560*	3003*	27*	21	112*
1300 Lumens Artist	770*	4129*	24*	32	154*
1000 Lumens standard & Vibrant	591*	3170*	39*	15	177*
1300 Lumens standard & Vibrant	778	4171	38	21	233*
1800 Lumens standard & Vibrant	1066*	5714*	32*	34	320*

\*estimated values

### STANDARD DMV DRIVER INFORMATION (UL Class 2, dry and damp location)

Voltage	120	277
Input Watts (L07A/L10A/L13A/L10S <sup>Δ</sup> V/L13S <sup>Δ</sup> V/L18S <sup>Δ</sup> V)	15/21/32/15/21/34	15/21/32/15/21/34
Input Current (A) (L07A/L10A/L13A/L10S <sup>Δ</sup> V/L13S <sup>Δ</sup> V/L18S <sup>Δ</sup> V)	.13/.18/.27/.13/.18/.28	.05/.08/.12/.05/.08/.12
Output Current (mA)	500–1050	500–1050
Min. Power Factor	>0.9	>0.9
Operating Temperature Range (F)	–4 to 122	–4 to 122

### LIGHT OUTPUT MULTIPLIER

LED Light Engine	Light Output Multiplier	RX Light Output Multiplier
700 Lumens Artist	.55*	.2*
1000 Lumens Artist	.72*	.2*
1300 Lumens Artist	.99*	.2*
1000 Lumens standard & Vibrant	.76*	.3*
1300 Lumens standard & Vibrant	1	.3*
1800 Lumens standard & Vibrant	1.37*	.3*

\*estimated values

### REFLECTOR COLOR MULTIPLIERS

Semi-specular clear (C)	1
Slightly diffuse clear (V)	.95
Fully diffuse clear (EC)	.88
Champagne gold clear (G)	.95
Black (B)	.49