

FIVE HI AA

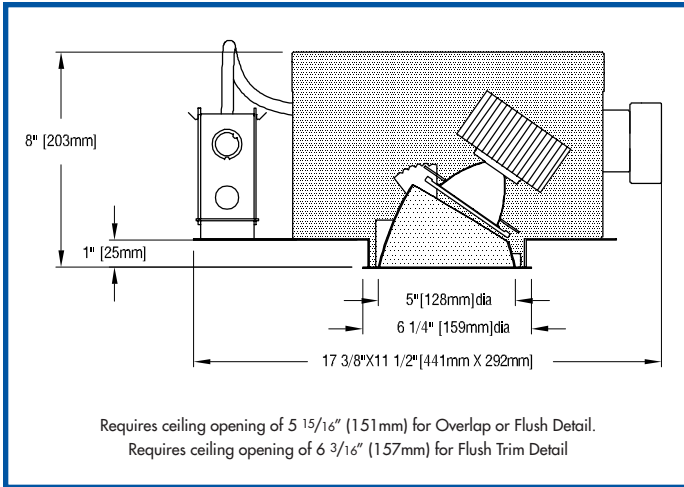
recessed LED accent light



MADE IN USA

Visit our factory!

FULLY SUSTAINABLE – FULLY SUSTAINABLE – FULLY SUSTAINABLE – FULLY SUSTAINABLE – FULLY SUSTAINABLE – FULLY SUSTAINABLE – FULLY SUSTAINABLE



FEATURES

- **FIVE HI AA is a 5" aperture LED accent light.** Luminaire is powered by one of a number of Xicato 19 mm XTM LED modules, distinguished by color consistency (within 1x2-step MacAdam ellipse). See tables below for wattages and efficacies. Luminaire may be ordered with one of a number of drivers.
- **Luminaire employs an internal 'twist and lock' reflector** to produce an initial beamspread of 20°, 40° or 60°. To allow beamspread to be changed in installed luminaires, internal reflectors are available as accessories. Precise reflector design minimizes aperture brightness.
- **Luminaire provides 363° horizontal rotation and 0°- 35° angular adjustment** with lockable focus.
- **Luminaire accepts one or two of a number of Optical Accessories** including lenses and color filters. Complimentary glass beam smoother included.
- **External reflectors are available in clear natural aluminum finishes** — semi-specular (C), slightly diffuse (V) or fully diffuse (EC) — or champagne gold, black Alzak® or white. Other finishes available on special order.
- **Luminaire includes a pair of mounting bars** (3/4" x 27" C channel). Specialty bars for wood joists and T-bar installations are also available.
- **For more information, [click here](#).**

APPLICATIONS

Luminaire is listed for Damp Location. Fixture is prewired with an insulation detecting thermal protector. Luminaire approved for eight #12 wire 90° C branch circuit pull through wiring and is suitable for use in a fire rated ceiling. Removal of external reflector allows access to LED and junction box.



SPACING REQUIREMENT

Six models – L27A, L30A, L30S, L30V, L40S and L40V – must be spaced 30" apart (O.C.) and 15" from walls, and must have 1/2" clearance above housing.

PRODUCT CODE

For complete product code, list basic unit and select one item from each following box.

Basic Unit	FH-XTM-5AA
Internal Reflector	
20° initial beamspread	20D
40° initial beamspread	40D
60° initial beamspread	60D
Driver	
dimble to 1% by a 0-10V dimmer on 120 or 277-volt service	DMV
dimble to 5% or 10% (see Light Source Output box below) by either an incandescent or ELV dimmer; 120-volt service only	DMP
Lutron L3D Hi-Lume driver dimmable to 1% by a Lutron 3-wire fluorescent dimmer or EcoSystem Bus Control, on 120-volt or 277-volt service	D3D-LU
eldoLED 0-10V (Logarithmic) driver dimmable to 0.1% with a 0-10V dimmer on 120 or 277-volt service	DVOELG
eldoLED 0-10V (Linear) driver dimmable to 0.1% with a 0-10V dimmer on 120 or 277-volt service	DVOELN
eldoLED driver dimmable to 0.1%, compatible with DALI control system	DA0-EL
Moons' driver dimmable to 0.1%, compatible with DMX controllers	DX0

Light Source Output (Lumens)

1000L / CRI 98 Artist	DMP (5%)	L10A
1300L / CRI 98 Artist	DMP (5%)	L13A
1300L / CRI 80+	DMP (10%)	L13S
1300L / CRI 80+ Vibrant	3000K only	L13V
1600L / CRI 80+	DMP (5%)	L16S
1600L / CRI 80+ Vibrant	3000K only	L16V
2100L / CRI 98 Artist	DMP (5%)	L21A
2100L / CRI 80+	DMP (5%)	L21S
2100L / CRI 80+ Vibrant	3000K only	L21V
2700L / CRI 98 Artist	see SPACING	L27A
3000L / CRI 98 Artist	see SPACING	L30A
3000L / CRI 80+	see SPACING	L30S
3000L / CRI 80+ Vibrant	3000K only	L30V
4000L / CRI 80+	see SPACING	L40S
4000L / CRI 80+ Vibrant	3000K only	L40V

Light Color

2700 K	27K
3000 K	30K
3500 K	35K
4000 K	40K

Voltage

120 volt service	120
277 volt service	277

Reflector Color and Detail

	Overlap	Trim Flush*
Semi-specular Clear	COL	CTF
Slightly diffuse Clear	VOL	VTF
Fully diffuse Clear	ECOL	ECTF
Champagne Gold	GOL	GTF
Black	BOL	BTF
White	WOL	WTF

Standard reflector flange continues reflector finish. White painted flanges and custom painted flanges are available on special order. Add WF (white flange) or CCF (custom color flange).

*Trim Flush reflector trim requires the use of a plaster ring Accessory (see below).

► Reflectors detailed for metal or wood ceilings available on special order.

OPTIONS

Specify by adding to the basic unit.

Remote emergency battery pack including two components – battery pack and plate with test switch and light – to be mounted adjacent to fixture; for use in accessible ceilings	RX
---	----

EXTRA REFLECTORS

Specify as separate line items.

20° initial beamspread	XTM-REF20-72
40° initial beamspread	XTM-REF40-72
60° initial beamspread	XTM-REF60-70

ACCESSORIES

Specify as separate line item.

Plaster ring allows use of 5 7/8" OD Trim Flush (TF) reflector in sheetrock ceiling; 6 3/16" dia hole required	TF RING/5
---	-----------



41-50 22ND STREET, LIC NY 11101 TEL 718.685.0700 FAX 718.786.8530 www.epl.com
U.S. Patent No. US 7,744,256 B2 (June 29, 2010)

©Copyright, Edison Price Lighting 2016

LED 0057 11:16

OPTICAL ACCESSORIES *Specify as separate line*

All are 3 3/4" (95mm) diameter. Lenses and filters are glass; screens are aluminum.

prismatic lens (Solite)	PLS/3.75	color filters	surprise pink	PNK/3.75
55° spread lens	LENS/3.75	daylight blue.....	DAY/3.75	
40° x 70° spread lens	LENS/3.75-4070	amber	AMB/3.75	
beam smoother (included with fixture)	CLR/3.75	blue	BLU/3.75	
33% light reduction screen	SCR33/3.75	green	GRN/3.75	
50% light reduction screen	SCR50/3.75	red	RED/3.75	

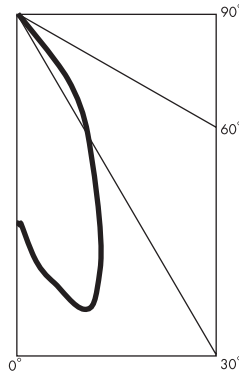
PHOTOMETRIC REPORT (tested per IESNA LM-79-2008)

Data prorated from **LTL** Report No. 192258. Original Luminaire Testing Laboratories, Inc. (LTL) test reports furnished upon request.

Luminaire recessed LED round accent light with semi-specular clear aluminum reflector, LED aimed at 15° above vertical
 Lamp Xicato 19mm XTM LED with 40° beam spread integral reflector, 3000K CCT, 3000 lumens
 Lamp Life rated 50,000 hours based on L70/B50 criteria. LM80 report by LED manufacturer furnished upon request

CANDLEPOWER DISTRIBUTION (Candela)

Vertical Angle	Horizontal Angle				
	0	22.5	45	67.5	90
0	4267	4267	4267	4267	4267
5	5332	5268	4930	4504	4142
15	6207	5566	4341	3292	2762
25	3936	3408	2726	2116	1158
35	2093	1661	921	302	48
45	397	252	69	13	3
55	20	6	3	2	2
65	0	0	0	1	0
75	0	0	0	0	0
85	0	0	0	0	0
90	0	0	0	0	0



REFLECTOR COLOR MULTIPLIERS

Semi-specular clear (C)	1
Slightly diffuse clear (V)	.95
Fully diffuse clear (EC)	.88
Champagne gold clear (G)	.95
Black (B)	.49

STANDARD (0-10V DIMMING) DRIVER INFORMATION *UL Class 2, dry and damp location*

Voltage	120	277
Input Watts (L10A/L13A/L21A/L27A/L30A/L13S&V/L16S&V/L21S&V/L30S&V/L40S&V lumens)	17/22/30/38/43/17/19/25/33/45	17/22/30/38/43/17/19/25/33/45
Input Current (A) (L10A/L13A/L21A/L27A/L30A/L13S&V/L16S&V/L21S&V/L30S&V/L40S&V lumens)	.14/.18/.25/.32/.36/.14/.16/.21/.28/.38	.06/.08/.11/.14/.16/.06/.07/.09/.12/.16
Output Current (mA)	500-1100	500-1100
Min. Power Factor	>0.9	>0.9
Operating Temperature Range (F)	-4 to 122	-4 to 122

LUMINAIRE LIGHT OUTPUT AND EFFICACY

(40° beam spread integral reflector)

LED Light Engine	Luminaire Light Output	Luminaire Efficacy (lms/watt)	System Wattage	RM Light Output (90 min. run)
1000 Lumens Artist	793*	46*	17	416*
1300 Lumens Artist	1055*	49*	22	416*
2100 Lumens Artist	1720*	58*	30	456*
2700 Lumens Artist	2089*	54*	38	456*
3000 Lumens Artist	2272*	53*	43	456*
1300 Lumens standard & Vibrant	1068*	64*	17	429*
1600 Lumens standard & Vibrant	1302*	69*	19	482*
2100 Lumens standard & Vibrant	1688*	67*	25	482*
3000 Lumens standard & Vibrant	2348	70	33	456*
4000 Lumens standard & Vibrant	2937*	66*	45	456*

*estimated values

LIGHT OUTPUT MULTIPLIER

LED Light Engine	Light Output Multiplier	REM Light Output Multiplier (90-minute run)
1000 Lumens Artist	.34*	.18*
1300 Lumens Artist	.45*	.18*
2100 Lumens Artist	.74*	.19*
2700 Lumens Artist	.89*	.19*
3000 Lumens Artist	.97*	.19*
1300 Lumens standard & Vibrant	.46*	.18*
1600 Lumens standard & Vibrant	.56*	.21*
2100 Lumens standard & Vibrant	.72*	.21*
3000 Lumens standard & Vibrant	1	.19*
4000 Lumens standard & Vibrant	1.25*	.19*

*estimated values