

# FIVE HI AA NSP

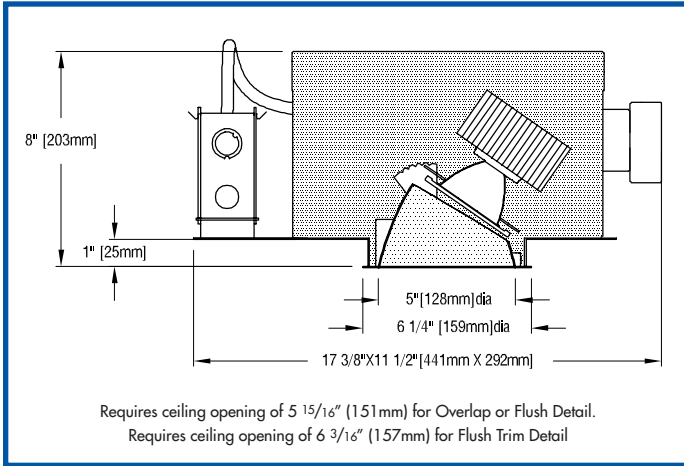
recessed LED narrow spot accent light



MADE IN USA

[Click here!](#)

FULLY SUSTAINABLE – FULLY SUSTAINABLE – FULLY SUSTAINABLE – FULLY SUSTAINABLE – FULLY SUSTAINABLE – FULLY SUSTAINABLE – FULLY SUSTAINABLE



## FEATURES

- **FIVE HI AA NSP is a 5" aperture LED narrow spot accent light.** Luminaire is powered by one of a number of Xicato 19 mm XTM LED modules, distinguished by color consistency (within 1x2-step MacAdam ellipse). See tables below for wattages and efficacies. Luminaire may be ordered with one of a number of drivers.
- **Luminaire employs an internal 'twist and lock' reflector** to produce an initial beamspread of 10° or 24°. To allow beamspread to be changed in installed luminaires, internal reflectors are available as accessories.
- **Luminaire provides 362° horizontal rotation and 0°-35° angular adjustment** with lockable focus.
- **Luminaire accepts one or two of a number of Optical Accessories** including lenses and color filters. A complimentary glass 'beam smoother' is included.
- **External reflector are available in three clear natural aluminum finishes** — semi-specular (C), slightly diffuse (V) or fully diffuse (EC) — as well as champagne gold, black Alzak® or white. Other finishes available on special order.
- **Luminaire may be converted to a downlight** in the field by re-setting the angular adjustment yoke and replacing the standard external reflector with an optional 0° cut reflector.
- **Luminaire includes a pair of mounting bars** (3/4" x 27" C channel). Specialty bars for wood joists and T-bar installations are also available.
- **For more information, [click here](#).**

## APPLICATIONS

Luminaire is listed for Damp Location. Fixture is prewired with an insulation detecting thermal protector. Luminaire approved for eight #12 wire 90° C branch circuit pull through wiring and is suitable for use in a fire rated ceiling. Removal of the external reflector allows access to the LED module and junction box.



## PRODUCT CODE

For complete product code, list basic unit and select one item from each following box.

Basic Unit .....	FH-XTS-5AA
Internal Reflector	
10° initial beamspread .....	- 10D
24° initial beamspread .....	- 24D
Driver	
dimmable to 1% by a 0-10V dimmer on 120 or 277-volt service .....	- DMV
dimmable to 5% (see Light Source Output box below) by either an incandescent or ELV dimmer; 120-volt service only .....	- DMP
Lutron L3D Hi-Lume driver dimmable to 1% by a Lutron 3-wire fluorescent dimmer or EcoSystem Bus Control, on 120-volt or 277-volt service .....	- D3D-LU
eldoLED 0-10V (Logarithmic) driver dimmable to 0.1% with a 0-10V dimmer on 120 or 277-volt service .....	- DV0ELG
eldoLED 0-10V (Linear) driver dimmable to 0.1% with a 0-10V dimmer on 120 or 277-volt service .....	- DV0ELN
eldoLED driver dimmable to 0.1%, compatible with DALI control system .....	- DA0-EL
Moons' driver dimmable to 0.1%, compatible with DMX controllers .....	- DX0

Light Source Output (Lumens)	
700 lumens / CRI 98 Artist.....	DMP..... - L07A
1000 lumens / CRI 98 Artist.....	DMP..... - L10A
1000 lumens / CRI 80+ .....	DMP..... - L10S
1000 lumens / CRI 80+ Vibrant.....	3000K only..... DMP..... - L10V
1300 lumens / CRI 98 Artist.....	DMP..... - L13A
1300 lumens / CRI 80+ .....	DMP..... - L13S
1300 lumens / CRI 80+ Vibrant.....	3000K only..... DMP..... - L13V
1800 lumens / CRI 98 Artist.....	..... - L18A
2000 lumens / CRI 80+ .....	DMP..... - L20S
2000 lumens / CRI 80+ Vibrant.....	3000K only ..... DMP..... - L20V

Light Color	
2700 K.....	- 27K
3000 K.....	- 30K
3500 K.....	- 35K
4000 K.....	- 40K

Voltage	
120 volt service .....	- 120
277 volt service .....	- 277

External Reflector Color and Detail	Overlap	Trim Flush*
Semi-specular Clear .....	COL .....	CTF
Slightly diffuse Clear .....	VOL .....	VTF
Fully diffuse Clear .....	ECOL .....	ECTF
Champagne Gold .....	GOL .....	GTF
Black .....	BOL .....	BTF
White .....	WOL.....	WTF

Standard reflector flange continues reflector finish. White painted flanges and custom painted flanges are available on special order. Add WF (white flange) or CCF (custom color flange).  
\*Trim Flush reflector trim requires the use of a plaster ring Accessory (see below).  
▶ Reflectors detailed for metal or wood ceilings available on special order.

## OPTIONS

Specify by adding to the basic unit.

0° cut downlight reflector .....	- 0
Remote emergency battery pack including two components – battery pack and plate with test switch and light – to be mounted adjacent to fixture; for use in accessible ceilings .....	- RX

## ACCESSORIES

Specify as separate line item.

Plaster ring allows use of 5 7/8" OD Trim Flush (-TF) reflector in sheetrock ceiling: 6 3/16" dia hole required .....	- TF RING/5
---	-------------

## EXTRA REFLECTORS

Specify as separate line items.

10° initial beamspread .....	XTM-REF10-70
24° initial beamspread .....	XTM-REF24-70



41-50 22<sup>ND</sup> STREET, LIC NY 11101 TEL 718.685.0700 FAX 718.786.8530 www.epl.com  
U.S. Patent No. US 7,744,256 B2 (June 29, 2010)

©Copyright, Edison Price Lighting 2016

LED 0058 11:16

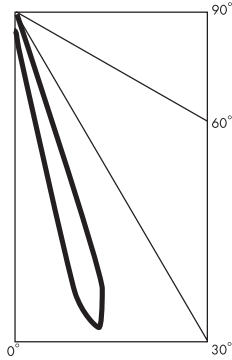
## PHOTOMETRIC REPORT with 10° reflector (tested per IESNA LM-79-2008)

Verification Services Report No. 11480921.04. Original test report furnished upon request.

Luminaire ..... recessed LED round accent light with semi-specular clear aluminum reflector, LED aimed at 15° above vertical  
 Lamp ..... Xicato XTM 9mm LED with 10° beam spread integral reflector, 2000K CCT, 2000 lumens

### CANDLEPOWER DISTRIBUTION (Candela)

Vertical Angle	Horizontal Angle				
	0	22.5	45	67.5	90
0	1322	1322	1322	1322	1322
5	2302	2135	1836	1611	1523
15	26920	10954	3621	1163	1016
25	2270	1353	993	693	600
35	47	39	30	25	14
45	4	4	4	4	5
55	1	1	1	1	2
65	0	0	0	1	1
75	0	0	0	0	0
85	0	0	0	0	0
90	0	0	0	0	0



### LUMINAIRE LIGHT OUTPUT AND EFFICACY

LED Light Engine	Luminaire Light Output	Luminaire CBCP	Luminaire Efficacy (lms/watt)	System Wattage	RX Light Output (90 min. run)
700 Lumens Artist	579*	9692*	39*	15	122*
1000 Lumens Artist	756*	12,653*	26*	21	159*
1300 Lumens Artist	1061*	17,769*	33*	32	223*
1800 Lumens Artist	1416*	23,691*	30*	47	241*
1000 Lumens standard & Vibrant	805*	13,461*	54*	15	169*
1300 Lumens standard & Vibrant	1062*	17,769*	51*	21	223*
2000 Lumens standard & Vibrant	1609	26,922	43	37	322*

\*estimated values

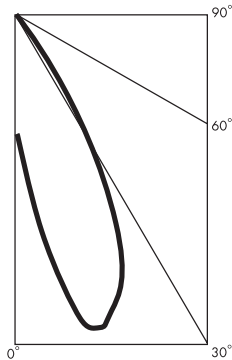
## PHOTOMETRIC REPORT with 24° reflector (tested per IESNA LM-79-2008)

Verification Services Report No. 11480921.02. Original test report furnished upon request.

Luminaire ..... recessed LED round accent light with semi-specular clear aluminum reflector, LED aimed at 15° above vertical  
 Lamp ..... Xicato XTM 9mm LED with 24° beam spread integral reflector, 2000K CCT, 2000 lumens

### CANDLEPOWER DISTRIBUTION (Candela)

Vertical Angle	Horizontal Angle				
	0	22.5	45	67.5	90
0	1774	1774	1774	1774	1774
5	2952	2841	2566	2150	1832
15	5319	4547	3027	1763	1072
25	4063	2864	1572	892	484
35	863	464	180	56	10
45	5	5	4	4	4
55	1	1	1	2	2
65	1	1	1	1	1
75	0	0	0	0	0
85	0	0	0	0	0
90	0	0	0	0	0



### LUMINAIRE LIGHT OUTPUT AND EFFICACY

LED Light Engine	Luminaire Light Output	Luminaire CBCP	Luminaire Efficacy (lms/watt)	System Wattage	RX Light Output (90 min. run)
700 Lumens Artist	479*	1915*	32*	15	101*
1000 Lumens Artist	626*	2500*	30*	21	131*
1300 Lumens Artist	878*	3511*	28*	32	184*
1800 Lumens Artist	1171*	4681*	25*	47	199*
1000 Lumens standard & Vibrant	666*	2660*	44*	15	140*
1300 Lumens standard & Vibrant	878*	3511*	42*	21	184*
2000 Lumens standard & Vibrant	1331	5319	36	37	266*

\*estimated values

### STANDARD DMV DRIVER INFORMATION (UL Class 2, dry and damp location)

Voltage	120	277
Input Watts (L07A/L10A/L13A/L18A/L10S*V/L13S*V/L20S*V)	15/21/32/47/15/21/37	15/21/32/47/15/21/37
Input Current (A) (L07A/L10A/L13A/L18A/L10S*V/L13S*V/L20S*V)	.13/.17/.27/.39/.13/.17/.31	.05/.07/.11/.17/.05/.07/.14
Output Current (mA)	500-1250	500-1250
Min. Power Factor	>0.9	>0.9
Operating Temperature Range (F)	-4 to 122	-4 to 122

### LIGHT OUTPUT MULTIPLIER

LED Light Engine	Light Output Multiplier	RX Light Output Multiplier
700 Lumens Artist	.36*	.21*
1000 Lumens Artist	.47*	.21*
1300 Lumens Artist	.66*	.21*
1800 Lumens Artist	.86*	.17*
1000 Lumens standard & Vibrant	.5*	.21*
1300 Lumens standard & Vibrant	.66*	.21*
2000 Lumens standard & Vibrant	1	.20*

\*estimated values

### REFLECTOR COLOR MULTIPLIERS

Semi-specular clear (C)	1
Slightly diffuse clear (V)	.95
Fully diffuse clear (EC)	.88
Champagne gold clear (G)	.95
Black (B)	.49