

LED FTF WL/4 7DAY

recessed **quick ship** LED wallwasher



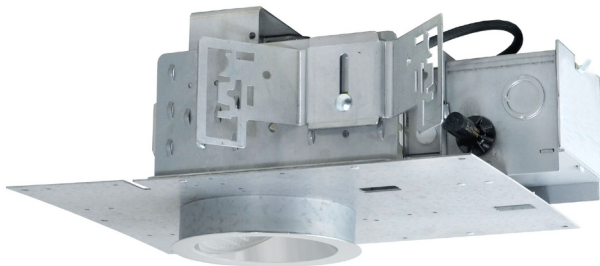
FULLY SUSTAINABLE - FULLY SUSTAINABLE - FULLY SUSTAINABLE - FULLY SUSTAINABLE - FULLY SUSTAINABLE - FULLY SUSTAINABLE - FULLY SUSTAINABLE

FEATURES

- LED FTF WL/4 7DAY is a Quick Ship 4" aperture LED lensed wallwasher.
- Luminaire is powered by an integral Philips DLM Flex LED module, dimmable to 1% with a 0-10 volt dimmer, with a CRI of 90+. See tables below for system wattages and luminaire efficacies.
- Precise reflector design provides uniform illumination on vertical surfaces up to the ceiling line and minimizes aperture brightness. The optical assembly consists of two internal reflectors and a 40° x 70° glass spread lens.
- External reflector is available in two clear natural aluminum finishes – semi-specular Alzak (C) or slightly diffuse (V) – as well as white.
- Luminaire includes a pair of mounting bars (¾" x 27" C channel). Specialty bars for wood joist and T-bar installations are also available.
- For more information, [click here](#).

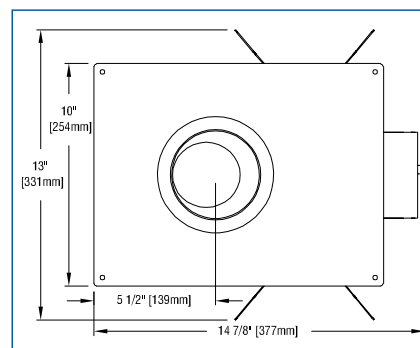
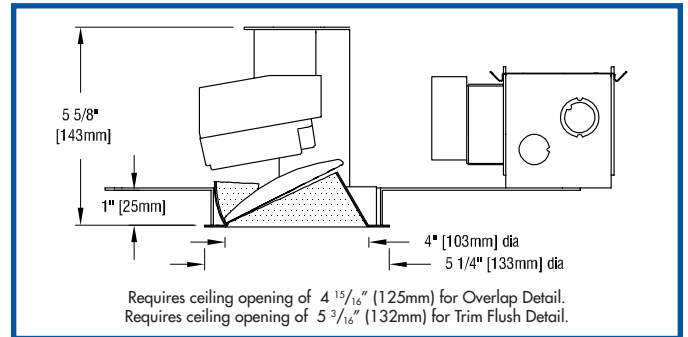
APPLICATIONS

Fixture is listed for Damp Location. Fixture is prewired and approved for ten #12 wire 90° branch circuit pull-through wiring. All fixtures are RoHS compliant. Removal of the reflector allows access to the junction box.



7DAY

For orders of 50 or fewer fixtures, housings will ship within seven business days. For larger quantities, [contact us](#).



PRODUCT CODE

For complete product code, list basic unit and select one item from each following box.

Basic Unit.....	LED-FTF-4WL-7DAY
Driver dimmable to 1% by a 0-10V dimmer on 120v or 277v service.....	DMV-AD
Light Source Output	
1 100 lumens	L11
1 500 lumens	L15
2 000 lumens	L20
3 000 lumens	L30
Light Engine Color	
3000K (CRI 90+).....	30K
3500K (CRI 90+).....	35K
Reflector Color and Detail	Overlap Flange
Semi-specular Clear	COL
Slightly diffuse Clear	VOL
White	WOL
White painted flanges are available; add WF (white flange).	



LED FTF WL/4 7DAY



PHOTOMETRIC REPORT (tested per IESNA LM-79-2008)

prorated from **LTL** Report No. 21290. Original Luminaire Testing Laboratories, Inc. (LTL) test reports furnished upon request.

Luminaire recessed LED round lensed wallwasher with aluminum reflector
 Lamp Philips LED Fortimo DLM 1100, 3000K CCT
 Lamp Life rated 50,000 hours based on L70/B50 criteria. LM80 report by LED manufacturer furnished upon request

WALLWASH INFORMATION

Distance From Ceiling (Feet)	2' 6" From Wall; 2' 6" O.C.		3' From Wall; 3' O.C.		3' 6" From Wall; 3' 6" O.C.	
	Below Fixture	Between Fixtures	Below Fixture	Between Fixtures	Below Fixture	Between Fixtures
1	54	43	36	26	25	17
2	46	45	35	33	27	25
3	32	32	27	27	22	22
4	21	21	19	19	17	17
5	14	14	14	14	13	13
6	10	10	10	10	10	10
7	7	7	7	7	7	7
8	5	5	5	5	6	5
9	4	4	4	4	4	4
10			3	3	3	3

COLOR MULTIPLIERS

Semi-specular Clear (C)	1
EvenTone (V)	.95
Champagne Gold (G)	.95
Black (B)	.49

All vertical footcandles are initial values with no contribution from walls, ceiling or floor reflectance. Computation performed with a total of five wallwashers.

LUMINAIRE LIGHT OUTPUT AND EFFICACY

LED Module Type	Luminaire Light Output	Luminaire Efficacy (lms/watt)	Luminaire Light Output	Luminaire Efficacy (lms/watt)	Luminaire Light Output	Luminaire Efficacy (lms/watt)	Luminaire Light Output	Luminaire Efficacy (lms/watt)	System Wattage	RX Light Output (90 min. run) 3000K
	2700K		3000K		3500K		4000K			
L11	582*	45*	606	47	624*	48*	-	-	13	309*
L15	782*	46*	812*	48*	836*	49*	-	-	17	309*
L20	1036*	43*	1079*	45*	1109*	46*	-	-	24	309*
L30	1570*	46*	1636*	48*	1679*	49*	1715*	50*	34	321*

*estimated values

LIGHT OUTPUT MULTIPLIERS

LED Light Engine	Light Output Multiplier				EM 3000K
	2700K	3000K	3500K	4000K	
L11	0.96*	1	1.03*	-	0.51*
L15	1.29*	1.34*	1.38*	-	0.51*
L20	1.71*	1.78*	1.83*	-	0.51*
L30	2.59*	2.7*	2.77*	2.83*	0.53*

*estimated values

DRIVER INFORMATION UL Class 2, dry and damp location

Voltage	120	277
Input Watts (1100/1500/2000/3000 lumens)	13/17/24/34	13/17/24/34
Input Current (A) (1100/1500/2000/3000 lumens)	.11/.14/.20/.28	.05/.06/.09/.12
Min. Power Factor	>0.95	>0.95
Operating Temperature Range (F)	-4 to 122	-4 to 122