

WET LOCATION FTF/4

recessed LED wet location downlight



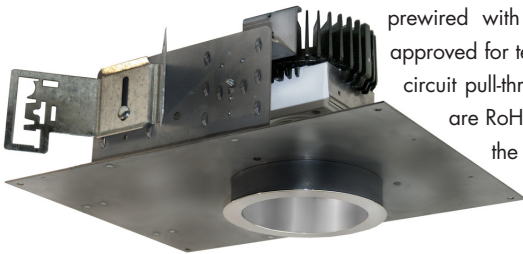
WET LOCATION - OUTDOOR APPLICATION - WET LOCATION - OUTDOOR APPLICATION - WET LOCATION - OUTDOOR APPLICATION - WET LOCATION

FEATURES

- **Wet Location FTF/4 is a wet location LED downlight.** Luminaire is powered by an integral Philips Fortimo DLM Flex LED module with a CRI of 90. See tables below for system wattages and luminaire efficacies. Luminaire may be ordered with one of a number of drivers.
- **Precise reflector design minimizes aperture brightness** with a 40° shielding angle.
- **A 5/32" thick plastic prismatic lens** protects the LED from a direct spray of water. Reflector assembly is attached to the fixture housing with positive torsion springs that pull the reflector flange tight to the ceiling.
- **External reflector is available in three clear natural aluminum finishes** — semi-specular (C), slightly diffuse (V) or fully diffuse (EC) — as well as champagne gold, white and black. Other finishes are available on special order.
- **Luminaire includes a pair of mounting bars** (3/4" x 27" C channel). Specialty bars for wood joist and T-bar installations are also available.
- **For more information, [click here.](#)**

APPLICATIONS

Fixture is listed for Wet Location with a covered ceiling only. Fixture is prewired with thermal protector and approved for ten #12 wire 90° branch circuit pull-through wiring. All fixtures are RoHS compliant. Removal of the reflector allows access to the junction box.



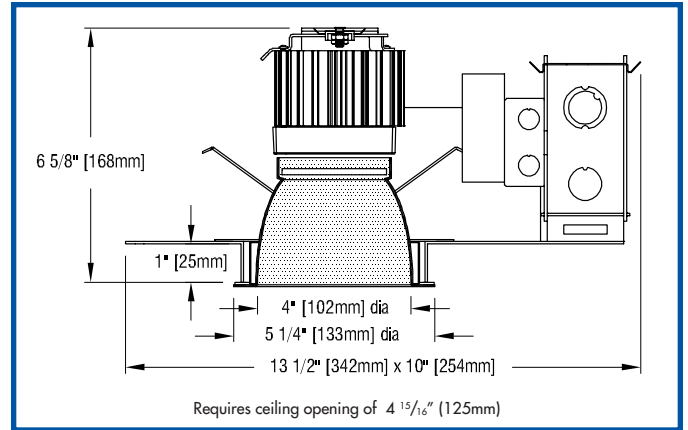
FULLY SUSTAINABLE

Wet Location FTF/4 is fully sustainable. Both critical components – the LED module (diode array) and the driver (power conditioner) – can be replaced through the aperture with a screwdriver. Both components are, and will remain, available from Edison Price Lighting.

MODIFICATIONS AVAILABLE

Contact factory with quantity for pricing; orders may require shop drawing approval.

- **+2"CLG:** luminaire suitable for installation in **2" thick ceiling** material; add +2"CLG to Product Code.
- **+MAR:** reflector suitable for **marine** environments; add +MAR to Product Code.



PRODUCT CODE

For complete product code, list basic unit and select one item from each following box.

Basic Unit SHW-FTF-4DL

Light Source Output	
1100 lumens	- L11
1500 lumens	- L15
2000 lumens	- L20

Driver	
dimmable to 1% by a 0-10V dimmer on 120 or 277-volt service	
	- DMV-AD
dimmable to 1% by a Lutron EcoSystem Bus Control, on 120-volt or 277-volt service	
	- ECO-LU
dimmable to 1% by a Lutron 2-wire incandescent dimmer, on 120-volt service only	
	- DMI-LU
eldoLED 0-10V (Logarithmic) driver dimmable to 0.1% with a 0-10V dimmer on 120 or 277-volt service	
	- DVOELG
eldoLED 0-10V (Linear) driver dimmable to 0.1% with a 0-10V dimmer on 120 or 277-volt service	
	- DVOELN

► DALI and DMX driver options are available on special order. Contact factory.

Voltage	
120 volt service	120
277 volt service	277

Light Engine Color	
2700K (CRI 90)	27K
3000K (CRI 90)	30K
3500K (CRI 90)	35K

Reflector Color and Detail	
Semi specular Clear	- COL
Slightly diffuse Clear	- VOL
Fully diffuse Clear	- ECOL
Champagne Gold	- GOL
White	- WOL
Black	- BOL
Other reflector finishes available on special order.	
Overlap Flange continues reflector finish. White painted flanges and custom painted flanges are available on special order. Add WF (white flange) or CCF (custom color flange).	



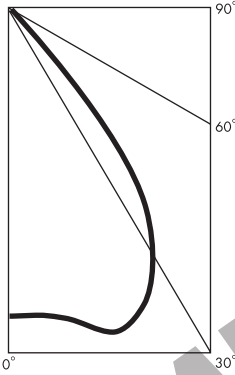
PHOTOMETRIC REPORT (tested per IESNA LM-79-2008)

prorated from (LTL) Report No. 21293. Original Luminaire Testing Laboratories, Inc. (LTL) test reports furnished upon request.

Luminaire recessed LED round downlight with aluminum reflector
 Lamp Philips LED Fortimo DLM 1100, 3000K CCT
 Lamp Life rated 50,000 hours based on L70/B50 criteria. LM80 report by LED manufacturer furnished upon request
 Spacing Criteria 1.3

CANDLEPOWER DISTRIBUTION (Candela)

Vertical Angle	Horizontal Angle
	0
0	683
5	681
15	735
25	713
35	503
45	91
55	2
65	1
75	0
85	0
90	0



DRIVER INFORMATION *UL Class 2, dry and damp location*

Voltage	120	277
Input Watts (1100/1500/2000 lumens)	13/17/24	13/17/24
Input Current (A) (1100/1500/2000 lumens)	.11/.14/.20	.05/.06/.09
Min. Power Factor	>0.95	>0.95
Operating Temperature Range (F)	-4 to 122	-4 to 122

COLOR MULTIPLIERS

Semi-specular Clear (C)	1
EvenTone (V)	.95
Champagne Gold (G)	.95
Black (B)	.49

LUMINANCE DATA

Vertical Angle	Candelam ²
45	15952
55	376
65	192
75	104
85	310

ZONAL LUMEN SUMMARY

Zone	Lumens	% Fixture
0 - 30°	599	60.6
0 - 40°	904	91.4
0 - 60°	988	99.9
0 - 90°	989	100.0
90 - 180°	0	0.0
0 - 180°	989	100.0

LIGHT OUTPUT MULTIPLIERS

LED Light Engine	Light Output Multiplier			
	2700K	3000K	3500K	4000K
L11	0.96*	1	1.03*	-
L15	1.29*	1.34*	1.38*	-
L20	1.71*	1.78*	1.83*	-

*estimated values

LUMINAIRE LIGHT OUTPUT AND EFFICACY

LED Module Type	Luminaire Light Output	Luminaire Efficacy (lms/watt)	Luminaire Light Output	Luminaire Efficacy (lms/watt)	Luminaire Light Output	Luminaire Efficacy (lms/watt)	System Wattage
	2700K		3000K		3500K		
L11	949*	73*	989	76	1019*	78*	13
L15	1276*	75*	1325*	78*	1365*	80*	17
L20	1691*	70*	1760*	73*	1810*	75*	24

*estimated values