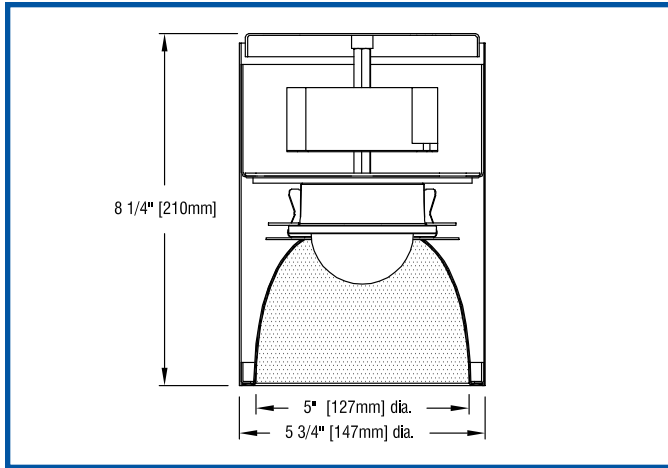


# APLUS WHITELIGHT/5 SM

surface mounted LED downlight/wallwasher



## FEATURES

- **APlus WhiteLight/5 SM is a 5" aperture surface mounted luminaire** powered by one of a number of Cree WhiteLight 90+CRI LED light engines. See tables below for wattages and efficacies.
- **One basic housing allows interchangeable use** of downlight and wall-wash (120°) reflectors. Housings may be installed first and reflectors installed or changed at any time.
- **Precise reflector design minimizes aperture brightness** and provides a shielding angle of 40°.
- **Reflectors are available in two clear natural aluminum finishes** — slightly diffuse (V) or fully diffuse (EC) — as well as champagne gold Alzak® and white. Other reflector finishes are available on special order.
- **For more information, [click here](#).**



## APPLICATIONS

Fixture is suitable for 120-volt or 277-volt service and is listed for Damp Location and mounting on a 3 1/2" or 4" octagonal outlet box (supplied by others). Pendant mounting is also available on special order.

## PRODUCT CODE

For complete product code, list basic unit and select one item from each following box.

Basic Unit ..... AP-SM-5-CLWD

Finish  
 white ..... - WHT  
 black ..... - BLK  
 Industrial Silver ..... - SIL  
 custom color: include physical chip with order ..... - CC

Light Source Output (Lumens)  
 850L ..... - L08  
 1250L ..... - L12  
 2000L ..... - L20

LED Light Engine Color  
 2700K ..... - 27K  
 3000K ..... - 30K  
 3500K ..... - 35K  
 4000K ..... - 40K

Driver  
 DVP driver dimmable to  
 - 5% by a 0-10V dimmer on 120V or 277V service; or  
 - 10% by an incandescent dimmer on 120V only; or  
 - 10% by an electronic low voltage (ELV) dimmer on 120V only..... - DVP

Voltage  
 120 volt service ..... - 120  
 277 volt service ..... - 277

Reflector Type  
 Downlight ..... no suffix  
 Wallwash ..... WW

Reflector Color  
 Slightly diffuse Clear ..... VSM  
 Fully diffuse Clear ..... ECSCM  
 Champagne Gold ..... GSM  
 White ..... WSM  
 Other reflector finishes are available on special order.  
 Overlap Flange continues reflector finish. White painted flanges and custom painted flanges are available on special order. Add WF (white flange) or CCF (custom color flange).



# APLUS WHITELIGHT/5 SM



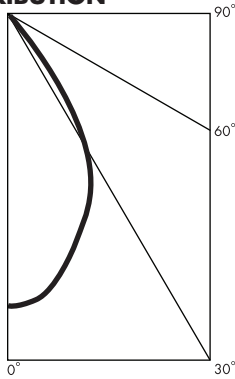
## PHOTOMETRIC REPORT (tested per IESNA LM-79-2008)

**UL** Verification Services Report No. 369315. Original report furnished upon request.

Luminaire ..... surface-mounted LED round downlight with aluminum reflector  
 Lamp ..... Cree LMH2 White Light LED, 2000 lumens, 3000K CCT, 90 CRI minimum  
 Lamp Life ..... rated 50,000 hours based on L70/B50 criteria. LM80 report by  
 LED manufacturer furnished upon request  
 Spacing Criteria ..... 0.9

### CANDLEPOWER DISTRIBUTION

Vertical Angle	Candela
0	1862
5	1830
15	1538
25	1195
35	639
45	184
55	6
65	1
75	0
85	0
90	0



### STANDARD DRIVER (0-10V DIMMING) INFORMATION

UL Class 2, dry and damp location

Voltage	120	277
Input Watts (850/1250/2000 lumens)	11/16/26	11/16/26
Input Current (A) (850/1250/2000 lumens)	.09/.13/.22	.04/.06/.09
Output Current (mA)	440/440/900	440/440/900
Min. Power Factor	>0.9	>0.9
Operating Temperature Range (F)	32 to 122	32 to 122

### ZONAL LUMEN SUMMARY

Zone	Lumens	% Fixture
0 – 30°	1141	67.3
0 – 40°	1537	90.6
0 – 60°	1694	99.9
0 – 90°	1696	100.0
90 – 180°	0	0.0
0 – 180°	1631	100.0

### LIGHT OUTPUT MULTIPLIERS

Based on 2000 lumens LED

LED Light Engine	Light Output Multiplier
850 Lumens	.43*
1250 Lumens	.63*
2000 Lumens	1

\*estimated values

### LUMINANCE DATA

Vertical Angle	Candela/m <sup>2</sup>
45	20675
55	865
65	271
75	11
85	0

To convert cd/m<sup>2</sup> to footlamberts multiply by 0.2919.

### COLOR MULTIPLIERS

Slightly diffuse clear (V)	1
Fully diffuse clear (EC)	.93
Champagne gold (G)	1

### LUMINAIRE LIGHT OUTPUT AND EFFICACY


LED Light Engine	Luminaire Light Output	Luminaire Efficacy (lms/watt)	System Wattage
850 Lumens	719*	65	11
1250 Lumens	1057*	66	16
2000 Lumens	1691	65	26

\*estimated values

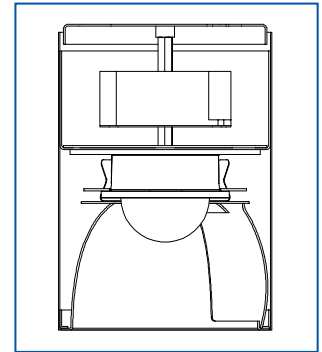
# APLUS WHITELIGHT/5 SM WW



## PHOTOMETRIC REPORT (tested per IESNA LM-79-2008)

 Verification Services Report No. 369317. Original report furnished upon request.

Luminaire ..... surface-mounted LED round wallwasher with aluminum reflector  
 Lamp ..... Cree LMH2 White Light LED, 2000 lumens, 3000K CCT, 90 CRI minimum  
 Lamp Life ..... rated 50,000 hours based on L70/B50 criteria. LM80 report by  
 LED manufacturer furnished upon request



## WALLWASH INFORMATION *Based on 2000 lumens LED*

Distance From Ceiling (Feet)	2' 6" From Wall; 2' 6" O.C.		3' From Wall; 3' O.C.	
	Below Fixture	Between Fixtures	Below Fixture	Between Fixtures
1	11	10	6	6
2	20	19	13	12
3	22	21	15	14
4	24	24	16	16
5	23	23	17	17
6	20	20	16	16
7	17	17	15	15
8	15	15	13	13
9	12	12	11	11
10	11	11	10	10
11	9	9	9	9
12	8	8	8	8
13			7	7
14			6	6
15			5	5

All vertical footcandles are initial values with no contribution from ceiling or floor reflectances. Computation performed with a total of ten wallwashers.

## LIGHT OUTPUT MULTIPLIERS

*Based on 2000 lumens LED*

LED Light Engine	Light Output Multiplier
850 Lumens	.43*
1250 Lumens	.63*
2000 Lumens	1

\*estimated values

## LUMINAIRE LIGHT OUTPUT AND EFFICACY

LED Light Engine	Luminaire Light Output	Luminaire Efficacy (lms/watt)	System Wattage
850 Lumens	706*	64	11
1250 Lumens	1034*	65	16
2000 Lumens	1642	63	26

\*estimated values