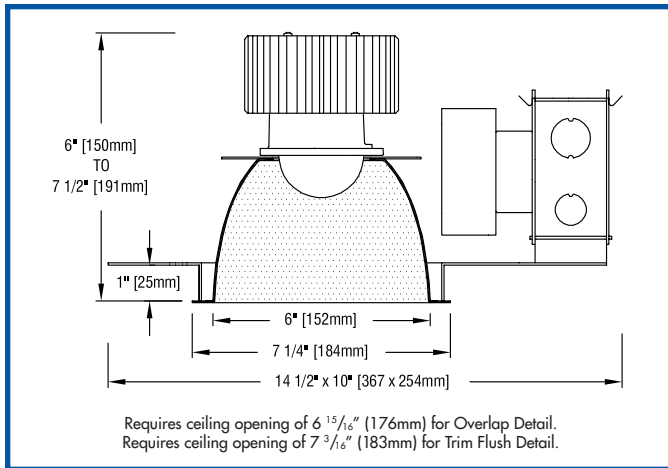


APLUS SUNSET/6

recessed LED downlight/wallwasher



FEATURES

- **APlus Sunset/6 is a 6" aperture luminaire** powered by one of a number of Cree Sunset 90+CRI 2700K LED light engines. See below for wattages and efficacies.
- **Sunset modules dim smoothly from 2700 K to 1800 K**, providing a dimming experience similar to incandescent lighting.
- **One basic housing allows interchangeable use** of downlight and wallwash reflectors. Housings may be installed first and reflectors installed or changed at any time. Wallwash reflectors available are: wallwash (120°), corner wallwash (210°), and double wallwash (2x120°).
- **Precise reflector design minimizes aperture brightness** and provides a shielding angle of 40°. **Reflectors are available in two clear natural aluminum finishes** — slightly diffuse (V) or fully diffuse (EC) — as well as champagne gold Alzak®, black and white.
- **Luminaire includes a pair of mounting bars** (3/4" x 27" C channel). Specialty bars for wood joist and T-bar installations are also available. Luminaire varies in depth from 6" to 7 1/2".
- **For more information, [click here](#).**

APPLICATIONS

Luminaire is recommended for spaces requiring rich, warm light and "incandescent style" dimming.

Fixture is listed for Damp Location. Fixture is prewired with thermal protector and approved for ten #12 wire 90°C branch circuit pull-through wiring. Removal of the reflector allows access to the junction box.



SPACING REQUIREMENTS

Two models – L20 and L30 – must be spaced 24" apart (O.C.) and 18" from walls and must have 1/2" clearance above housing.

PRODUCT CODE

For complete product code, list basic unit and select one item from each following box.

Basic Unit AP-CLS-6

Driver

'DVP' driver: dimmable to
- 5% by a 0-10V dimmer on 120V or 277V service; or
- 0.2 to 3.0% by a dimmer listed on next page, on 120V only...- DVP

Light Source Output

850 lumens 6" deep L08
1250 lumens 6 7/8" deep L12
2000 lumens 6 7/8" deep Note: Spacing Requirements L20
3000 lumens 7 1/2" deep Note: Spacing Requirements L30

Voltage

120 volt service 120
277 volt service 277

Reflector Type

Downlight no suffix
Wallwash WW
Corner Wallwash CWW
Double Wallwash DWX

Reflector Color and Detail

	Overlap Flange	Trim Flush*
Slightly diffuse Clear.....	VOL	VTF
Fully diffuse Clear.....	ECOL	ECTF
Champagne Gold.....	GOL	GTF
White.....	WOL	WTF

Overlap Flange continues reflector finish. White painted flanges and custom painted flanges are available on special order. Add WF (white flange) or CCF (custom color flange).

*Trim Flush reflector trim requires the use of a plaster ring Accessory (see below).

ACCESSORIES

Specify as separate line items.

Plaster ring allows use of 6 7/8" OD Trim Flush (-TF) reflector in sheetrock ceiling; 7 3/16" dia hole required.....TF RING/6



41-50 22ND STREET, LIC NY 11101 TEL 718.685.0700 FAX 718.786.8530 www.epl.com

©Copyright, Edison Price Lighting 2017

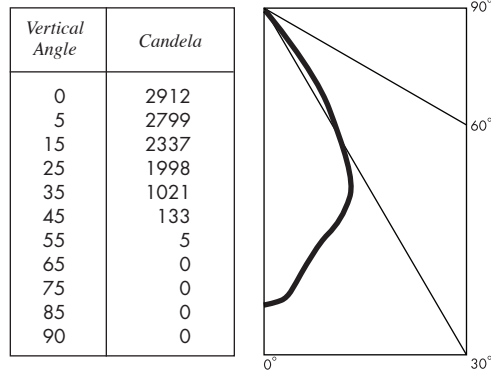
LED 0-087 11:17

PHOTOMETRIC REPORT (tested per IESNA LM-79-2008)

Data prorated from Verification Services Report No. 369318.
Original report furnished upon request.

Luminaire recessed LED round downlight with aluminum reflector
Lamp Cree LMH2 Sunset LED, 3000 lumens, 2700K CCT, 90 CRI minimum
Lamp Life rated 50,000 hours based on L70/B50 criteria. LM80 report by LED
manufacturer furnished upon request
Spacing Criteria 0.9
Luminaire light output..... 2580 lumens

CANDLEPOWER DISTRIBUTION



STANDARD DRIVER INFORMATION *UL Class 2, dry and damp location*

Voltage	120	277
Input Watts (850/1250/2000/3000 lumens)	13/18/30/42	13/18/30/42
Input Current (A) (850/1250/2000/3000 lumens)	.11/.15/.25/.35	.05/.06/.11/.15
Output Current (mA)	440/440/940/940	440/440/940/940
Min. Power Factor	>0.9	>0.9
Operating Temperature Range (F)	32 to 158	32 to 158

LUMINAIRE LIGHT OUTPUT AND EFFICACY

LED Light Engine	Luminaire Light Output	Luminaire Efficacy (lms/watt)	System Wattage
850 Lumens	731*	56	13
1250 Lumens	1075*	60	18
2000 Lumens	1720*	57	30
3000 Lumens	2580*	61	42

*estimated values

COLOR MULTIPLIERS

Slightly diffuse clear (V)	1
Fully diffuse clear (EC)	.93
Champagne gold (G)	1
Black (B)	.45

LIGHT OUTPUT MULTIPLIERS

Based on 3000 lumens LED

LED Light Engine	Light Output Multiplier
850 Lumens	.28*
1250 Lumens	.42*
2000 Lumens	.67*
3000 Lumens	1

*estimated values

LUMINANCE DATA

Vertical Angle	Candela/m ²
45	10369
55	509
65	10
75	9
85	0

To convert cd/m² to footlamberts multiply by 0.2919.

ZONAL LUMEN SUMMARY

Zone	Lumens	% Fixture
0 - 30°	1810	70.0
0 - 40°	2443	94.4
0 - 60°	2580	100.0
0 - 90°	2580	100.0
90 - 180°	0	0.0
0 - 180°	2580	100.0

FIXTURE HEIGHT

LED Light Engine	Fixture Height (inches)
850 lumens	6
1250 lumens	6 ⁷ / ₈
2000 lumens	6 ⁷ / ₈
3000 lumens	7 ¹ / ₂

* 3-inch additional clearance needed for service pack through the aperture

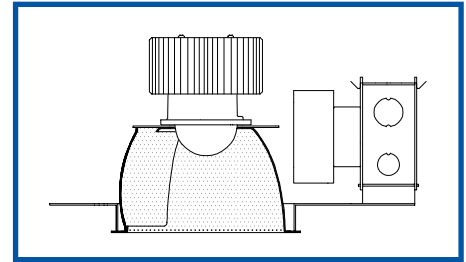
SELECTED DIMMERS FOR USE WITH 'DVP' DRIVERS

LED Light Engine	Dimmer	Dimmable to
850 Lumens	Lutron DVCL-153P	0.2 %
1250 Lumens	Lutron NT600	1.0 %
2000 Lumens	Lutron NT600	3.0 %
3000 Lumens	Lutron DVCL-153P	3.0 %

PHOTOMETRIC REPORT (tested per IESNA LM-79-2008)

Data prorated from Verification Services Report No. 369320.
Original report furnished upon request.

Luminaire recessed LED round wallwasher with aluminum reflector
Lamp Cree LMH2 Sunset LED, 3000 lumens, 2700K CCT, 90 CRI minimum
Lamp Life rated 50,000 hours based on L70/B50 criteria. LM80 report by LED manufacturer furnished upon request
Luminaire light output..... 2519 lumens



LUMINAIRE LIGHT OUTPUT AND EFFICACY

LED Light Engine	Luminaire Light Output	Luminaire Efficacy (lms/watt)	System Wattage
850 Lumens	710*	55	13
1250 Lumens	1033*	57	18
2000 Lumens	1679*	56	30
3000 Lumens	2519*	60	42

*estimated values

LIGHT OUTPUT MULTIPLIERS

Based on 2000 lumens LED

LED Light Engine	Light Output Multiplier
850 Lumens	.28*
1250 Lumens	.42*
2000 Lumens	.67*
3000 Lumens	1

*estimated values

WALLWASH INFORMATION *Based on 3000 lumens LED*

Distance From Ceiling (Feet)	3' From Wall; 3' O.C.		3' 6" From Wall; 3' 6" O.C.	
	Below Fixture	Between Fixtures	Below Fixture	Between Fixtures
1	12	11	9	8
2	22	21	16	12
3	24	23	22	19
4	27	26	23	22
5	28	28	21	20
6	27	27	19	18
7	23	24	15	15
8	20	20	12	12
9	18	17	10	10
10	15	15	9	9
11	13	13	7	7
12	12	12	6	6
13	10	10	5	5
14	9	9	5	5
15	8	8		
16	7	7		
17	6	6		

All vertical footcandles are initial values with no contribution from ceiling or floor reflectances. Computation performed with a total of ten wallwashers.

SELECTED DIMMERS FOR SPECIAL ORDER FIXTURES (DVP)

LED Light Engine	Dimmer	Dimmable to
850 Lumens	Lutron DVCL-153P	0.2 %
1250 Lumens	Lutron NT600	1.0 %
2000 Lumens	Lutron NT600	3.0 %
3000 Lumens	Lutron DVCL-153P	3.0 %