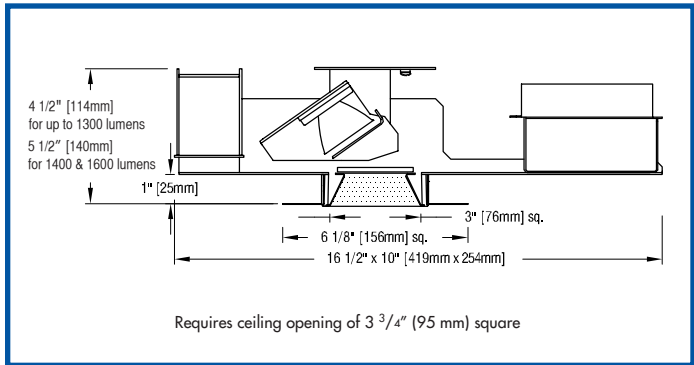


# PRIM SQUARE AA/3

recessed square trimless LED accent light



FULLY SUSTAINABLE – FULLY SUSTAINABLE – FULLY SUSTAINABLE – FULLY SUSTAINABLE – FULLY SUSTAINABLE – FULLY SUSTAINABLE – FULLY SUSTAINABLE

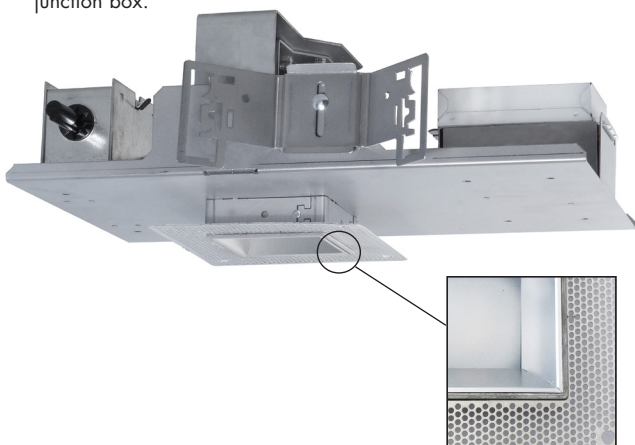


## FEATURES

- **PRIM SQUARE AA/3 is a 3" trimless square LED accent light.** Luminaire is powered by one of a number of Xicato XTM (19mm) LED modules, distinguished by extraordinary color consistency (within 1x2-step MacAdam ellipse). See below for wattages and efficacies.
- **Luminaire is exclusively designed for installation in sheet rock** to achieve a flush trim detail. Installation includes the application of drywall compound over the luminaire's integral spackle screen to the rim of its integral plaster ring.
- **Luminaire overall depth is 4 1/2" or 5 1/2"** (see drawing).
- **Luminaire employs an internal 'twist and lock' reflector** to produce an initial beamspread of 36° or 54°. To allow beamspread to be changed in installed luminaires, internal reflectors are available as accessories.
- **Luminaire provides full circle rotation and 0-35 angular adjustment.** Once focused, adjustment may be locked by means of a thumb screw and a wing nut.
- **External reflector is designed to accept** either a Solite-pattern prismatic lens (-PRS) or a clear glass (-GLS) mounted in the top aperture. External reflectors are available in two clear natural aluminum finishes – slightly diffuse (V) or fully diffuse (EC) – as well as black and white.
- **Luminaire includes a pair of 3/4" x 27" C channel mounting bars.** Specialty bars for wood joist and T-bar installations are also available.
- **For more information, [click here](#).**

## APPLICATIONS

Fixture is listed for Damp Location. Fixture is prewired with thermal protector and approved for eight #12 wire 90° branch circuit pull-through wiring. Removal of the external reflector trim allows access to the LED module and junction box.



## PRODUCT CODE

For complete product code, list basic unit and select one item from each following box.

Basic Unit .....	P3-XTM-A
<b>Driver Choose one.</b>	
dimmable to 1% by a 0-10V dimmer on 120 or 277-volt service .....	DMV
dimmable to 5% or 10% (see Lumen Source Output box below) by either an incandescent or ELV dimmer; 120-volt service only .....	DMP
Lutron L3D Hi-Lume driver dimmable to 1% by a Lutron 3-wire fluorescent dimmer or EcoSystem Bus Control, on 120-volt or 277-volt service .....	D3D-LU
eldoLED 0-10V (Logarithmic) driver dimmable to 0.1% with a 0-10V dimmer on 120 or 277-volt service .....	DV0ELG
eldoLED 0-10V (Linear) driver dimmable to 0.1% with a 0-10V dimmer on 120 or 277-volt service .....	DV0ELN
eldoLED driver dimmable to 0.1%, compatible with DALI control system .....	DA0-EL
Moons' driver dimmable to 0.1%, compatible with DMX controllers .....	DX0

<b>Light Source Output (Lumens) Choose one.</b>	
700L / CRI 98 Artist.....	DMP(10%) - L07A
1000L / CRI 98 .....	DMP( 5% ) - L10A
1400L / CRI 98 .....	DMP( 5% ) - L14A
1000L / CRI 90 Designer.....	DMP( 5% ) - L10H
1300L / CRI 90 .....	DMP( 5% ) - L13H
1600L / CRI 90 .....	DMP( 5% ) - L16H
1000L / CRI 80+ Vibrant.....	DMP(10%) - L10V
1300L / CRI 80+ .....	DMP(10%) - L13V
1600L / CRI 80+ .....	DMP( 5% ) - L16V
1000L / CRI 80+ standard.....	DMP(10%) - L10S
1300L / CRI 80+ .....	DMP(10%) - L13S
1600L / CRI 80+ .....	DMP( 5% ) - L16S
<b>Vibrant available in 3000K only Designer available in 2700K and 3000K</b>	

<b>Light Color Choose one.</b>	
2700 K .....	- 27K
3000 K .....	- 30K
3500 K .....	- 35K
4000 K .....	- 40K

<b>Internal Reflector Choose one.</b>	
36° initial beamspread .....	- 36D
54° initial beamspread .....	- 54D

<b>Voltage Choose one.</b>	
120 volt service .....	- 120
277 volt service .....	- 277

<b>External Reflector Lens Choose one.</b>	
Solite prismatic lens .....	- PRS
Clear glass .....	- GLS

<b>External Reflector Color Choose one.</b>	
Slightly diffuse Clear .....	VTL
Fully diffuse Clear .....	ECTL
Black.....	BTL
White.....	WTL

## EXTRA REFLECTORS Specify as separate line items.

<b>36° initial beamspread</b> .....	XTM-REF36-50
<b>54° initial beamspread</b> .....	XTM-REF54-50

<b>SPACING</b>	
Eight models of this luminaire – L10A, L13H, L13S, L13V, L14A, L16H, L16S & L16V – must be spaced 24" apart and 2" from walls with 1/2" clearance above the housing.	

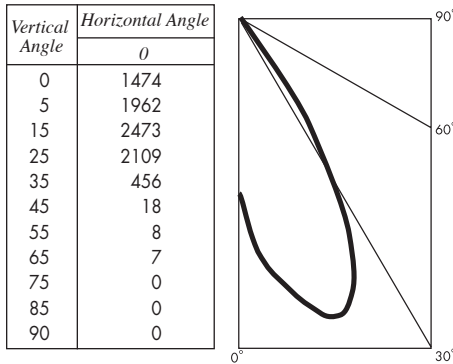


## PHOTOMETRIC REPORT with 36° reflector and clear glass (GLS) (tested per IESNA LM-79-2008)

Verification Services Report No. 11729420.08. Original test report furnished upon request.

Luminaire ..... recessed LED square accent light with slightly diffuse clear aluminum reflector covered with clear glass (GLS); LED aimed at 15° above vertical  
 Light Source ... one white Xicato XTM 19mm LES LED with 36° beam spread integral reflector, 3000K CCT, 80 CRI, 1600 lumens  
 Lamp Life ..... rated 50,000 hours based on L70/B50 criteria. LM80 report by LED manufacturer furnished upon request

### CANDLEPOWER DISTRIBUTION (Candela)



### LUMINANCE DATA

Vertical Angle	Candelalm <sup>2</sup>
45	4414
55	2354
65	2662
75	189
85	512

### ZONAL LUMEN SUMMARY

Zone	Lumens	% Fixture
0- 40°	656	98.0
0- 60°	666	99.5
0- 90°	669	100.0
90-180°	0	0.0

### LUMINAIRE LIGHT OUTPUT AND EFFICACY

LED Light Engine	Luminaire Light Output	Luminaire Efficacy (lms/watt)	System Wattage
700 Lumens Artist	304*	30*	10
1000 Lumens Artist	407*	31*	13
1400 Lumens Artist	571*	36*	16
1000 Lumens Designer	407*	34*	12
1300 Lumens Designer	549*	34*	16
1600 Lumens Designer	669*	42*	16
1000 Lumens standard & Vibrant	407*	41*	10
1300 Lumens standard & Vibrant	549*	39*	14
1600 Lumens standard & Vibrant	669	42	16

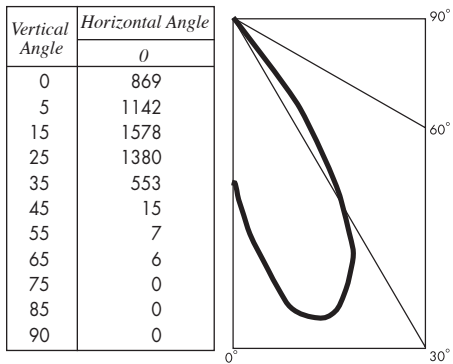
\*estimated values

## PHOTOMETRIC REPORT with 54° reflector and clear glass (GLS) (tested per IESNA LM-79-2008)

Verification Services Report No. 11729420.07. Original test report furnished upon request.

Luminaire ..... recessed LED square accent light with slightly diffuse clear aluminum reflector covered with clear glass (GLS); LED aimed at 15° above vertical  
 Light Source ... one white Xicato XTM 19mm LES LED with 54° beam spread integral reflector, 3000K CCT, 80 CRI, 1600 lumens  
 Lamp Life ..... rated 50,000 hours based on L70/B50 criteria. LM80 report by LED manufacturer furnished upon request

### CANDLEPOWER DISTRIBUTION (Candela)



### LUMINANCE DATA

Vertical Angle	Candelalm <sup>2</sup>
45	3581
55	2222
65	2340
75	190
85	559

### ZONAL LUMEN SUMMARY

Zone	Lumens	% Fixture
0- 40°	560	96.9
0- 60°	574	99.3
0- 90°	578	100.0
90-180°	0	0.0

### LUMINAIRE LIGHT OUTPUT AND EFFICACY

LED Light Engine	Luminaire Light Output	Luminaire Efficacy (lms/watt)	System Wattage
700 Lumens Artist	263*	26*	10
1000 Lumens Artist	352*	27*	13
1400 Lumens Artist	493*	31*	16
1000 Lumens Designer	352*	29*	12
1300 Lumens Designer	474*	30*	16
1600 Lumens Designer	578*	36*	16
1000 Lumens standard & Vibrant	352*	35*	10
1300 Lumens standard & Vibrant	474*	34*	14
1600 Lumens standard & Vibrant	578	36	16

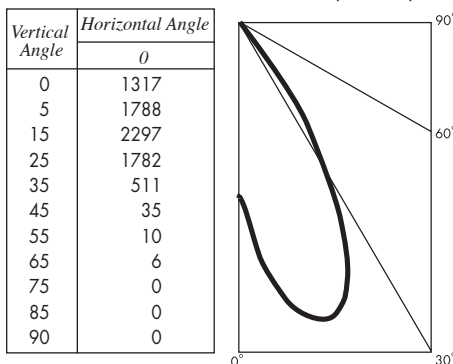
\*estimated values

## PHOTOMETRIC REPORT with 36° reflector and prismatic lens (PRS) (tested per IESNA LM-79-2008)

Verification Services Report No. 11729420.09 . Original test report furnished upon request.

Luminaire ..... recessed LED square accent light with slightly diffuse clear aluminum reflector covered with prismatic lens (PRS); LED aimed at 15° above vertical  
 Light Source ... one white Xicato XTM 19mm LES LED with 36° beam spread integral reflector, 3000K CCT, 80 CRI, 1600 lumens  
 Lamp Life ..... rated 50,000 hours based on L70/B50 criteria. LM80 report by LED manufacturer furnished upon request

### CANDLEPOWER DISTRIBUTION (Candela)



### LUMINANCE DATA

Vertical Angle	Candelalm <sup>2</sup>
45	8524
55	2993
65	2272
75	194
85	520

### ZONAL LUMEN SUMMARY

Zone	Lumens	% Fixture
0- 40°	644	97.0
0- 60°	660	99.5
0- 90°	664	100.0
90-180°	0	0.0

### LUMINAIRE LIGHT OUTPUT AND EFFICACY

LED Light Engine	Luminaire Light Output	Luminaire Efficacy (lms/watt)	System Wattage
700 Lumens Artist	302*	30*	10
1000 Lumens Artist	404*	31*	13
1400 Lumens Artist	566*	35*	16
1000 Lumens Designer	404*	34*	12
1300 Lumens Designer	544*	34*	16
1600 Lumens Designer	664*	41*	16
1000 Lumens standard & Vibrant	404*	40*	10
1300 Lumens standard & Vibrant	544*	39*	14
1600 Lumens standard & Vibrant	664	41	16

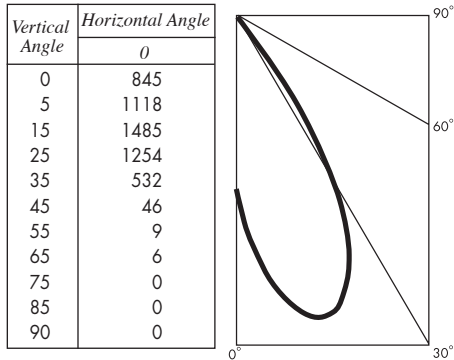
\*estimated values

## PHOTOMETRIC REPORT with 54° reflector and prismatic lens (PRS) (tested per IESNA LM-79-2008)

**UL** Verification Services Report No. 11729420.06 . Original test report furnished upon request.

Luminaire ..... recessed LED square accent light with slightly diffuse clear aluminum reflector covered with prismatic lens (PRS); LED aimed at 15° above vertical  
 Light Source ... one white Xicato XTM 19mm LES LED with 54° beam spread integral reflector, 3000K CCT, 80 CRI, 1600 lumens  
 Lamp Life ..... rated 50,000 hours based on L70/B50 criteria. LM80 report by LED manufacturer furnished upon request

### CANDLEPOWER DISTRIBUTION (Candela)



### LUMINANCE DATA

Vertical Angle	Candela/m <sup>2</sup>
45	11150
55	2709
65	2382
75	188
85	570

### ZONAL LUMEN SUMMARY

Zone	Lumens	% Fixture
0- 40°	546	95.3
0- 60°	569	99.2
0- 90°	573	100.0
90-180°	0	0.0

### LUMINAIRE LIGHT OUTPUT AND EFFICACY

LED Light Engine	Luminaire Light Output	Luminaire Efficacy (lms/watt)	System Wattage
700 Lumens Artist	260*	26*	10
1000 Lumens Artist	349*	27*	13
1400 Lumens Artist	489*	31*	16
1000 Lumens Designer	349*	29*	12
1300 Lumens Designer	470*	29*	16
1600 Lumens Designer	573*	35*	16
1000 Lumens standard & Vibrant	349*	35*	10
1300 Lumens standard & Vibrant	470*	34*	14
1600 Lumens standard & Vibrant	573	35	16

\*estimated values

### STANDARD DMV DRIVER INFORMATION (UL Class 2, dry and damp location)

Voltage	120	277
Input Watts (L07A/L10A/L14A/L10H/L13H/16H/L10S&V/L13S&V/L16S&V)	10/13/16/12/16/16/10/14/16	10/13/16/12/16/16/10/14/16
Input Current (A) (L07A/L10A/L14A/L10H/L13H/16H/L10S&V/L13S&V/L16S&V)	.08/11/13/10/13/13/08/12/13	.04/05/06/04/06/06/04/05/06
Output Current (mA)	350-700	350-700
Min. Power Factor	.99	.99
Operating Temperature Range (F)	-13 to 122	-13 to 122

### REFLECTOR COLOR MULTIPLIERS

Slightly diffuse clear (V)	1
Fully diffuse clear (EC)	.90
Champagne gold clear (G)	1
Specular White	.70
Black (B)	.40

### LIGHT OUTPUT MULTIPLIER

LED Light Engine	Light Output Multiplier
700 Lumens Artist	0.45*
1000 Lumens Artist	0.61*
1400 Lumens Artist	0.85*
1000 Lumens Designer	0.61*
1300 Lumens Designer	0.82*
1600 Lumens Designer	1*
1000 Lumens standard & Vibrant	0.61*
1300 Lumens standard & Vibrant	0.82
1600 Lumens standard & Vibrant	1

\*estimated values