

# ONE WEEK WAFER/4 DL

recessed shallow LED downlight



## FEATURES

- WAFER/4 DL is a 4" aperture, high efficacy, LED downlight 4" insert.
- Luminaire employs an internal 'twist and lock' lens to produce an initial beamspread of either 32° or 60°. To allow beamspread to be changed in installed luminaires, internal lenses are available as accessories.
- Luminaire may be ordered standard (- DL) for maximum efficacy and spacing ratio - or - with a plastic diffuser (- DG), mounted atop reflector, to maximize beam uniformity and obscure appearance of LED.
- Luminaire is powered by one of a number of Cree Chip on board LED's. See below for wattages and efficacies.
- WAFER/4 DL includes a pair of mounting bars (3/4" x 27" C channel). Specialty bars for wood and T-bar installations are also available.
- For more information, [click here](#).

## APPLICATIONS

Luminaire is listed as an inherently protected luminaire for Damp Location. Luminaire is RoHA compliant, is suitable for use in a fire rated ceiling. Removal of the external reflector allows access to the LED module and junction box.

### ONE WEEK

For orders of 20 or fewer fixtures, housings will ship within five business days. For larger quantities, contact factory.

## PRODUCT CODE

For complete product code, list basic unit and select one item from each following box.

<b>Basic Unit</b>	
no diffuser .....	W4-CLT-DL
with diffuser .....	W4-CLT-DG

<b>Internal Lens</b> <i>Choose one.</i>	
32° initial beamspread .....	32D
60° initial beamspread .....	60D

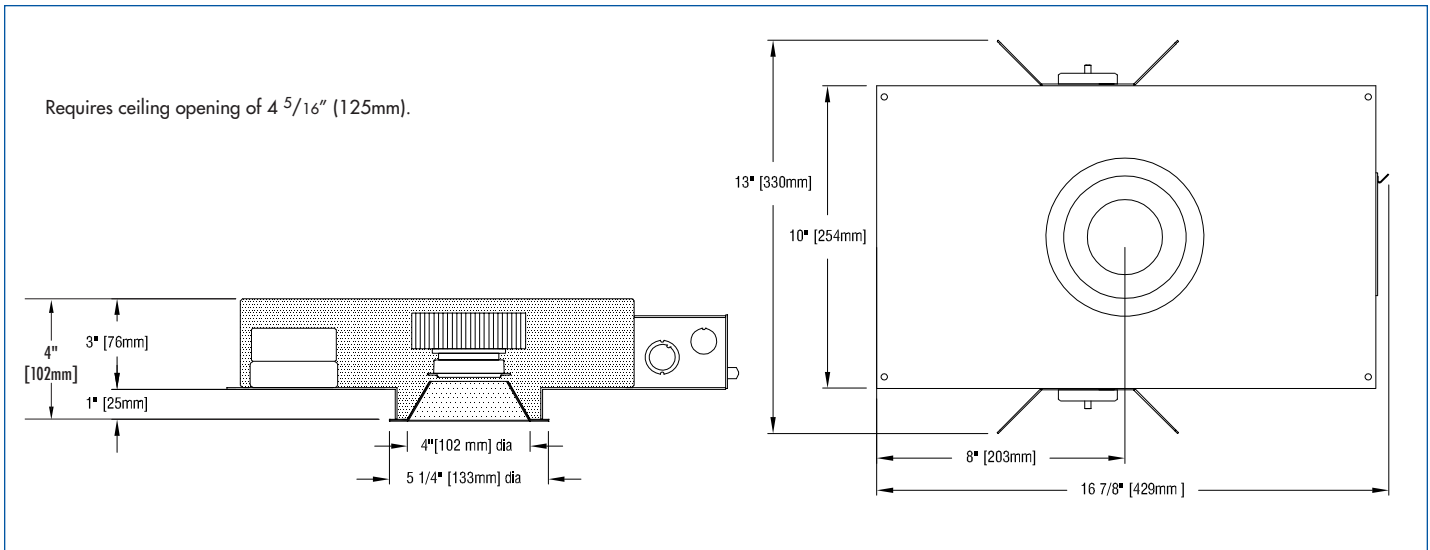
<b>Light Source Output</b> (Lumens)	
800 lumens/CRI 90+/3000K .....	L08H
1000 lumens .....	L10H
1200 lumens .....	L12H
1500 lumens .....	L15H
1000 lumens/CRI 80+/3000K.....	L10S
1200 lumens .....	L12S
1500 lumens .....	L15S
1800 lumens .....	L18S

<b>Driver</b>	
dimmable to 1% by a 0-10V dimmer on 120 Or 277-volt service .....	DMV
dimmable to 5% by either an incandescent or electronic low voltage dimmer only; 120-volt service only .....	DMP

<b>Light Color</b>	
3000K .....	30K
3500K .....	35K

External Reflector Color & Trim	DL Model (no diffuser)	DG Model (with diffuser)
	Overlap	Overlap
Slightly diffuse Clear	DL-VOL	DG-VOL





– see below for photometric reports –

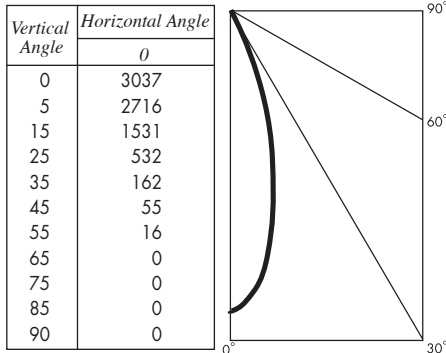


## PHOTOMETRIC REPORT with 32° lens (tested per IESNA LM-79-2008)

**UL** Verification Services Report No. 11827425.10. Original test report furnished upon request.

Luminaire ..... recessed LED round downlight with semi-specular clear aluminum external reflector (NO DIFFUSER)  
 Light Source ..... Cree CXB1310 LED with 32° beam spread integral lens, 2700K CCT, 90 CRI, 1200 lumens  
 Spacing Criteria ..... 0.5

### CANDLEPOWER DISTRIBUTION (Candela)



### LUMINANCE DATA

Vertical Angle	Candela/m²
45	9591
55	3427
65	32
75	0
85	0

### ZONAL LUMEN SUMMARY

Zone	Lumens	% Fixture
0 - 40°	1018	94.2
0 - 60°	1081	100.0
0 - 90°	1082	100.0
90 - 180°	0	0.0

### LUMINAIRE LIGHT OUTPUT AND EFFICACY

LED Light Engine	Luminaire Light Output	Luminaire Efficacy (lms/watt)	System Wattage
800 Lumens 90 CRI	703*	78*	9
1000 Lumens 90 CRI	843*	84*	10
1200 Lumens 90 CRI	1081	83	13
1500 Lumens 90 CRI	1265*	74*	17
1000 Lumens 80 CRI	876*	97*	9
1200 Lumens 80 CRI	1038*	104*	10
1500 Lumens 80 CRI	1297*	100*	13
1800 Lumens 80 CRI	1557*	92*	17

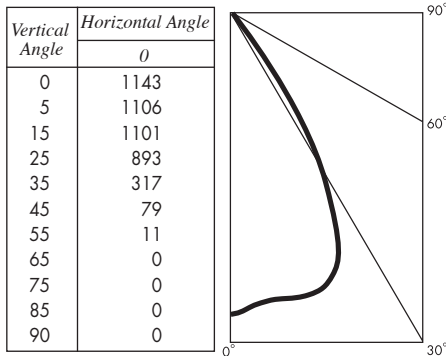
\*estimated values

## PHOTOMETRIC REPORT with 60° lens (tested per IESNA LM-79-2008)

**UL** Verification Services Report No. 11827425.09. Original test report furnished upon request.

Luminaire ..... recessed LED round downlight with semi-specular clear aluminum external reflector (NO DIFFUSER)  
 Light Source ..... Cree CXB1310 LED with 60° beam spread integral lens, 2700K CCT, 90 CRI, 1200 lumens  
 Spacing Criteria ..... 1.0

### CANDLEPOWER DISTRIBUTION (Candela)



### LUMINANCE DATA

Vertical Angle	Candela/m²
45	13830
55	2267
65	13
75	0
85	0

### ZONAL LUMEN SUMMARY

Zone	Lumens	% Fixture
0 - 40°	1017	93.0
0 - 60°	1093	100.0
0 - 90°	1093	100.0
90 - 180°	0	0.0

### LUMINAIRE LIGHT OUTPUT AND EFFICACY

LED Light Engine	Luminaire Light Output	Luminaire Efficacy (lms/watt)	System Wattage
800 Lumens 90 CRI	710*	79*	9
1000 Lumens 90 CRI	853*	85*	10
1200 Lumens 90 CRI	1093	84	13
1500 Lumens 90 CRI	1279*	75*	17
1000 Lumens 80 CRI	885*	98*	9
1200 Lumens 80 CRI	1049*	105*	10
1500 Lumens 80 CRI	1312*	101*	13
1800 Lumens 80 CRI	1574*	93*	17

\*estimated values

## STANDARD DMV DRIVER INFORMATION (UL Class 2, dry and damp location)

Voltage	120	277
Input Watts (I08H/L10H/L12H/L15H/L10S/L12S/L15S/L18S)	9/10/13/17/9/10/13/17	9/10/13/17/9/10/13/17
Input Current (A) (I08H/L10H/L12H/L15H/L10S/L12S/L15S/L18S)	08/08/11/14/08/08/11/14	03/04/05/06/03/04/05/06
Output Current (mA)	350-700	350-700
Min. Power Factor	.99	.99
Operating Temperature Range (F)	-13 to 122	-13 to 122

## LIGHT OUTPUT MULTIPLIER

LED Light Engine	Light Output Multiplier
800 Lumens 90 CRI	0.65*
1000 Lumens 90 CRI	0.78*
1200 Lumens 90 CRI	1
1500 Lumens 90 CRI	1.17*
1000 Lumens 80 CRI	0.81*
1200 Lumens 80 CRI	0.96*
1500 Lumens 80 CRI	1.20*
1800 Lumens 80 CRI	1.44*

\*estimated values