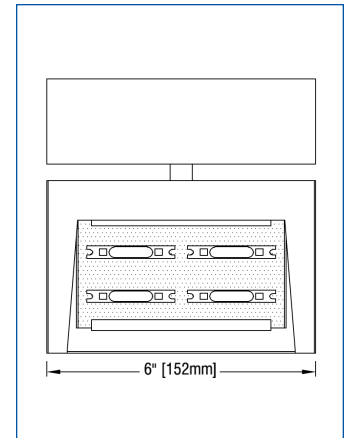
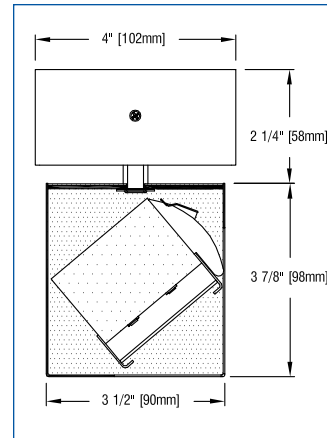


IDM STACKLITE® CZR-OBM

surface mounted LED wallwasher with integral dimmer



cross-section

IDM Stacklite CZR-OBM is a compact, surface mounted LED track wallwasher that provides uniform illumination on vertical surfaces. Fixture is powered by four Citizen chip-on-board linear LED arrays providing white light within 3-step MacAdam ellipses. See tables on reverse for wattages and efficacies.

- Fixture is designed for mounting on a 3 1/2" or 4" octagonal outlet box (by others).
- Whether operated on 120-volt or 277-volt track, luminaire may be dimmed to 10% by an integral rotary dimmer located in one side of the driver case. Dimmer control shaft is spring loaded, permitting shaft to be extended for adjustment and then depressed flush with the surface of the case, conserving the dimmer setting. 'Clock face' markings permit registration of dimmer setting. (See illustrations below.)
- The driver case is fixed in position as attached to the outlet box above. The fixture housing below may be rotated 360° in the horizontal plane by means of a concealed swivel.
- LED mounting assembly pivots vertically as much as 50° within fixture housing to adjust wallwash distribution as required. The pivot point is permanently tensioned, allowing the assembly to remain fixed at the desired angle. 'Protractor' marks indicate the degree of adjustment and simplify the setting of a row of fixtures. A highly efficient (92%) plastic diffuser obscures views into the fixture housing.
- Standard finish is matte white; also available in black and Industrial Silver matte paint finishes.
- For more information, [click here](#).

APPLICATIONS

Fixture is suitable for wallwashing in museums, galleries, showrooms, lobbies, public spaces, residences, offices and retail stores. The use of matte wall finishes is recommended to avoid specular reflections.

Fixture is listed for Damp Location mounting on a standard 3 1/2" or 4" octagonal outlet box (by others).

PRODUCT CODE

For complete product code, list basic unit and select one item from each following box.

Basic UnitIDM-STK-CZR-OB

Finish
 white paint finish - WH
 black paint finish - BL
 Industrial Silver paint finish - SI
 custom color paint finish: provide physical chip with order - CC

Light Source Output (Lumens)
 2000L / 90 CRI - L20
 2400L / 80 CRI - L24

Light Color
 3000 K with 80 CRI LED - 830
 3500 K with 80 CRI LED - 835
 3000 K with 90 CRI LED - 930
 3500 K with 90 CRI LED - 935

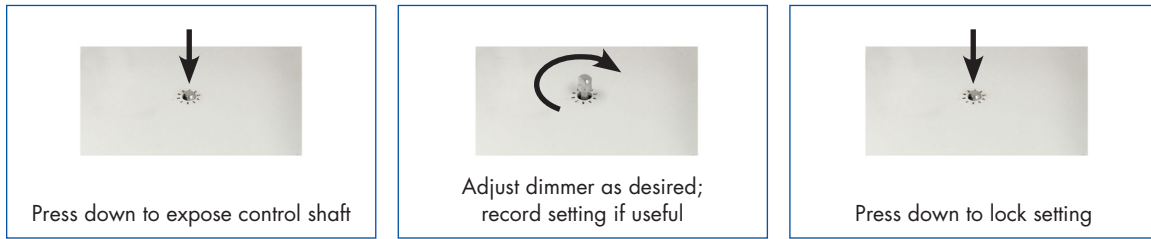
Dimming Notes:
 • Fixture may be dimmed only by its integral dimmer.
 • Fixture cannot be dimmed by a dimmer of any kind on the fixture circuit.
 • Fixture may be damaged by use of an incandescent or ELV dimmer on the fixture circuit.
 • Fixture will not be dimmed or damaged by use of a 0-10V dimmer on the fixture circuit.

► For fixtures modified for 2700K, 4000K or 5000K LED arrays, contact factory.



IDM STACKLITE CZR-OBM

DIMMER OPERATION



PHOTOMETRIC REPORT

Verification Services Report No. 847919. Original test report furnished upon request.

Luminaire surface-mounted LED wallwasher with light diffuser cover

Lamp 4 Citizen COB LEDs, 2000 lumens, 3000K, 90 CRI.

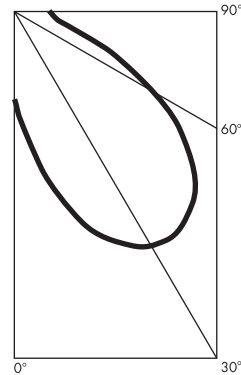
Lamp Life rated 50,000 hours based on L70/B50 criteria. LM80 report by LED manufacturer furnished upon request.

WALLWASH INFORMATION

Distance From Ceiling (Feet)	3' From Wall; 4' O.C		3'-6" From Wall; 4'-6" O.C	
	Below Fixture	Between Fixtures	Below Fixture	Between Fixtures
1	13	11	8	8
2	26	17	9	9
3	30	25	17	13
4	23	23	22	19
5	17	17	20	19
6	12	12	16	16
7	9	9	12	12
8	7	7	9	9
9	5	5	7	7
10			5	5

This table lists initial illuminance values at the center of a row of 10 fixtures with no contribution from ceiling or floor reflectance.

CANDLEPOWER DISTRIBUTION



LUMINAIRE LIGHT OUTPUT AND EFFICACY

LED Module Type	Luminaire Light Output	Luminaire Efficacy (lms/watt)	System Wattage
2000 Lumens 90 CRI	823	28	30
2400 Lumens 80 CRI	963*	32	30

*estimated values

LIGHT OUTPUT MULTIPLIER

LED Module Type	Light Output Multiplier
2000 Lumens 90 CRI	1
2400 Lumens 80 CRI	1.17*

*estimated values

STANDARD DRIVER INFORMATION

Voltage	120	277
Input Watts (2000L/2400L)	30/30	30/30
Input Current (A) (2000L/2400L)	.25/.25	.11/.11
Output Current (mA)	700	700
Min. Power Factor	>0.95	>0.95
Ambient Temperature Range (F)	-4 to113	-4 to113