

THREE PWG DL

recessed downlight



FEATURES

- **Three PWG DL is a 3" aperture downlight** designed for use with a Philips 12-volt, GU5.3 base, MR-16 shaped, 'WarmGlow' retrofit LED lamp (supplied by others).
 - Philips WarmGlow 6.5MR16...
- **This lamp dims from 2700K to 2200K**, providing an experience similar to the dimming profile of an incandescent lamp.
- **Reflector design minimizes aperture brightness with a shielding angle of 40°**. Recess depth is only 6".
- **Fixture accepts one or two of a number of [Optical Accessories](#)** including lenses, screens and color filters.
- **Reflectors are available in three clear natural aluminum finishes** — semi-specular (C), slightly diffuse (V) or fully diffuse (EC) — as well as champagne gold or black Alzak®. Other reflector finishes are available on special order.
- **Fixture includes a pair of mounting bars (3/4" x 27" C channel)**. Specialty bars for wood joist and T-bar installations are also available.
- **For more information, [click here](#).**

APPLICATIONS

Fixture is recommended for downlighting or accent lighting in stores, offices, museums, restaurants, showrooms, residences and hotels.

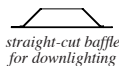
Fixture is listed for Damp Location. Fixture includes an integral electronic transformer suitable for 120-volt service only. Fixture is prewired with thermal protector, suitable for use in a fire rated ceiling and approved for ten #12 wire 90°C branch circuit pull-through wiring.



Removal of the reflector allows access to the transformer and junction box.



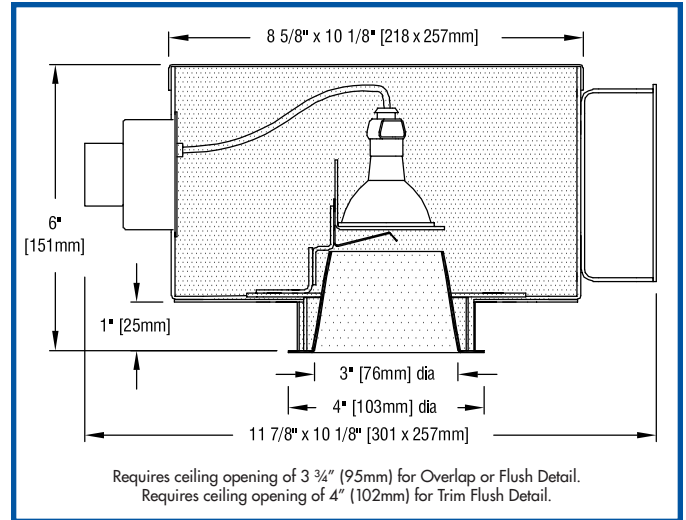
LIGHTPLATE DOWNLIGHT SPOT



straight-cut baffle for downlighting

Lamp (By Others) Dimming Info

Edison Price Lighting does not include lamps and does not sell either lamps or their accessories. For dimming compatibility consult the lamp manufacturer's website.



PRODUCT CODE

For complete product code, list basic unit and select one item from each following box.

Basic Unit THREE-MRE-DL-PWG

Reflector Color and Detail	Overlap	Trim Flush*
Semi-specular Clear	COL	CTF
Slightly diffuse Clear	VOL	VTF
Fully diffuse Clear	ECOL	ECTF
Champagne Gold	GOL	GTF
Black	BOL	BTF

Other reflector finishes available on special order.
 Standard reflector flange continues reflector finish. White painted flanges and custom painted flanges are available on special order. Add WF (white flange) or CCF (custom color flange).

*Trim Flush reflector trim requires the use of a **plaster ring** Accessory (see below).

▶ Reflectors detailed for metal or wood ceilings available on special order.

A **LightPlate** may be ordered instead of a standard reflector above.

LightPlate **Downlight Spot**, white..... DP3-OL DP3-TF

Custom painted trims for LightPlate are available on special order. Add -CC

ACCESSORIES Specify as a separate line item.

Plaster ring allows use of 3 3/4" OD Trim Flush (-TF) reflector in sheetrock ceiling; 4" dia hole required..... TF RING/3

OPTICAL ACCESSORIES ▶ over, please



OPTICAL ACCESSORIES

Specify as separate line items. All are 2 3/8" (60mm) diameter. Lenses and filters are glass; screens are aluminum.

diffuse glass	DGS/2.375
prismatic lens	PLS/2.375
55° spread lens	LENS/2.375
40° x 70° spread lens	LENS/2.375-4070
beam smoother	CLR/2.375
33% light reduction screen	SCR33/2.375
50% light reduction screen	SCR50/2.375

color filters	
surprise pink	PNK/2.375
daylight blue	DAY/2.375
amber	AMB/2.375
blue	BLU/2.375
green	GRN/2.375
red	RED/2.375

For current lamp performance data, consult lamp manufacturer's website.