

DARKLITE® A19E/5

recessed LED A lamp downlight/wallwasher



MADE IN USA

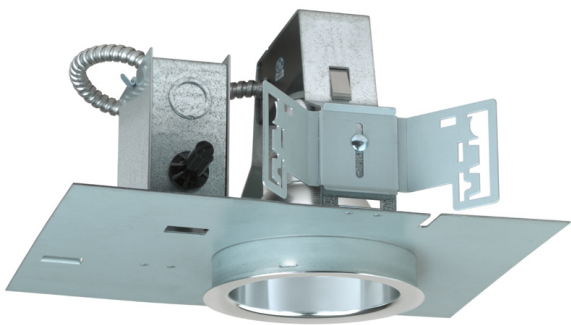
[Click here!](#)

FEATURES

- **Darklite A19E/5 is a 5" aperture downlight** which has been checked for fit and initial operation with A19 LED retrofit lamps manufactured by
 - Cree and
 - Green Creative.
- **The fixture provides a shielding angle of 42°:** Precise reflector design minimizes aperture brightness.
- **One basic housing allows interchangeable use of the downlight and wallwash reflectors.** This permits housings to be installed first and reflectors installed or changed at any time.
- **Reflectors are available in three clear natural aluminum finishes** — semi-specular (C), slightly diffuse (V) or fully diffuse (EC) — as well as champagne gold Alzak®. Other reflector finishes are available on special order. Wallwash reflectors available are: wallwash (120°), corner wallwash (210°) and double wallwash (2x120°).
- **Darklite A19E/5 includes a pair of mounting bars (3/4" x 27" C channel).** Specialty bars for wood joist and T-bar installations are also available.
- **For more information, [click here.](#)**

APPLICATIONS

Fixture is cULus listed for Damp Location. Fixture is prewired with thermal protector, approved for ten #12 wire 75°C branch circuit pull-through wiring and suitable for use in a fire rated ceiling. Removal of the reflector allows access to the junction box.

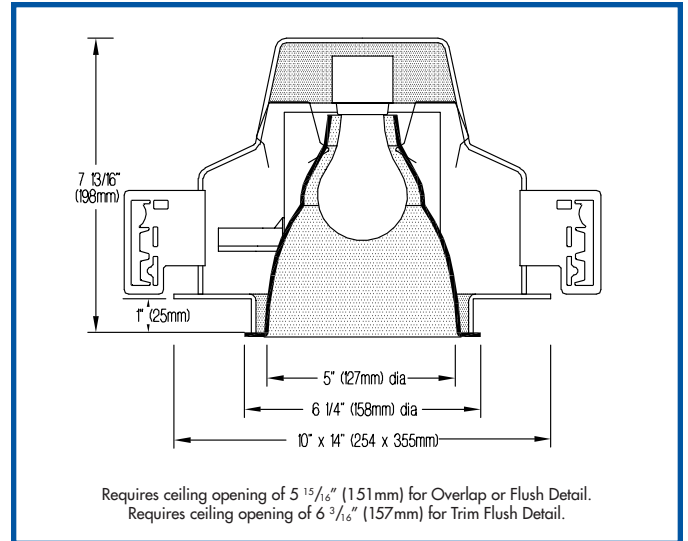


LAMPS BY OTHERS

Lamp (lightbulb) not included with fixture.

DIMMING

For dimming compatibility consult the lamp manufacturer's website.



PRODUCT CODE

For complete product code, list basic unit and select one item from each following box.

Basic UnitA19/5

Reflector Type

Downlightno suffix
Wallwash..... WW
Corner Wallwash CWW
Double Wallwash..... DWW

Reflector Color and Detail

	Overlap	Trim Flush*
Semi-specular Clear.....	COL.....	CTF
Slightly diffuse Clear.....	VOL.....	VTF
Fully diffuse Clear.....	ECOL.....	ECTF
Champagne Gold.....	GOL.....	GTF

Other reflector finishes are available on special order.

Overlap Flange continues reflector finish. White painted flanges and custom painted flanges are available on special order. Add WF (white flange) or CCF (custom color flange).

*Trim Flush reflector trim requires the use of a **plaster ring** Accessory (see below).

► Reflectors detailed for metal or wood ceilings available on special order.

ACCESSORIES

Specify as separate line items.

Plaster ring allows use of 5 7/8" OD Trim Flush (-TF) reflector in sheetrock ceiling; 6 3/16" dia hole required.....TF RING/5
277/120 volt **step-down transformer**,
300 watt maximum.....277/120 XFMR



41-50 22ND STREET, LIC NY 11101 TEL 718.685.0700 FAX 718.786.8530 www.epl.com

©Copyright, Edison Price Lighting 2018

®Darklite is a registered trademark of Edison Price Lighting

LED 0-363 5:18

DARKLITE A19E/5



Proration: The photometric data below is the result of a test with a 1740 lumen incandescent A19 lamp. To predict performance, prorate this data by the lumen output of the LED A19 lamp you choose

PHOTOMETRIC REPORT

Report No. 33191. Original Independent Testing Laboratories, Inc. (ITL) test report furnished upon request.

Luminaire recessed incandescent with spun aluminum reflector, specular finish
 Lamp 100-watt A-19, 1740 lumens
 Efficiency 67.1%
 Spacing Criterion..... 1.0

ZONAL LUMEN SUMMARY

Zone	Lumens	% Lamp	% Fixture
0 - 30°	721	41.6	62.0
0 - 40°	1053	60.5	90.1
0 - 60°	1167	67.1	100.0
0 - 90°	1168	67.1	100.0
90 - 180°	0	0.0	0.0
0 - 180°	1168	67.1	100.0

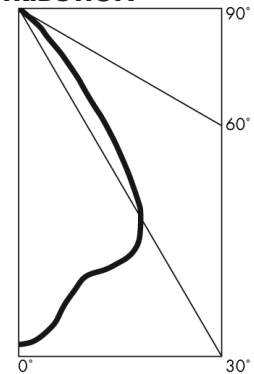
LUMINANCE DATA

Vertical Angle	Candela/m ²
45	14916
55	404
65	0
75	0
85	0

To convert cd/m² to footlamberts multiply by 0.2919.

CANDLEPOWER DISTRIBUTION

Vertical Angle	Candela
0	1052
5	1013
15	860
25	840
35	533
45	137
55	3
65	0
75	0
85	0
90	0



COEFFICIENTS OF UTILIZATION – ZONAL CAVITY METHOD

Effective Floor Cavity Reflectance 20%

Ceiling Reflectance (%)	80				70				50				30				10				0											
Wall Reflectance (%)	70	50	30	10	70	50	30	10	50	30	10	50	30	10	50	30	10	50	30	10	50	30	10	50	30	10	50	30	10	50	30	10
Room Cavity Ratio																																
0	80	80	80	80	78	78	78	78	75	75	75	71	71	71	68	68	68	67	67	67	66	65	65	63	63	63	60	60	60	57	57	57
1	77	75	73	72	75	73	72	71	71	70	69	68	67	67	66	65	65	63	63	63	60	60	60	57	57	57	54	54	54	51	51	51
2	73	70	68	66	72	69	67	65	67	65	64	65	64	62	63	62	61	60	60	60	57	57	57	54	54	54	51	51	51	48	48	48
3	70	66	63	61	69	65	63	60	64	61	59	62	60	58	60	59	58	57	57	57	54	54	54	51	51	51	48	48	48	45	45	45
4	67	62	59	56	66	62	58	56	60	58	55	59	57	55	58	56	54	53	53	53	50	50	50	47	47	47	44	44	44	41	41	41
5	64	59	55	52	63	58	55	52	57	54	52	56	53	51	55	52	51	50	50	50	47	47	47	44	44	44	41	41	41	38	38	38
6	61	55	51	49	60	55	51	49	54	51	48	53	50	48	52	50	48	49	49	49	46	46	46	43	43	43	40	40	40	37	37	37
7	58	52	48	45	57	51	48	45	50	47	45	50	47	45	49	46	44	47	47	47	44	44	44	41	41	41	38	38	38	35	35	35
8	55	48	45	42	54	48	44	42	47	44	42	47	44	42	46	43	41	44	44	44	41	41	41	38	38	38	35	35	35	32	32	32
9	52	45	41	39	51	45	41	39	44	41	39	44	41	38	43	40	38	41	41	41	38	38	38	35	35	35	32	32	32	29	29	29
10	49	42	39	36	48	42	38	36	42	38	36	41	38	36	41	38	36	39	39	39	36	36	36	33	33	33	30	30	30	27	27	27

DARKLITE A19E/5 WW

WALLWASH INFORMATION

Distance From Ceiling (Feet)	2'6" From Wall; 2'6" O.C.		3' From Wall; 3' O.C.	
	Below Fixture	Between Fixtures	Below Fixture	Between Fixtures
1	9	9	5	5
2	16	15	9	9
3	22	21	13	13
4	23	23	16	15
5	20	20	16	16
6	15	15	14	14
7	12	12	11	11
8	9	9	9	9
9	7	7	7	7

All vertical footcandles are initial values with no contribution from ceiling or floor reflectances. Computation performed with a total of five wallwashers.

