

DARKLITE® A19E/6

recessed LED A lamp downlight/wallwasher

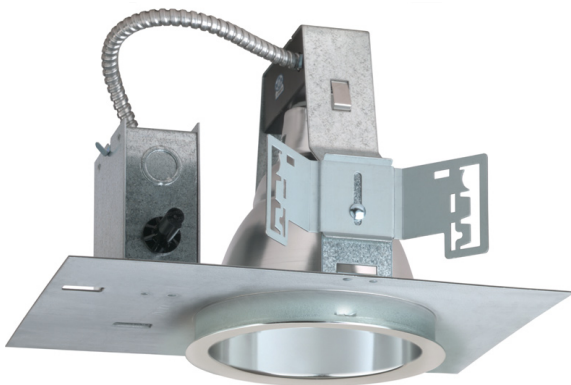


FEATURES

- **Darklite A19E/6 is a 6" aperture downlight** which has been checked for fit and initial operation with A19 LED retrofit lamps manufactured by
 - Cree and
 - Green Creative.
- **The fixture provides a shielding angle of 40°.** Precise reflector design minimizes aperture brightness.
- **One basic housing allows interchangeable use of the downlight and wallwash reflectors.** This permits housings to be installed first and reflectors installed or changed at any time.
- **Reflectors are available in three clear natural aluminum finishes** — semi-specular (C), slightly diffuse (V) or fully diffuse (EC) — as well as champagne gold Alzak®. Other reflector finishes are available on special order. Wallwash reflectors available are: wallwash (120°), corner wallwash (210°) and double wallwash (2x120°).
- **Darklite A19E/6 includes a pair of mounting bars (3/4" x 27" C channel).** Specialty bars for wood joist and T-bar installations are also available.
- **For more information, [click here](#).**

APPLICATIONS

Fixture is listed for Damp Location. Fixture is prewired with thermal protector, approved for ten #12 wire 75°C branch circuit pull-through wiring and suitable for use in a fire rated ceiling. Removal of the reflector allows access to the junction box.

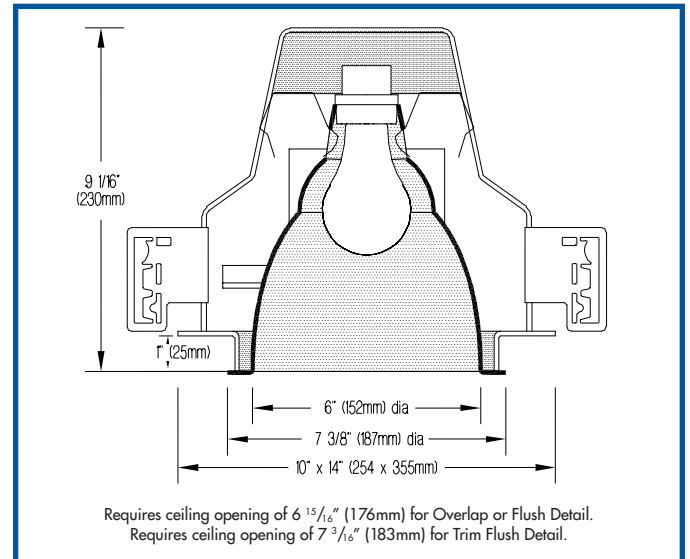


LAMPS BY OTHERS

Lamp (lightbulb) not included with fixture.

DIMMING

For dimming compatibility consult the lamp manufacturer's website.



PRODUCT CODE

For complete product code, list basic unit and select one item from each following box.

Basic Unit	A19/6	
Reflector Type		
Downlight	no suffix	
Wallwash	WW	
Corner Wallwash	CWW	
Double Wallwash	DWW	
Reflector Color and Detail	<i>Overlap</i>	<i>Trim Flush*</i>
Semi-specular Clear	COL	CTF
Slightly diffuse Clear	VOL	VTF
Fully diffuse Clear	ECOL	ECTF
Champagne Gold	GOL	GTF
Other reflector finishes are available on special order.		
Overlap Flange continues reflector finish. White painted flanges and custom painted flanges are available on special order. Add WF (white flange) or CCF (custom color flange).		
*Trim Flush reflector trim requires the use of a plaster ring Accessory (see below).		
▶ Reflectors detailed for metal or wood ceilings available on special order.		

ACCESSORIES

Specify as separate line items.

Plaster ring allows use of 6 7/8" OD Trim Flush (-TF) reflector in sheetrock ceiling; 7 3/16" dia hole required TF RING/6
 277/120 volt **step-down transformer**,
 300 watt maximum 277/120 XFMR



DARKLITE A19E/6



Proration: The photometric data below is the result of a test with a 1690 lumen incandescent A19 lamp. To predict performance, prorate this data by the lumen output of the LED A19 lamp you choose to use.

PHOTOMETRIC REPORT

Prorated from Report No. 32783. Original Independent Testing Laboratories, Inc. (ITL) test report furnished upon request.

Luminaire recessed incandescent with spun aluminum reflector, specular finish

Lamp 100-watt A-19, 1690 lumens

Efficiency 67.2%

Spacing Criterion..... 1.0

ZONAL LUMEN SUMMARY

Zone	Lumens	% Lamp	% Fixture
0 - 30°	631	37	56
0 - 40°	962	57	85
0 - 60°	1130	67	100
0 - 90°	1134	69	100
90 - 180°	0	0	0
0 - 180°	1134	67	100

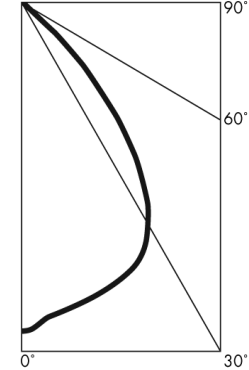
LUMINANCE DATA

Vertical Angle	Candela/m ²
45	16048
55	478
65	259
75	212
85	0

To convert cd/m² to footlamberts multiply by 0.2919.

CANDLEPOWER DISTRIBUTION

Vertical Angle	Candela
0	846
5	812
15	775
25	730
35	548
45	207
55	5
65	2
75	1
85	0
90	0



COEFFICIENTS OF UTILIZATION – ZONAL CAVITY METHOD

Effective Floor Cavity Reflectance 20%

Ceiling Reflectance (%)	80				70				50				30				10				0											
Wall Reflectance (%)	70	50	30	10	70	50	30	10	50	30	10	50	30	10	50	30	10	50	30	10	50	30	10	50	30	10	50	30	10	50	30	10
Room Cavity Ratio																																
0	80	80	80	80	78	78	78	78	75	75	75	71	71	71	69	69	69	67	67	67	67	67	67	67	67	67	67	67	67	67	67	67
1	76	75	73	71	75	73	72	70	70	69	68	68	67	66	66	65	64	63	63	63	63	63	63	63	63	63	63	63	63	63	63	63
2	73	70	67	65	71	69	66	64	67	65	63	65	63	62	63	61	60	59	59	59	59	59	59	59	59	59	59	59	59	59	59	59
3	69	65	62	60	68	64	61	59	63	60	58	61	59	57	60	58	56	55	55	55	55	55	55	55	55	55	55	55	55	55	55	55
4	66	61	58	55	65	60	57	55	59	56	54	58	55	53	56	54	53	52	52	52	52	52	52	52	52	52	52	52	52	52	52	52
5	63	57	53	50	61	56	53	50	55	52	50	54	51	49	53	51	49	48	48	48	48	48	48	48	48	48	48	48	48	48	48	48
6	59	53	50	47	58	53	49	47	52	49	46	51	48	46	50	48	46	45	45	45	45	45	45	45	45	45	45	45	45	45	45	45
7	56	50	46	43	55	49	45	43	48	45	43	48	45	42	47	44	42	41	41	41	41	41	41	41	41	41	41	41	41	41	41	41
8	53	46	42	39	52	46	42	39	45	42	39	44	41	39	44	41	39	38	38	38	38	38	38	38	38	38	38	38	38	38	38	38
9	50	43	39	36	49	42	39	36	42	38	36	41	38	36	41	38	36	37	37	37	37	37	37	37	37	37	37	37	37	37	37	37
10	47	40	36	33	46	39	36	33	39	35	33	38	35	33	38	35	33	36	36	36	36	36	36	36	36	36	36	36	36	36	36	36

DARKLITE A19E/6 WW

WALLWASH INFORMATION

Distance From Ceiling (Feet)	2'6" From Wall; 2'6" O.C.		3' From Wall; 3' O.C.	
	Below Fixture	Between Fixtures	Below Fixture	Between Fixtures
1	14	15	9	9
2	21	20	13	12
3	25	25	16	15
4	23	23	17	17
5	18	18	15	15
6	14	14	13	12
7	11	10	10	10
8	8	8	8	8
9	6	6	6	6

All vertical footcandles are initial values with no contribution from ceiling or floor reflectances. Computation performed with a total of five wallwashers.

