

DARKLITE® 30SE/6

recessed LED PAR 30 downlight



FEATURES

- **Darklite 30SE/6 is a 6" aperture downlight** which has been checked for fit and initial operation with a SORAA PAR30S (short neck) LED retrofit lamps (supplied by others). Precise reflector design minimizes aperture brightness, with a shielding angle of 40°.
- **Reflectors are available in three clear natural aluminum finishes** — semi-specular (C), slightly diffuse (V) or fully diffuse (EC) — as well as champagne gold or black Alzak®. Semi-specular, gold and black finishes are recommended for smooth beam patterns on light surfaces. Other reflector finishes are available on special order.
- **Darklite 30SE/6 includes a pair of mounting bars** (3/4" x 27" C channel). Specialty bars for wood joist and T-bar installations are also available.
- **For more information, [click here](#).**

APPLICATIONS

Fixture is recommended for downlighting or accent lighting in offices, stores, hotels, auditoriums, churches, residences and lobbies.

Fixture is  listed for Damp Location. Fixture is prewired with thermal protector, suitable for use in a fire rated ceiling, and approved for ten #12 wire 75°C branch circuit pull-through wiring. Removal of the housing from below allows access to the junction box.



Lamps By Others

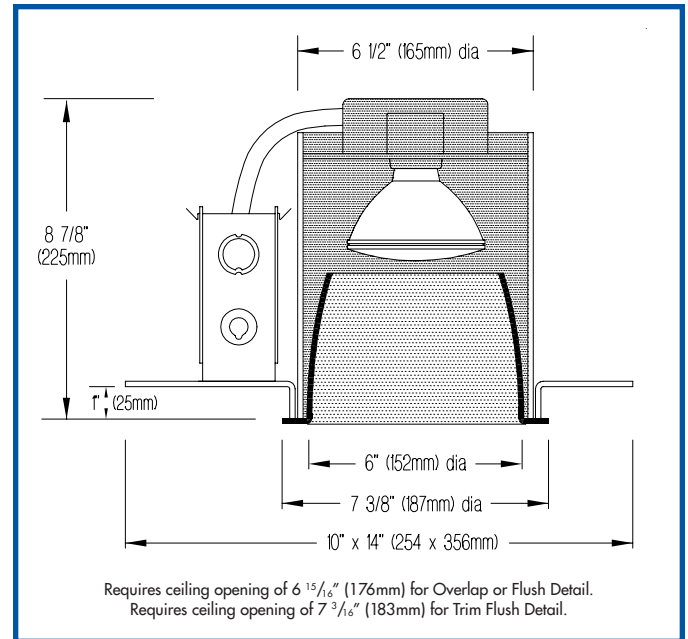
Edison Price Lighting does not include lamps and does not sell either lamps or their accessories.

Dimming

For dimming compatibility consult the lamp manufacturer's website.

Wireless Limitations

The wireless range of lamped fixtures will vary with lamp and site conditions



PRODUCT CODE

For complete product code, list basic unit and select one item from the following box.

Basic Unit DL 30/6

Reflector Color and Detail	Overlap Flange	Trim Flush*
Semi-specular Clear.....	COL.....	CTF
Slightly diffuse Clear.....	VOL.....	VTF
Fully diffuse Clear.....	ECOL.....	ECTF
Champagne Gold	GOL	GTF
Black	BOL.....	BTF
Other reflector finishes available on special order.		
Overlap Flange continues reflector finish. White painted flanges and custom painted flanges are available on special order. Add WF (white flange) or CCF (custom color flange).		
*Trim Flush reflector trim requires the use of a plaster ring Accessory (see below).		
▶ Reflectors detailed for metal or wood ceilings available on special order.		

Example: DL 30/6 COL WF is the complete product code for a fixture with semi-specular clear reflector and white painted overlap flange.

ACCESSORIES

Specify as a separate line item.

Plaster ring allows use of 6 7/8" OD Trim Flush (-TF) reflector in sheetrock ceiling; 7 3/16" dia hole required.....TF RING/6

277/120 volt **step-down transformer**,
300 watt maximum..... 277/120 XFMR

▶ Decorative reflector rings are available on special order. Contact factory.



DARKLITE 30SE/6



For current lamp performance data, consult lamp manufacturer's website.