

# MINIMAX™ LED NSP LH

track mounted LED open-aperture spotlight



MADE IN USA

[Click here!](#)



- Luminaire may be configured to mount to any of eighteen 20-amp, 120-volt [track systems](#) – or – to any of six 277-volt track systems.
- Luminaire may be ordered with one of a number of drivers.
- Quick Change Cartridge accepts one or two [Optical Accessories](#), including spread lenses, color filters and screens. A complimentary Beam Smoother is included.
- Beam spread is changed by removing the Quick Change Cartridge, replacing one 'twist and lock' [reflector](#) with another, and replacing the cartridge. Luminaire is ordered with a single reflector; one or both of the other reflectors may be ordered as accessories.
- An on-off rocker switch, mounted flush in the circular top of the luminaire, is included standard on luminaires equipped for 120 volt service only.
- A concealed swivel provides 385° horizontal rotation and vertical adjustment from 0° to 90°. The swivel is permanently tensioned, allowing the luminaire to remain fixed at any angle. Luminaire can be locked in place by depressing a hinged ('lever lock') bar so that it lies flush with the top of the housing. Lifting the lever lock frees the swivel.
- MiniMax luminaires have seamless aluminum housings and cast aluminum tops for lightweight durability and heat dissipation.
- For more information, [click here](#).

For the outlet box mounted version of this luminaire, see [MiniMax LED NSP LH-OBM](#).

MiniMax LED NSP LH is a track mounted 10° or 24° spotlight powered by one of a number of Xicato XTM 9mm modules – including Artist Series and Vibrant Series modules – all of which are distinguished by extraordinary color consistency (within 1x2-step MacAdam ellipse). See tables on the reverse for wattages and efficacies.

## PRODUCT CODE

For complete product code, list basic unit and select one item from each following box.

Basic Unit .....	MM-XTS-OH
Driver dimnable to 5% or 10% (see Light Output box below) by either an incandescent or ELV dimmer on 120-volt track only, seamless driver case, pictured, measures 5 5/16" x 1 13/16" x 1 5/8" .....	- DMP
Lutron LTE Hi-Lume driver dimmable to 1% with a Lutron incandescent dimmer on 120-volt track only; seamless driver case measures 5 3/8" x 3 5/8" x 1 7/8" .....	- DMI-LU
Track Configuration 120-volt track (e.g. SightLine) .....	- 2C
277-volt track (e.g. HighLine) .....	- HC
Finish white: includes white switch .....	- WH
black: includes black switch .....	- BL
Industrial Silver: includes black switch .....	- SI
custom color: specify switch color: white or black .....	- CC
Light Source Output 700 lumens / CRI 98 Artist .....	DMP (10%) - 07A
1000 lumens / CRI 98 Artist .....	DMP (5%) - 10A
1000 lumens / CRI 80+ standard .....	DMP (10%) - 10S
1000 lumens / CRI 80+ Vibrant ..... 3000K only .....	DMP (10%) - 10V
1300 lumens / CRI 80+ standard .....	DMP (5%) - 13S
1300 lumens / CRI 80+ Vibrant ..... 3000K only .....	DMP (5%) - 13V
Light Color 2700 K .....	- 27K
3000 K .....	- 30K
3500 K .....	- 35K
4000 K .....	- 40K
Beam Spread Reflector (specify one to ship with fixture) 10° narrow spot .....	- 10D
24° spot .....	- 24D

► For luminaires modified for 50A or 60A track systems, contact factory.

## EXTRA REFLECTORS *Specify as separate line items.*

10° narrow spot reflector .....	XTS-REF10-70
24° spot reflector .....	XTS-REF24-70

## OPTICAL ACCESSORIES ▼ *See next page*



41-50 22<sup>ND</sup> STREET, LIC NY 11101 TEL 718.685.0700 FAX 718.786.8530 [www.epl.com](http://www.epl.com)

©Copyright, Edison Price Lighting 2017

MiniMax is a pending trademark of Edison Price Lighting.

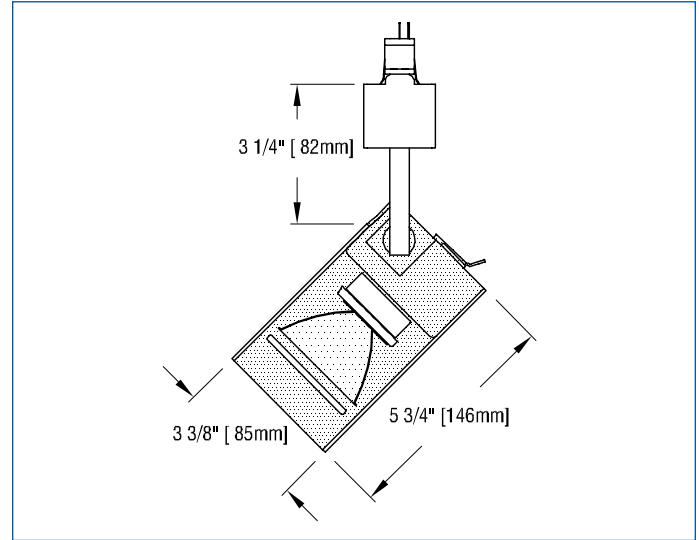
TF 11-105 7:17

## OPTICAL ACCESSORIES

Specify as separate line items.

All are 2 3/4" (70mm) dia. Lenses and filters are glass; screens are aluminum.

<b>diffuse glass</b> .....	DGS/2.75
<b>prismatic lens</b> (Solite) .....	PLS/2.75
<b>55° spread lens</b> .....	LENS/2.75
<b>40° x 70° spread lens</b> .....	LENS/2.75-4070
<b>beam smoother</b> included with fixture .....	CLR/2.75
<b>color filters</b>	
Daylight Blue .....	DAY/2.75
Surprise Pink .....	PNK/2.75
amber .....	AMB/2.75
blue .....	BLU/2.75
green .....	GRN/2.75
red .....	RED/2.75
<b>33% light reduction screen</b> .....	SCR33/2.75
<b>50% light reduction screen</b> .....	SCR50/2.75



## APPLICATIONS

Luminaire is listed for mounting on Edison Price Lighting 120-volt or 277-volt track.

**Fixture Spacing Requirements** The track adapter of this fixture is 7" long. For this reason 1) it cannot be track-mounted closer than 7 1/4" on center and 2) it cannot be used with 3 of our 7 **Unicep** single-fixture track units.

– see below for photometric reports –



## PHOTOMETRIC REPORT with 10° reflector (tested per IESNA LM-79-2008)

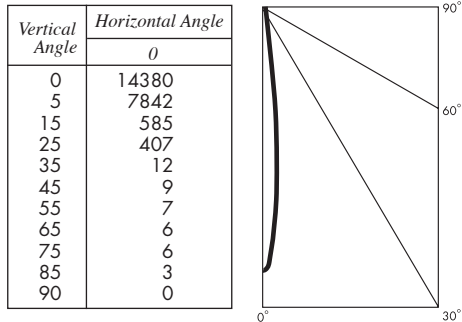
Verification Services Report No. 1197590. Original test report furnished upon request.

Luminaire ..... track-mounted LED accent light with a 10° reflector and black lens holder (NO LENS)

Lamp ..... Xicato XTM 9mm LED Module, 1300 lumens, 3000K

Lamp Life ..... rated 50,000 hours based on L70/B50 criteria. LM80 report by LED manufacturer furnished upon request

### CANDLEPOWER DISTRIBUTION (Candela)



### LUMINAIRE LIGHT OUTPUT AND EFFICACY

LED Module Type	Luminaire Light Output	Luminaire CBCP	Luminaire Efficacy (lms/watt)	System Wattage
700 Lumens Artist	496*	7909*	35*	14
1000 Lumens Artist	649*	10,353*	34*	19
1000 Lumens standard & Vibrant	685*	10,929*	49*	14
1300 Lumens standard & Vibrant	901	14,380	47	19

\*estimated values

## PHOTOMETRIC REPORT with 24° reflector (tested per IESNA LM-79-2008)

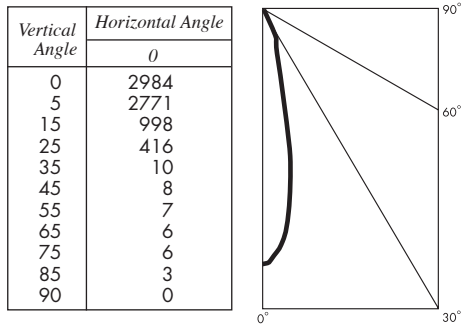
Verification Services Report No. 1197592. Original test report furnished upon request.

Luminaire ..... track-mounted LED accent light with a 24° reflector and black lens holder (NO LENS)

Lamp ..... Xicato XTM 9mm LED Module, 1300 lumens, 3000K

Lamp Life ..... rated 50,000 hours based on L70/B50 criteria. LM80 report by LED manufacturer furnished upon request

### CANDLEPOWER DISTRIBUTION (Candela)



### LUMINAIRE LIGHT OUTPUT AND EFFICACY

LED Module Type	Luminaire Light Output	Luminaire CBCP	Luminaire Efficacy (lms/watt)	System Wattage
700 Lumens Artist	393*	1641*	28*	14
1000 Lumens Artist	514*	2148*	27*	19
1000 Lumens standard & Vibrant	543*	2268*	39*	14
1300 Lumens standard & Vibrant	714	2984	37	19

\*estimated values

## STANDARD DRIVER INFORMATION (UL Class 2, dry and damp location)

Voltage	120	277
Input Watts (L07A/L10A/L10S&V/13S&V)	14/19/14/19	14/19/14/19
Input Current(A) (L07A/L10A/L10S&V/13S&V)	.12/.16/.12/.16	.05/.07/.05/.07
Output Current (mA)	500-700	500-700
Min. Power Factor	.99	.99
Operating Temperature Range (F)	-13 to 122	-13 to 122

## LIGHT OUTPUT MULTIPLIER

LED Module Type	Light Output Multiplier
700 Lumens Artist	.55*
1000 Lumens Artist	.72*
1000 Lumens standard & Vibrant	.76*
1300 Lumens standard & Vibrant	1.0

\*estimated values