

MIDIMAX™ LED O LH

track mounted LED open-aperture accent light



MADE IN USA

[Click here!](#)



MidiMax LED O LH is a track mounted accent light powered by one of a number of Xicato LED modules, all of which are distinguished by extraordinary color consistency (within 1x2-step MacAdam ellipse). See tables on the reverse for wattages and efficacies.

- Luminaire may be configured to mount to any of eighteen 20-amp, 120-volt [track systems](#) – or – to any of six 277-volt track systems.
- Luminaire may be ordered with one of a number of drivers.
- Beam spread is changed by removing the spring-mounted lens holder assembly, replacing one 'twist and lock' [reflector](#) with another, and re-inserting the lens holder assembly. Luminaire is ordered with a single reflector; one or both of the other reflectors may be ordered as accessories.
- A concealed swivel provides 385° horizontal rotation and vertical adjustment from 0° to 90°. The swivel is permanently tensioned, allowing the luminaire to remain fixed at any aiming angle.
- MidiMax LED O LH luminaires accept one or two of a number of [Optical Accessories](#), including spread lenses, color filters and light reduction screens. A complimentary Beam Smoother is included.
- MidiMax luminaires have seamless aluminum housings and cast aluminum tops for lightweight durability and heat dissipation.
- For more information, [click here](#).

For the outlet box mounted version of this luminaire, see [MidiMax LED O LH-OBM](#).

PRODUCT CODE

For complete product code, list basic unit and select one item from each following box.

Basic Unit	LX-XTM-OH
Track Configuration	
120-volt track (e.g. SightLine)	- 2C
277-volt track (e.g. HighLine)	no switch; not dimmable - HC
Beam Spread Reflector (specify one to ship with fixture)	
20° spot	- 20D
40° flood.....	- 40D
60° wide flood.....	- 60D
Finish	
white paint finish	- WH
black paint finish	- BL
Industrial Silver paint finish	- SI
custom color paint finish	include physical chip with order - CC
Driver	
dimmable to 10% (see Light Output box below) with electronic low voltage (ELV) dimmer on 120-volt track	- DME
dimmable to 5% (see Light Output box below) with either incandescent or electronic low voltage (ELV) dimmer on 120-volt track	- DMP
non dimmable (see Light Output box below) the only choice for 277-volt track; may be selected for 120-volt track as well	- UNV
Light Source Output	
1000 lumens / CRI 98 Artist	DMP (5%) or UNV - L10A
1400 lumens / CRI 98 Artist	DMP (5%) or UNV .. - L14A
1500 lumens / CRI 80+	DMP (5%) or UNV - L15S
1500 lumens / CRI 80+ Vibrant.. 3000K only ..	DMP (5%) or UNV - L15V
2100 lumens / CRI 80+	DMP (5%) or UNV - L21S
2100 lumens / CRI 80+ Vibrant.. 3000K only ..	DMP (5%) or UNV - L21V
2140 lumens / CRI 98 Artist	DME (10%) or UNV .. - L21A
3000 lumens / CRI 80+	DME (10%) or UNV .. - L30S
3000 lumens / CRI 80+ Vibrant.. 3000K only ..	DME (10%) or UNV .. - L30V
Light Color	
2700 K	- 27K
3000 K	- 30K
3500 K	- 35K
4000 K	- 40K

OPTIONS Specify by adding to the product code.

a rocker type on/off switch on fixture top, for use on 120-volt track only.....	- SW
<i>white switch for white fixture, black for Silver or black fixture, specify which for custom color fixture</i>	

► For luminaires modified for 50A or 60A track systems, contact factory.

EXTRA REFLECTORS Specify as separate line items.

20° spot reflector	XTM-REF20-72
40° flood reflector.....	XTM-REF40-72
60° wide flood reflector	XTM-REF60-70

OPTICAL ACCESSORIES ▼ See next page



41-50 22ND STREET, LIC NY 11101 TEL 718.685.0700 FAX 718.786.8530 www.epl.com

©Copyright, Edison Price Lighting 2018

MidiMax is a pending trademark of Edison Price Lighting.

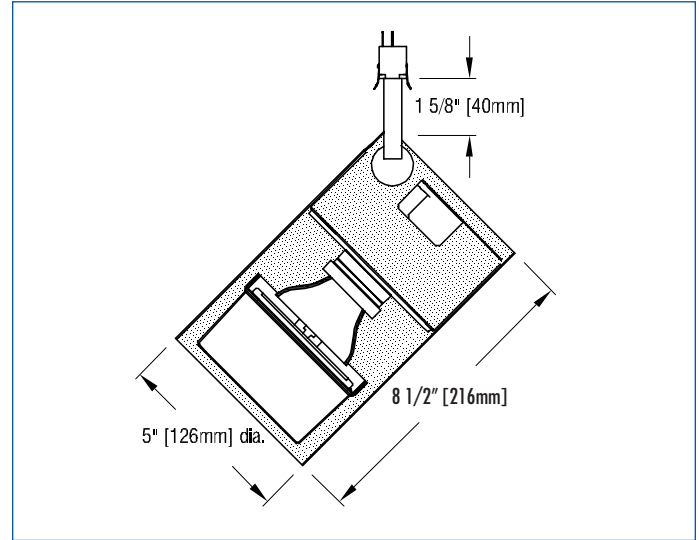
TF 11-122 1:18

OPTICAL ACCESSORIES

Specify as separate line items.

All are 3 3/4" (95mm) dia. Lenses and filters are glass; screens are aluminum.

55° spread lens	LENS/3.75
40° x 70° spread lens	LENS/3.75-4070
prismatic lens (Solite)	PLS/3.75
beam smoother included with fixture	CLR/3.75
color filters	
Daylight Blue	DAY/3.75
Surprise Pink	PNK/3.75
amber	AMB/3.75
blue	BLU/3.75
green	GRN/3.75
red	RED/3.75
33% light reduction screen	SCR33/3.75
50% light reduction screen	SCR50/3.75



APPLICATIONS

Luminaire is suitable for highlighting vertical or horizontal surfaces, as well as objects in museums, galleries, showrooms, residences, offices and stores.

Luminaire is listed for mounting on Edison Price Lighting 120-volt or 277-volt track.

– see below for photometric reports –



PHOTOMETRIC REPORT with 20° reflector (tested per IESNA LM-79-2008)

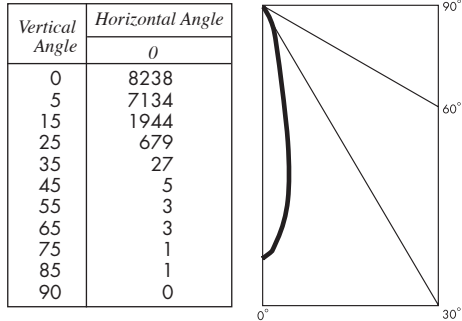
Verification Services Report No. 1164146. Original test report furnished upon request.

Luminaire track-mounted LED accent light with a 20° reflector and black lens holder (NO LENS)

Lamp Xicato XTM LED Module, 2100 lumens, 3000K

Lamp Life rated 50.000 hours based on L70/B50 criteria. LM80 report by LED manufacturer furnished upon request

CANDLEPOWER DISTRIBUTION (Candela)



LUMINAIRE LIGHT OUTPUT AND EFFICACY

LED Module Type	Luminaire Light Output	Luminaire Efficacy (lms/watt)	System Wattage
1000 Lumens Artist	694*	51*	14
1400 Lumens Artist	997*	47*	21
2100 Lumens Artist	1480*	56*	26
1500 Lumens standard & Vibrant	1106*	62*	18
2100 Lumens standard & Vibrant	1480	65	23
3000 Lumens standard & Vibrant	2072*	61*	34

*estimated values

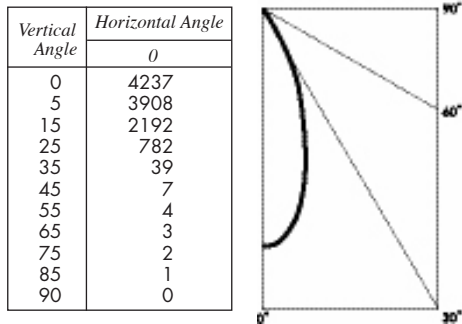
PHOTOMETRIC REPORT with 40° reflector (tested per IESNA LM-79-2008)

Verification Services Report No. 1164147. Original test report furnished upon request.

Luminaire track-mounted LED accent light with a 40° reflector and black lens holder (NO LENS)

Lamp Xicato XTM LED Module, 2100 lumens, 3000K Lamp Life see above

CANDLEPOWER DISTRIBUTION (Candela)



LUMINAIRE LIGHT OUTPUT AND EFFICACY

LED Module Type	Luminaire Light Output	Luminaire Efficacy (lms/watt)	System Wattage
1000 Lumens Artist	640*	47*	14
1400 Lumens Artist	920*	44*	21
2100 Lumens Artist	1366*	52*	26
1500 Lumens standard & Vibrant	1021*	57*	18
2100 Lumens standard & Vibrant	1366	60	23
3000 Lumens standard & Vibrant	1912*	56*	34

*estimated values

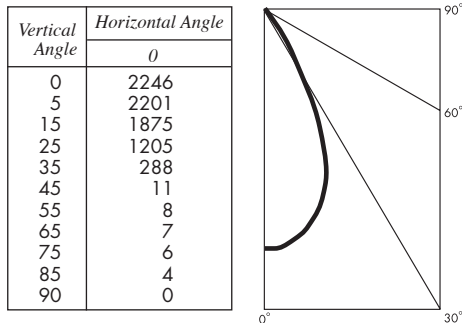
PHOTOMETRIC REPORT with 60° reflector (tested per IESNA LM-79-2008)

Verification Services Report No. 1164148. Original test report furnished upon request.

Luminaire track-mounted LED accent light with a 60° reflector and black lens holder (NO LENS)

Lamp Xicato XTM LED Module, 2100 lumens, 3000K Lamp Life see above

CANDLEPOWER DISTRIBUTION (Candela)



LUMINAIRE LIGHT OUTPUT AND EFFICACY

LED Module Type	Luminaire Light Output	Luminaire Efficacy (lms/watt)	System Wattage
1000 Lumens Artist	698*	51*	14
1400 Lumens Artist	1003*	48*	21
2100 Lumens Artist	1489*	57*	26
1500 Lumens standard & Vibrant	1106*	62*	18
2100 Lumens standard & Vibrant	1489	65	23
3000 Lumens standard & Vibrant	2085*	61*	34

*estimated values

STANDARD DRIVER INFORMATION (UL Class 2, dry and damp location)

Voltage	120	277
Input Watts (1000A/1400A/2100A/1500/2100/3000 lumens)	14/21/26/18/23/34	14/21/26/18/23/34
Input Current(A) (1000A/1400A/2100A/1500/2100/3000 lumens)	.12/18/22/15/19/28	.05/08/09/06/08/13
Output Current (mA)	500-1050	500-1050
Min. Power Factor	0.90	0.90
Operating Temperature Range (F)	-13 to 122	-13 to 122

LIGHT OUTPUT MULTIPLIER

LED Module Type	Light Output Multiplier
1000 Lumens Artist	.47*
1400 Lumens Artist	.67*
2100 Lumens Artist	1
1500 Lumens standard & Vibrant	.75*
2100 Lumens standard & Vibrant	1
3000 Lumens standard & Vibrant	1.40*