

IDM MIDIMAX™ LED O LH



MADE IN USA

[Click here!](#)

track mounted LED open-aperture accent light with integral dimmer



IDM MidiMax LED O LH is a track mounted accent light powered by one of a number of Xicato LED modules, all of which are distinguished by extraordinary color consistency (within 1x2-step MacAdam ellipse). See tables on the reverse for wattages and efficacies.

- Luminaire may be configured to mount to any of eighteen 20-amp, 120-volt [track systems](#) – or – to any of six 277-volt track systems. Luminaire is not suitable for use on 120-volt track systems dimmed by electronic low voltage (ELV) or incandescent dimming systems.
- Whether operated on 120-volt or 277-volt track, luminaire may be dimmed to 10% by an integral rotary dimmer located in the center of the housing top. Dimmer control shaft is spring loaded, permitting shaft to be expressed for adjustment and then depressed flush with the housing top to conserve dimmer setting. 'Clock face' markings permit registration of dimmer setting. (See illustrations below.)
- Beam spread is changed by removing the lens holder assembly, replacing one 'twist and lock' [reflector](#) with another, and re-inserting the lens holder assembly. Luminaire is ordered with a single reflector; one or both of the other reflectors may be ordered as accessories.
- A concealed swivel provides 385° horizontal rotation and vertical adjustment from 0° to 90°. The swivel is permanently tensioned, allowing the luminaire to remain fixed at any aiming angle.
- IDM MidiMax LED O LH luminaires accept one or two of a number of [Optical Accessories](#), including spread lenses, a beam smoother, color filters and light reduction screens. A complimentary Beam Smoother is included.
- MidiMax luminaires have seamless aluminum housings and cast aluminum tops for lightweight durability and heat dissipation.
- For more information, [click here](#).

For the outlet box mounted version of this luminaire, see [IDM MidiMax LED O-OBM](#).

PRODUCT CODE

For complete product code, list basic unit and select one item from each following box.

Basic Unit	IDM-LX-XTM-OH
Track Configuration	
120-volt track (e.g. SightLine)	- 2C
277-volt track (e.g. HighLine)	switch not available - HC
Beam Spread Reflector (specify one to ship with fixture)	
20° spot	- 20D
40° flood	- 40D
60° wide flood	- 60D
Finish	
white paint finish	- WH
black paint finish	- BL
Industrial Silver paint finish	- SI
custom color paint finish	include physical chip with order - CC
Light Source Output	
2100 lumens / CRI 98 Artist	- L21A
2100 lumens / CRI 80+	- L21S
2100 lumens / CRI 80+ Vibrant	3000K only - L21V
2700 lumens / CRI 80+	- L27S
2700 lumens / CRI 80+ Vibrant	3000K only - L27V
Light Color	
2700 K	- 27K
3000 K	- 30K
3500 K	- 35K
4000 K	- 40K

Dimming Notes:

- Fixture may be dimmed only by its integral dimmer.
- Fixture cannot be dimmed by a dimmer of any kind on the track circuit.
- Fixture may be damaged by use of an incandescent or ELV dimmer on the track circuit.
- Fixture will not be dimmed or damaged by use of a 0-10V dimmer on the track circuit.

OPTIONS *Specify by adding to the product code.*

a rocker type **on/off switch** on fixture top, for use on 120-volt track only

white switch for white fixture, black for Silver or black fixture, specify which for custom color fixture

► For luminaires modified for 50A or 60A track systems, contact factory.

EXTRA REFLECTORS *Specify as separate line items.*

20° spot reflector

40° flood reflector

60° wide flood reflector

OPTICAL ACCESSORIES ▼ *See next page*



41-50 22ND STREET, LIC NY 11101 TEL 718.685.0700 FAX 718.786.8530 [www.epl.com](#)

©Copyright, Edison Price Lighting 2018

MidiMax is a pending trademark of Edison Price Lighting.

TF 11-130 1:18

DIMMER OPERATION

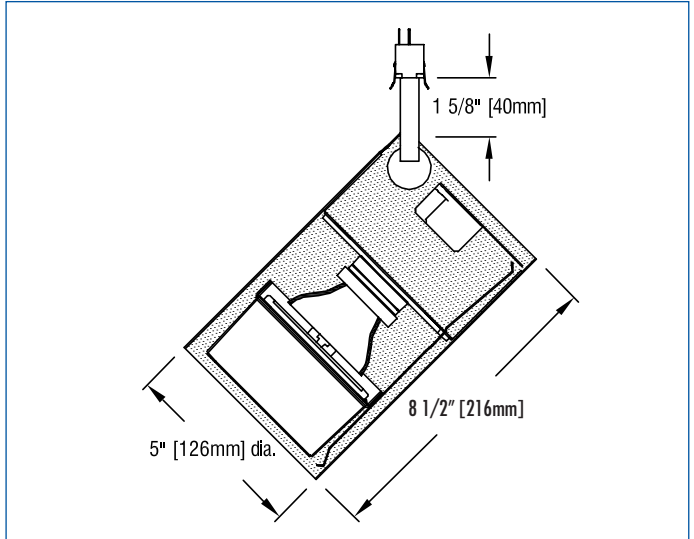


OPTICAL ACCESSORIES

Specify as separate line items.

All are 3 3/4" (95mm) dia. Lenses and filters are glass; screens are aluminum.

55° spread lens	LENS/3.75
40° x 70° spread lens	LENS/3.75-4070
prismatic lens (Solite)	PLS/3.75
beam smoother included with fixture	CLR/3.75
color filters	
Daylight Blue	DAY/3.75
Surprise Pink	PNK/3.75
amber	AMB/3.75
blue	BLU/3.75
green	GRN/3.75
red	RED/3.75
33% light reduction screen	SCR33/3.75
50% light reduction screen	SCR50/3.75



APPLICATIONS

Luminaire is suitable for highlighting vertical or horizontal surfaces, as well as objects in museums, galleries, showrooms, residences, offices and stores.

Luminaire is listed for mounting on Edison Price Lighting 120-volt or 277-volt track.

– see below for photometric reports –



PHOTOMETRIC REPORT with 20° reflector (tested per IESNA LM-79-2008)

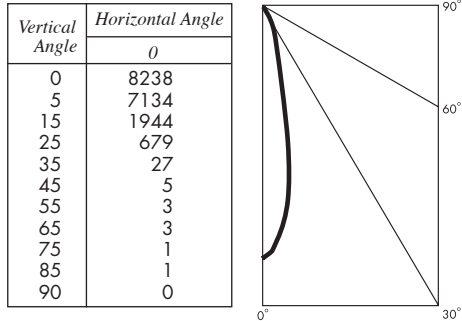
UL Verification Services Report No. 1164146. Original test report furnished upon request.

Luminaire track-mounted LED accent light with a 20° reflector and black lens holder (NO LENS)

Lamp Xicato XTM LED Module, 2100 lumens, 3000K

Lamp Life rated 50.000 hours based on L70/B50 criteria. LM80 report by LED manufacturer furnished upon request

CANDLEPOWER DISTRIBUTION (Candela)



LUMINAIRE LIGHT OUTPUT AND EFFICACY

LED Module Type	Luminaire Light Output	Luminaire Efficacy (lms/watt)	System Wattage
2100 Lumens Artist	1480*	56*	26
2100 Lumens standard & Vibrant	1480	65	23
2700 Lumens standard & Vibrant	1865*	71*	26

*estimated values

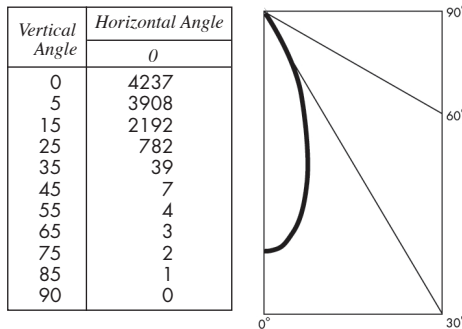
PHOTOMETRIC REPORT with 40° reflector (tested per IESNA LM-79-2008)

UL Verification Services Report No. 1164147. Original test report furnished upon request.

Luminaire track-mounted LED accent light with a 40° reflector and black lens holder (NO LENS)

Lamp Xicato XTM LED Module, 2100 lumens, 3000K Lamp Life see above

CANDLEPOWER DISTRIBUTION (Candela)



LUMINAIRE LIGHT OUTPUT AND EFFICACY

LED Module Type	Luminaire Light Output	Luminaire Efficacy (lms/watt)	System Wattage
2100 Lumens Artist	1366*	52*	26
2100 Lumens standard & Vibrant	1366	60	23
2700 Lumens standard & Vibrant	1721*	66*	26

*estimated values

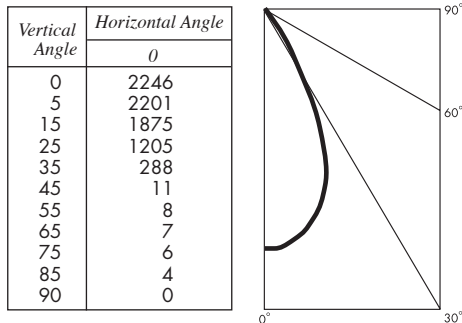
PHOTOMETRIC REPORT with 60° reflector (tested per IESNA LM-79-2008)

UL Verification Services Report No. 1164148. Original test report furnished upon request.

Luminaire track-mounted LED accent light with a 60° reflector and black lens holder (NO LENS)

Lamp Xicato XTM LED Module, 2100 lumens, 3000K Lamp Life see above

CANDLEPOWER DISTRIBUTION (Candela)



LUMINAIRE LIGHT OUTPUT AND EFFICACY

LED Module Type	Luminaire Light Output	Luminaire Efficacy (lms/watt)	System Wattage
2100 Lumens Artist	1489*	57*	26
2100 Lumens standard & Vibrant	1489	65	23
2700 Lumens standard & Vibrant	1876*	72*	26

*estimated values

STANDARD DRIVER INFORMATION (UL Class 2, dry and damp location)

Voltage	120	277
Input Watts (2100A/2100/2700 lumens)	26/23/26	26/18/26
Input Current(A) (2100A/2100/2700 lumens)	.22/.19/.22	.09/.08/.09
Output Current (mA)	700	700
Min. Power Factor	0.90	0.90
Operating Temperature Range (F)	-13 to 122	-13 to 122

LIGHT OUTPUT MULTIPLIER

LED Module Type	Light Output Multiplier
2100 Lumens Artist	1
2100 Lumens standard & Vibrant	1
2700 Lumens standard & Vibrant	1.26*