

IDM MAXIMA® CZS W

track mounted LED wallwasher with integral dimmer



- Luminaire may be configured to mount to any of eighteen 20-amp, 120-volt [track systems](#) – or – to any of six 277-volt track systems. Luminaire is not suitable for use on 120-volt track systems dimmed by electronic low voltage (ELV) or incandescent dimming systems.
- Whether operated on 120-volt or 277-volt track, luminaire may be dimmed to 10% by an integral rotary dimmer located in the center of the housing top. Dimmer control shaft is spring loaded, permitting shaft to be expressed for adjustment and then depressed flush with the housing top to conserve dimmer setting. ‘Clock face’ markings permit registration of dimmer setting. (See illustrations below.)
- The optical assembly for Maxima LED W consists of an aluminum reflector and a 40° x 70° spread lens. In addition, the assembly can accept one of a number of optional [Optical Accessories](#) including color filters and screens. Assembly is keyed relative to luminaire housing, to retain critical lens orientation.
- A concealed swivel provides 385° horizontal rotation and vertical adjustment from 0° to 90°. The swivel is permanently tensioned, allowing the luminaire to remain fixed at any aiming angle.
- Maxima luminaires have seamless aluminum housings and cast aluminum tops for lightweight durability and heat dissipation.
- For more information, [click here](#).

For the outlet box mounted version of this luminaire, see [IDM Maxima CZS W-OBM](#).

IDM Maxima CZS W is a track mounted wallwasher powered by Citizen chip-on-board LED’s providing either a CRI of 97 within 2-step MacAdam ellipses or a CRI of 80 within 3-step MacAdam ellipses. See tables on reverse for wattages and efficacies.

PRODUCT CODE

For complete product code, list basic unit and select one item from each following box.

Basic Unit	IDM- MX-CZS2-W
Track Configuration	
120-volt track (e.g. SightLine)	- 2C
277-volt track (e.g. HighLine)	no switch; not dimmable - HC
Finish	
white paint finish	- WH
black paint finish	- BL
Industrial Silver paint finish	- SI
custom color paint finish.....	include physical chip with order - CC
Light Source Output (Lumens)	
2800 lumens / 97 CRI	2700K & 3000K only - L28A
3600 lumens / 80 CRI	- L36S
Light Color	
2700 K	- 27K
3000 K	- 30K
3500 K	not available with all Light Outputs (see above) - 35K
4000 K	not available with all Light Outputs (see above) - 40K
Dimming Notes:	
<ul style="list-style-type: none"> • Fixture may be dimmed only by its integral dimmer. • Fixture cannot be dimmed by a dimmer of any kind on the track circuit. • Fixture may be damaged by use of an incandescent or ELV dimmer on the track circuit. • Fixture will not be dimmed or damaged by use of a 0-10V dimmer on the track circuit. 	

OPTIONS *Specify by adding to the product code.*

a rocker type on/off switch on fixture top, for use on 120-volt track only	- SW
white switch for white fixture, black for Silver or black fixture, specify which for custom color fixture	

► For luminaires modified for 50A or 60A track systems, contact factory.

OPTICAL ACCESSORIES ▼ *See next page*



DIMMER OPERATION



OPTICAL ACCESSORIES

Specify as separate line items; only for use with one of the above.
All are 4 3/4" (121mm) diameter. Lenses and filters are glass; screens are aluminum.

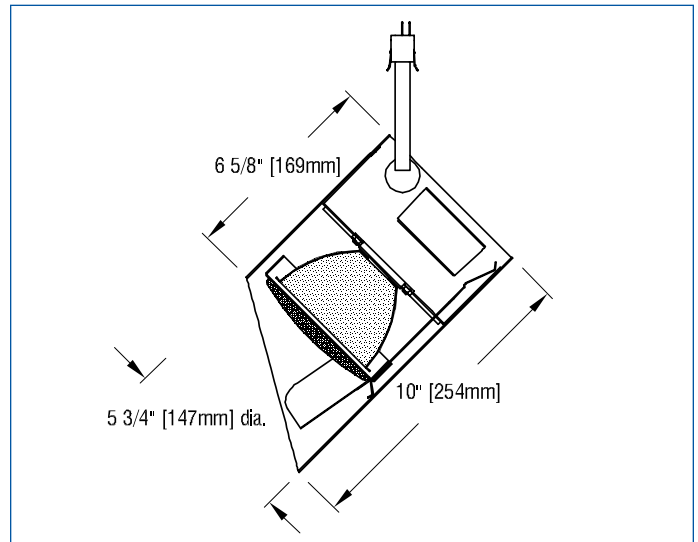
40° x 70° spread lens (included with fixture) LENS/4.75-4070

color filters

- Daylight Blue DAY/4.75
- Surprise Pink PNK/4.75
- amber AMB/4.75
- blue BLU/4.75
- green GRN/4.75
- red RED/4.75

33% light reduction screen SCR33/4.75

50% light reduction screen SCR50/4.75



APPLICATIONS

Luminaire is suitable for highlighting vertical surfaces in museums, galleries, showrooms, residences, offices and stores.

Luminaire is listed for mounting on Edison Price Lighting 120-volt or 277-volt track.

– see below for photometric reports –



PHOTOMETRIC REPORT (tested per IESNA LM-79-2008)

Verification Services Report No. 12186406.01. Original test report furnished upon request.

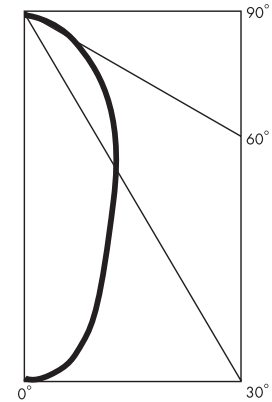
Luminaire track-mounted LED wallwasher with an internal reflector, a 40° x 70° spread lens and a specular kicker reflector.
 Lamp Citizen LED Module, 4000 lumens, 3000K
 Lamp Life rated 50.000 hours based on L70/B50 criteria. LM80 report by LED manufacturer furnished upon request

WALLWASH INFORMATION

Distance From Ceiling (Feet)	4' From Wall; 4' O.C. (2100 lumens)		4' 6" From Wall; 4' 6" O.C. (2100 lumens)		5' From Wall; 5' O.C. (3000 lumens)	
	Below Fixture	Between Fixtures	Below Fixture	Between Fixtures	Below Fixture	Between Fixtures
1	20	18	16	14	13	11
2	34	29	25	21	20	17
3	42	38	33	28	26	22
4	39	39	32	31	27	25
5	35	36	29	30	25	25
6	32	31	27	27	22	23
7	28	27	24	23	21	20
8	24	23	21	20	19	18
9	20	20	19	18	17	16
10	17	17	16	16	15	14
11	15	14	14	14	13	13
12	12	12	12	12	12	11
13	10	10	10	10	10	10
14	9	9	9	9	9	9
15	8	8	8	8	8	8
16	7	7	7	7	7	7
17	6	6	6	6	6	6
18	5	5	5	5	5	5

This table lists initial illuminance values at the center of a row of at least 5 fixtures with no contribution from ceiling or floor reflectance. Fixtures were modeled with maximum candlepower at 15° above vertical.

CANDLEPOWER DISTRIBUTION



STANDARD DRIVER INFORMATION (UL Class 2, dry and damp location)

Voltage	120	277
Input Watts (L36S/L28A)	27/27	27/27
Input Current(A) (L36S/L28A)	.23/.23	.10/.10
Output Current (mA)	700	700
Min. Power Factor 0.99	0.90	0.90
Operating Temperature Range (F)	-4 to 122	-4 to 122

LIGHT OUTPUT MULTIPLIER

LED Module Type	Light Output Multiplier
3600 Lumens 80 CRI (L36S)	0.91*
4000 Lumens 80 CRI (L40S) [test only]	1
2800 Lumens 97 CRI (L28A)	0.7*

LUMINAIRE LIGHT OUTPUT AND EFFICACY

LED Module Type	Luminaire Light Output	Luminaire Efficacy (lumens/watt)	System Wattage
3600 Lumens 80 CRI (L36S)	1815*	67*	27
2800 Lumens 97 CRI (L28A)	1396*	52*	27

*estimated values