

ARTIMA®/3 O BLUETOOTH



track mounted addressable LED cross-baffled accent light



- **Luminaire is equipped with a Xicato XIM Gen4 LED module, an IOT device with embedded micro-processor and Bluetooth Low Energy chip**, controllable via a smart device with iOS or Windows based apps. Features include
 - standard Bluetooth Wireless connectivity
 - addressable individually
 - on/off control
 - dimming to 0.1%
 - data collection and storage for power consumption and LED performance
 - direct listening to switches and sensors
 - embedded Eddystone, iBeacon and/or AltBeacon beacons
- **Luminaire may be configured to mount to any of eighteen 20-amp, 120-volt track systems** – or – to any of six 277-volt track systems.
- **A matte black cross-baffle assembly controls surface brightness and reduces spill light.** Lens orientation may be adjusted from below by rotating cross-baffles. The cross-baffle assembly is spring mounted but keyed relative to the fixture housing, to retain lens orientation once set.
- **Beam spread is changed by removing the cross-baffle assembly**, replacing one 'twist and lock' **reflector** with another, and re-inserting the cross-baffle assembly. Luminaire is ordered with a single reflector; one or both of the other reflectors may be ordered as accessories.
- **Luminaire provides 385° rotation and 90° vertical adjustment.** Focus can be locked by tightening two collar clamps using a ³/₃₂" hex key.
- **Luminaires accept one or two of a number of Optical Accessories**, including spread lenses, color filters and light reduction screens. A complimentary Beam Smoother is included.
- **For more information, [click here.](#)**

For the outlet box mounted version of luminaire, see **Artima/3 O-OBM Bluetooth**.

Artima/3 O Bluetooth is a track mounted accent light powered by one of a number of Xicato XIM (19mm) LED modules, all of which are distinguished by extraordinary color consistency (within 1x2-step MacAdam ellipse). See tables on the reverse for wattages and efficacies.

PRODUCT CODE

For complete product code, list basic unit and select one item from each following box.

Basic Unit	A3-XIM-OX
Track Configuration	
120-volt track (e.g. SightLine)	- 2C
277-volt track (e.g. HighLine)	no switch; not dimmable - HC
Finish	
white: white paint, white lead cord, matte aluminum heat sink	- WH
black: black paint, black lead cord, black heat sink	- BL
Industrial Silver: silver paint, black lead cord, black heat sink	- SI
custom color: include physical chip with order and select one from below	
• white lead cord, matte aluminum heat sink	- CCW
• black lead cord, black heat sink	- CCB
• any other combinations require a special order	

Beam Spread Reflector (<i>specify one to ship with fixture</i>)	
20° spot	- 20D
40° flood	- 40D
60° wide flood	- 60D

Light Source Output (Lumens)	
1300 lumens / CRI 98 Artist	- L13A
1300 lumens / CRI 80+ standard	- L13S
1300 lumens / CRI 80+ Vibrant	3000K only - L13V
2000 lumens / CRI 98 Artist	- L20A
2000 lumens / CRI 80+ standard	- L20S
2000 lumens / CRI 80+ Vibrant	3000K only - L20V

Light Color	
2700 K	- 27K
3000 K	- 30K
3500 K	- 35K
4000 K	- 40K

Circuit Limitations	
Luminaire operates only on track circuits with <u>no</u> dimmer on the circuit	

► For luminaires modified for 50A or 60A track systems, contact factory.

EXTRA REFLECTORS *Specify as separate line items.*

20° spot reflector	XTM-REF20-72
40° flood reflector	XTM-REF40-72
60° wide flood reflector	XTM-REF60-70

OPTICAL ACCESSORIES ▼ *See next page*

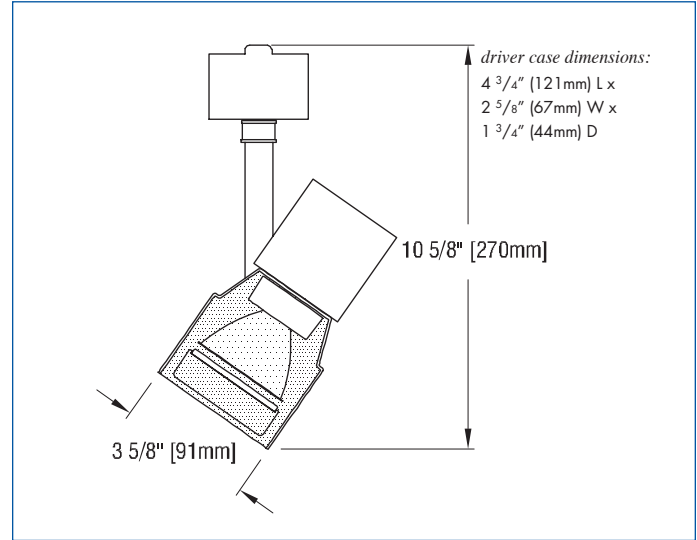


OPTICAL ACCESSORIES

Specify as separate line items.

All are 2 3/4" (70mm) dia. Lenses and filters are glass; screens are aluminum.

diffuse glass	DGS/2.75
prismatic lens (Solite)	PLS/2.75
55° spread lens	LENS/2.75
40° x 70° spread lens	LENS/2.75-4070
beam smoother included with fixture	CLR/2.75
color filters	
Daylight Blue	DAY/2.75
Surprise Pink	PNK/2.75
amber	AMB/2.75
blue	BLU/2.75
green	GRN/2.75
red	RED/2.75
33% light reduction screen	SCR33/2.75
50% light reduction screen	SCR50/2.75



APPLICATIONS

Luminaire is suitable for highlighting vertical or horizontal surfaces, as well as objects in museums, galleries, showrooms, residences, offices and stores.

Luminaire is listed for mounting on Edison Price Lighting 120-volt or 277-volt track.

Fixture Spacing Requirements The track adapter of this fixture is 6 3/8" long. For this reason 1) it cannot be track-mounted closer than 6 5/8" on center and 2) it cannot be used with 2 of our 7 **Unicep** single-fixture track units.

– see below for photometric reports –



PHOTOMETRIC REPORT with 20° reflector (tested per IESNA LM-79-2008)

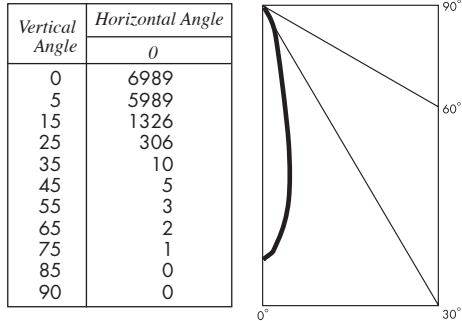
Prorated from Verification Services Report No. 1164149. Original test report furnished upon request.

Luminaire track-mounted LED accent light with a 20° reflector and black cross-baffle (NO LENS)

Lamp Xicato XIM (19mm) LED Module, 2000 lumens, 3000K, 80 CRI

Lamp Life rated 50.000 hours based on L70/B50 criteria. LM80 report by LED manufacturer furnished upon request

CANDLEPOWER DISTRIBUTION (Candela)



LUMINAIRE LIGHT OUTPUT AND EFFICACY

LED Module Type	Luminaire Light Output	Luminaire Efficacy (lms/watt)	System Wattage
1300 Lumens Artist	662*	34*	19
2000 Lumens Artist	1018*	32*	32
1300 Lumens standard & Vibrant	662*	44*	15
2000 Lumens standard & Vibrant	1018*	43*	24

*estimated values

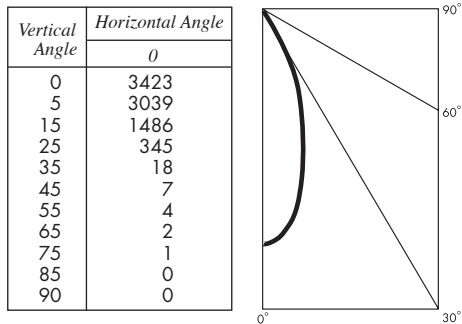
PHOTOMETRIC REPORT with 40° reflector (tested per IESNA LM-79-2008)

Prorated from Verification Services Report No. 1164150. Original test report furnished upon request.

Luminaire track-mounted LED accent light with a 40° reflector and black cross-baffle (NO LENS)

Lamp Xicato XIM (19mm) LED Module, 2000 lumens, 3000K, 80 CRI Lamp Lifesee above

CANDLEPOWER DISTRIBUTION (Candela)



LUMINAIRE LIGHT OUTPUT AND EFFICACY

LED Module Type	Luminaire Light Output	Luminaire Efficacy (lms/watt)	System Wattage
1300 Lumens Artist	564*	29*	19
2000 Lumens Artist	868*	27*	32
1300 Lumens standard & Vibrant	564*	37*	15
2000 Lumens standard & Vibrant	868*	36*	24

*estimated values

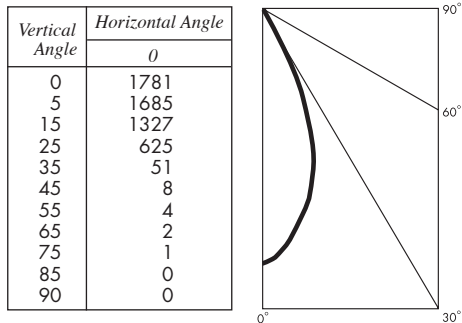
PHOTOMETRIC REPORT with 60° reflector (tested per IESNA LM-79-2008)

Prorated from Verification Services Report No. 1164151. Original test report furnished upon request.

Luminaire track-mounted LED accent light with a 60° reflector and black cross-baffle (NO LENS)

Lamp Xicato XIM (19mm) LED Module, 2000 lumens, 3000K, 80 CRI Lamp Lifesee above

CANDLEPOWER DISTRIBUTION (Candela)



LUMINAIRE LIGHT OUTPUT AND EFFICACY

LED Module Type	Luminaire Light Output	Luminaire Efficacy (lms/watt)	System Wattage
1300 Lumens Artist	563*	29*	19
2000 Lumens Artist	866*	27*	32
1300 Lumens standard & Vibrant	563*	37*	15
2000 Lumens standard & Vibrant	866*	36*	24

*estimated values

STANDARD DRIVER INFORMATION (UL Class 2, dry and damp location)

Voltage	120	277
Input Watts (1300A/2000A/1300S&V/2000S&V lumens)	19/32/15/24	19/32/15/24
Input Current(A) (1300A/2000A/1300S&V/2000S&V lumens)	.16/.27/.13/.20	.07/.12/.05/.09
Min. Power Factor	0.90	0.90
Operating Temperature Range (F)	-13 to 122	-13 to 122

LIGHT OUTPUT MULTIPLIER

LED Module Type	Light Output Multiplier
1300 Lumens Artist	.65*
2000 Lumens Artist	1
1300 Lumens standard & Vibrant	.65*
2000 Lumens standard & Vibrant	1

*estimated values