

ARTIMA®/3 W BLUETOOTH

track mounted addressable LED wallwasher



- Luminaire is equipped with a Xicato XIM Gen4 LED module, an IOT device with embedded micro-processor and Bluetooth Low Energy chip, controllable via a smart device with iOS or Windows based apps. Features include
 - standard Bluetooth Wireless connectivity
 - addressable individually
 - on/off control
 - dimming to 0.1%
 - data collection and storage for power consumption and LED performance
 - direct listening to switches and sensors
 - embedded Eddystone, iBeacon and/or AltBeacon beacons
- Luminaire may be configured to mount to any of eighteen 20-amp, 120-volt track systems – or – to any of six 277-volt track systems.
- The optical assembly consists of an aluminum reflector and a 40° x 70° spread lens. In addition, the assembly can accept one of a number of optional [Optical Accessories](#) including color filters and screens. Assembly is keyed relative to luminaire housing, to retain critical lens orientation.
- Luminaire provides 385° rotation and 90° vertical adjustment. Focus can be locked by tightening two collar clamps using a 3/32" hex key.
- For more information, [click here](#).

For the outlet box mounted version of luminaire, see [Artima/3 W-OBM Bluetooth](#).

Artima/3 W Bluetooth is a track mounted wallwasher powered by one of a number of Xicato XIM (19mm) LED modules, all of which are distinguished by extraordinary color consistency (within 1x2-step MacAdam ellipse). See tables below for wattages and efficacies.

PRODUCT CODE

For complete product code, list basic unit and select one item from each following box.

Basic Unit A3-XIM-W

Track Configuration
 120-volt track (e.g. SightLine) - 2C
 277-volt track (e.g. HighLine) no switch; not dimmable - HC

Finish
 white: white paint, white lead cord, matte aluminum heat sink - WH
 black: black paint, black lead cord, black heat sink - BL
 Industrial Silver: silver paint, black lead cord, black heat sink - SI
 custom color: include physical chip with order and select one from below
 • white lead cord, matte aluminum heat sink - CCW
 • black lead cord, black heat sink - CCB
 • any other combinations require a special order

Light Source Output (Lumens)
 1300 lumens / CRI 98 Artist - L13A
 1300 lumens / CRI 80+ standard - L13S
 1300 lumens / CRI 80+ Vibrant 3000K only - L13V
 2000 lumens / CRI 98 Artist - L20A
 2000 lumens / CRI 80+ standard - L20S
 2000 lumens / CRI 80+ Vibrant 3000K only - L20V

Light Color
 2700 K - 27K
 3000 K - 30K
 3500 K - 35K
 4000 K - 40K

Circuit Limitations
 Luminaire operates only on track circuits with no dimmer on the circuit

► For luminaires modified for 50A or 60A track systems, contact factory.

OPTICAL ACCESSORIES ▼ See next page

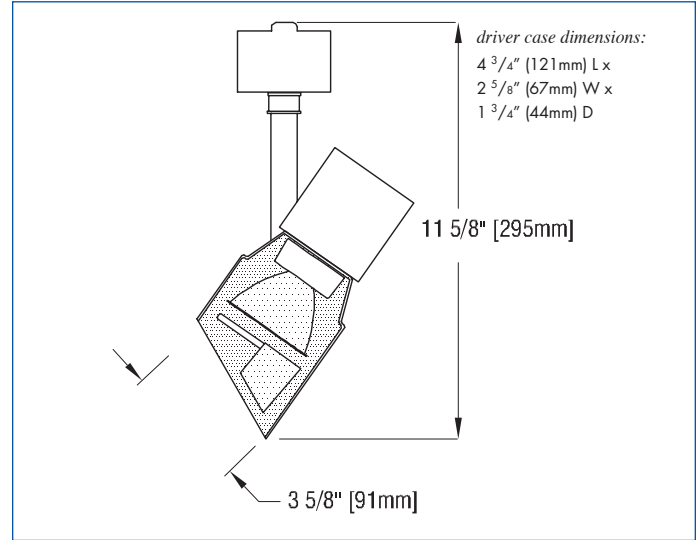


OPTICAL ACCESSORIES

Specify as separate line items; only for use with one of the above.

All are 2 3/4" (70mm) diameter. Lenses and filters are glass; screens are aluminum.

40° x 70° spread lens (included with fixture)	LENS/2.75-4070
color filters	
Daylight Blue	DAY/2.75
Surprise Pink	PNK/2.75
amber	AMB/2.75
blue	BLU/2.75
green	GRN/2.75
red	RED/2.75
33% light reduction screen	SCR33/2.75
50% light reduction screen	SCR50/2.75



APPLICATIONS

Luminaire is suitable for highlighting vertical surfaces in museums, galleries, showrooms, residences, offices and stores.

Luminaire is listed for mounting on Edison Price Lighting 120-volt or 277-volt track.

Fixture Spacing Requirements The track adapter of this fixture is 6 3/8" long. For this reason 1) it cannot be track-mounted closer than 6 5/8" on center and 2) it cannot be used with 2 of our 7 **Unicep** single-fixture track units.

– see below for photometric reports –



ARTIMA/3 W BLUETOOTH



PHOTOMETRIC REPORT (tested per IESNA LM-79-2008)

Prorated from Verification Services Report No. 1164145. Original test report furnished upon request.

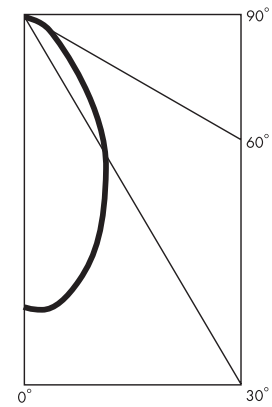
Luminaire track-mounted LED wallwasher with a 60° internal reflector, a 40° x 70° spread lens and a specular hammer tone kicker reflector.
 Lamp Xicato XIM (19mm) LED Module, 2000 lumens, 3000K, 80 CRI
 Lamp Life rated 50.000 hours based on L70/B50 criteria. LM80 report by LED manufacturer furnished upon request

WALLWASH INFORMATION

Distance From Ceiling (Feet)	3' From Wall; 3' O.C. (2100 lumens)		3' 6" From Wall; 3' 6" O.C. (2100 lumens)		4' From Wall; 4' O.C. (2700 lumens)	
	Below Fixture	Between Fixtures	Below Fixture	Between Fixtures	Below Fixture	Between Fixtures
1	17	15	14	12	10	10
2	29	25	21	18	16	14
3	32	30	26	23	20	18
4	29	29	25	25	20	20
5	26	25	22	22	20	20
6	21	20	19	19	18	18
7	17	16	16	15	16	15
8	13	13	13	12	13	13
9	10	10	10	10	11	11
10	9	9	9	9	10	10
11	7	7	7	7	9	9
12	6	6	6	6	8	8
13					7	7
14					6	6
15					5	5

This table lists initial illuminance values at the center of a row of at least 5 fixtures with no contribution from ceiling or floor reflectance. Fixtures were modeled with maximum candlepower at 10° to 15° above vertical.

CANDLEPOWER DISTRIBUTION



STANDARD DRIVER INFORMATION (UL Class 2, dry and damp location)

Voltage	120	277
Input Watts (1300A/2000A/1300S&V/2000S&V lumens)	19/32/15/24	19/32/15/24
Input Current(A) (1300A/2000A/1300S&V/2000S&V lumens)	.16/.27/.13/.20	.07/.12/.05/.09
Min. Power Factor	0.90	0.90
Operating Temperature Range (F)	-13 to 122	-13 to 122

LUMINAIRE LIGHT OUTPUT AND EFFICACY

LED Module Type	Luminaire Light Output	Luminaire Efficacy (lms/watt)	System Wattage
1300 Lumens Artist	647*	33*	19
2000 Lumens Artist	995*	31*	32
1300 Lumens standard & Vibrant	647*	43*	15
2000 Lumens standard & Vibrant	995*	42*	24

*estimated values

LIGHT OUTPUT MULTIPLIER

LED Module Type	Light Output Multiplier
1300 Lumens Artist	.65*
2000 Lumens Artist	1
1300 Lumens standard & Vibrant	.65*
2000 Lumens standard & Vibrant	1

*estimated values