

ARTIMA®/3 NSP LH

track mounted LED open-aperture spotlight



MADE IN USA

[Click here!](#)



Artima/3 NSP LH is a track mounted 10° or 24° spotlight powered by one of a number of Xicato 9mm XTM LED modules – including Artist Series and Vibrant Series modules – all of which are distinguished by extraordinary color consistency (within 1x2-step MacAdam ellipse). See tables on the reverse for wattages and efficacies.

- Luminaire may be configured to mount to any of eighteen 20-amp, 120-volt track systems – or – to any of six 277-volt track systems.
- Luminaire may be ordered with one of a number of drivers. An on-off rocker switch, mounted in the driver case, is included standard on luminaires equipped for 120-volt track only.
- Beam spread may be changed by removing the spring-mounted lens holder assembly, replacing one 'twist an lock' reflector with the other, and re-inserting the lens holder assembly. Luminaire is ordered with a single reflector; the other reflector may be ordered as an accessory.
- Lens holder assembly accepts one or two of a number of [Optical Accessories](#) including spread lenses and color filters. Complimentary Beam Smoother is included. Note that, for enhanced efficiency, cross-baffles are not included. Lens holder assembly is spring-mounted for easy removal and adjustment.
- Luminaire provides 385° horizontal rotation and vertical adjustment from 0° to 90°. Lamp focus can be locked by tightening two collar clamps using a 3/32" hex key.
- For more information, [click here](#).

For the outlet box mounted version of luminaire, see [Artima/3 NSP LH-OBM](#).

PRODUCT CODE

For complete product code, list basic unit and select one item from each following box.

Basic Unit	A3-XTS-OH
Driver	
dimmable to 5% or 10% (see Light Output box below) with either incandescent or ELV dimmer on 120-volt track only, seamless driver case, pictured, measures 7" x 2" x 1 7/8"	- DMP
dimmable to 1% with a Lutron® incandescent dimmer on 120-volt track only, seamless driver case measures 5 3/4" x 3 5/8" x 1 7/8"	- DM-LU
Track Configuration	
120-volt track (e.g. SightLine)	- 2C
277-volt track (e.g. HighLine)	no switch; not dimmable - HC
Light Source Output (Lumens)	
700L /CRI 98 Artist	DMP (10%) - L07A
1000L /CRI 98 Artist	DMP (5%) - L10A
1000L /CRI 80+	DMP (10%) - L10S
1000L /CRI 80+ Vibrant.....	3000K only DMP (10%) - L10V
1300L /CRI 98 Artist	DMP (5%) - L13A
1300L /CRI 80+	DMP (5%) - L13S
1300L /CRI 80+ Vibrant.....	3000K only DMP (5%) - L13V
1600L /CRI 98 Artist	DMP (5%) - L16A
2000L /CRI 80+	DMP (5%) - L20S
2000L /CRI 80+ Vibrant.....	3000K only DMP (5%) - L20V
Light Color	
2700 K	- 27K
3000 K	- 30K
3500 K	- 35K
4000 K	- 40K
Beam Spread Reflector (specify one to ship with fixture)	
10° narrow spot	- 10D
24° spot	- 24D
Finish	
white: white paint, white lead cord, matte aluminum heat sink; white switch	- WH
black: black paint, black lead cord, black heat sink; black switch	- BL
Industrial Silver: silver paint, black lead cord, black heat sink; black switch	- SI
custom color: include physical chip with order and select one from below	
• white lead cord, matte aluminum heat sink; white switch	- CCW
• black lead cord, black heat sink; black switch	- CCB
• any other combinations require a special order	

► For luminaires modified for 50A or 60A track systems, contact factory.

EXTRA REFLECTORS *Specify as separate line items.*

10° narrow spot reflector.....	XTS-REF10-72
24° spot reflector.....	XTS-REF24-70

OPTICAL ACCESSORIES ▼ *See next page*



41-50 22ND STREET, LIC NY 11101 TEL 718.685.0700 FAX 718.786.8530 www.epl.com

©Copyright, Edison Price Lighting 2017

Artima is a registered trademark of Edison Price Lighting.

TF 11-168

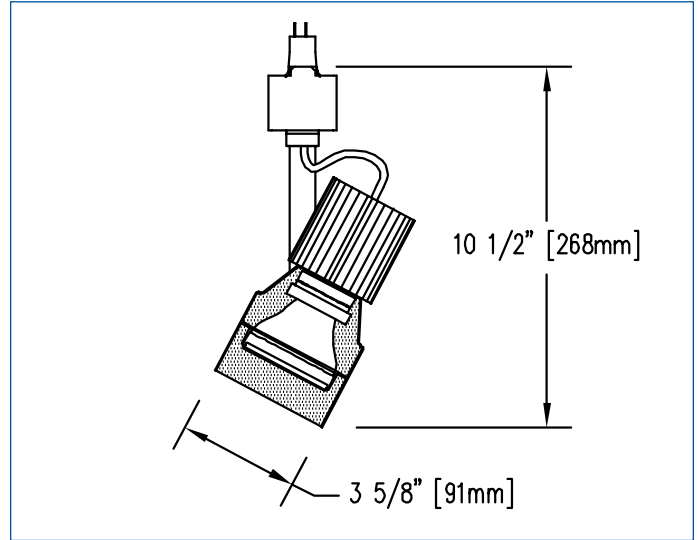
11:17

OPTICAL ACCESSORIES

Specify as separate line items.

All are 2 3/4" (70mm) dia. Lenses and filters are glass; screens are aluminum.

diffuse glass	DGS/2.75
prismatic lens (Solite)	PLS/2.75
55° spread lens	LENS/2.75
40° x 70° spread lens	LENS/2.75-4070
beam smoother included with fixture	CLR/2.75
color filters	
Daylight Blue	DAY/2.75
Surprise Pink	PNK/2.75
amber	AMB/2.75
blue	BLU/2.75
green	GRN/2.75
red	RED/2.75
33% light reduction screen	SCR33/2.75
50% light reduction screen	SCR50/2.75



APPLICATIONS

Luminaire is listed for mounting on Edison Price Lighting 120-volt or 277-volt track.

Fixture Spacing Requirements The track adapter of this fixture is as much as 8 5/8" long. For this reason 1) it cannot be track-mounted closer than 9 1/8" on center and 2) it cannot be used with 5 of our 7 **Unicep** single-fixture track units.

– see below for photometric reports –



PHOTOMETRIC REPORT with 10° reflector (tested per IESNA LM-79-2008)

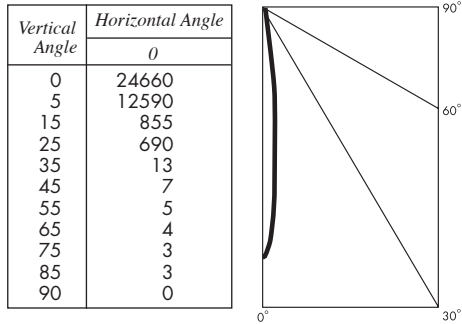
Verification Services Report No. 1222995. Original test report furnished upon request.

Luminaire track-mounted LED accent light with a 10° reflector and black lens holder (NO LENS)

Lamp Xicato 9mm XTM LED Module, 2000 lumens, 3000K

Lamp Life rated 50.000 hours based on L70/B50 criteria. LM80 report by LED manufacturer furnished upon request

CANDLEPOWER DISTRIBUTION (Candela)



LUMINAIRE LIGHT OUTPUT AND EFFICACY

LED Module Type	Luminaire Light Output	Luminaire CBCP	Luminaire Efficacy (lms/watt)	System Wattage
700 Lumens Artist	512*	8890*	36*	14
1000 Lumens Artist	674*	11,696*	36*	19
1300 Lumens Artist	933*	16,189*	31*	30
1600 Lumens Artist	1108*	19,235*	29*	38
1000 Lumens standard & Vibrant	706*	12,136*	50*	14
1300 Lumens standard & Vibrant	942*	16,350*	50*	19
2000 Lumens standard & Vibrant	1421	24,660	38	38

*estimated values

PHOTOMETRIC REPORT with 24° reflector (tested per IESNA LM-79-2008)

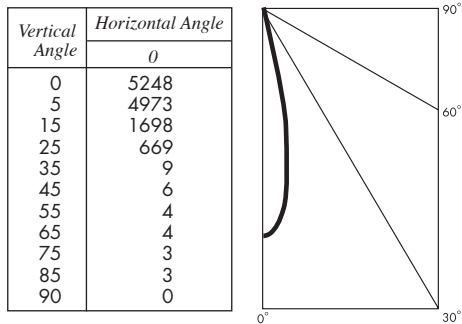
Verification Services Report No. 1222996. Original test report furnished upon request.

Luminaire track-mounted LED accent light with a 24° reflector and black lens holder (NO LENS)

Lamp Xicato 9mm XTM LED Module, 2000 lumens, 3000K

Lamp Life rated 50.000 hours based on L70/B50 criteria. LM80 report by LED manufacturer furnished upon request

CANDLEPOWER DISTRIBUTION (Candela)



LUMINAIRE LIGHT OUTPUT AND EFFICACY

LED Module Type	Luminaire Light Output	Luminaire CBCP	Luminaire Efficacy (lms/watt)	System Wattage
700 Lumens Artist	457*	1855*	32*	14
1000 Lumens Artist	602*	2465*	32*	19
1300 Lumens Artist	833*	3445*	27*	30
1600 Lumens Artist	990*	4093*	26*	38
1000 Lumens standard & Vibrant	631*	2608*	45*	14
1300 Lumens standard & Vibrant	841*	3479*	44*	19
2000 Lumens standard & Vibrant	1269	5248	34	38

*estimated values

STANDARD DRIVER INFORMATION (UL Class 2, dry and damp location)

Voltage	120	277
Input Watts (L07A/L10A/L13A/L16A/L10S&V/L13S&V/L20S&V)	14/19/30/38/14/19/38	14/19/30/38/14/19/38
Input Current(A) (L07A/L10A/L13A/L16A/L10S&V/L13S&V/L20S&V)	.12/.16/.25/.32/.12/.16/.32	.05/.07/.11/.14/.05/.07/.14
Output Current (mA)	500-1050	500-1050
Min. Power Factor	.99	.99
Operating Temperature Range (F)	-13 to 122	-13 to 122

LIGHT OUTPUT MULTIPLIER

LED Module Type	Light Output Multiplier
700 Lumens Artist	.36*
1000 Lumens Artist	.47*
1300 Lumens Artist	.65*
1600 Lumens Artist	.78*
1000 Lumens standard & Vibrant	.50*
1300 Lumens standard & Vibrant	.66*
2000 Lumens standard & Vibrant	1