

# ARTIMA®/3 NSP LH BLUETOOTH

track mounted addressable LED open-aperture spotlight



- **Luminaire is equipped with a Xicato XIM Gen4 LED module**, an IOT device with embedded micro-processor and Bluetooth Low Energy chip, controllable via a smart device with iOS or Windows based apps. Features include
  - standard Bluetooth Wireless connectivity
  - addressable individually
  - on/off control
  - dimming to 0.1%
  - data collection and storage for power consumption and LED performance
  - direct listening to switches and sensors
  - embedded Eddystone, iBeacon and/or AltBeacon beacons
- **Luminaire may be configured to mount to any of eighteen 20-amp, 120-volt track systems** – or – to any of six 277-volt track systems.
- **Beam spread may be changed by removing the spring-mounted lens holder assembly**, replacing one 'twist a lock' [reflector](#) with the other, and re-inserting the lens holder assembly. Luminaire is ordered with a single reflector; the other reflector may be ordered as an accessory.
- **Lens holder assembly accepts one or two of a number of [Optical Accessories](#)** including spread lenses and color filters. Complimentary Beam Smoother is included. Note that, for enhanced efficiency, cross-baffles are not included.
- **Luminaire provides 385° rotation and 90° vertical adjustment.** Focus can be locked by tightening two collar clamps using a 3/32" hex key.
- **For more information, [click here](#).**

**USB Key**  
To address this fixture from a Windows-based PC, laptop or tablet, a USB key (dongle) is required. Contact factory for USB key.

For the outlet box mounted version of luminaire, see [Artima/3 NSP LH-OBM Bluetooth](#).

Artima/3 NSP LH Bluetooth is a track mounted 10° or 24° spotlight powered by one of a number of Xicato 9mm XTM LED modules, all of which are distinguished by extraordinary color consistency (within 1x2-step MacAdam ellipse). See tables on the reverse for wattages and efficacies.

## PRODUCT CODE

For complete product code, list basic unit and select one item from each following box.

|  |                                    |
|--|------------------------------------|
| Basic Unit .....   | A3-XIS-OH                          |
| <b>Track Configuration</b>   |                                    |
| 120-volt track (e.g. SightLine) .....  | - 2C                               |
| 277-volt track (e.g. HighLine) .....   | no switch; not dimmable ..... - HC |
| <b>Finish</b>  |                                    |
| white: white paint, white lead cord, matte aluminum heat sink .....            | - WH                               |
| black: black paint, black lead cord, black heat sink .....                     | - BL                               |
| Industrial Silver: silver paint, black lead cord, black heat sink .....        | - SI                               |
| custom color: include physical chip with order and select one from below       |                                    |
| • white lead cord, matte aluminum heat sink .....                              | - CCW                              |
| • black lead cord, black heat sink .....                                       | - CCB                              |
| • any other combinations require a special order                               |                                    |
| <b>Beam Spread Reflector (specify one to ship with fixture)</b>                |                                    |
| 10° narrow spot .....  | - 10D                              |
| 24° spot .....   | - 24D                              |
| <b>Light Source Output (Lumens)</b>  |                                    |
| 1300 lumens / CRI 98 Artist .....  | - L13A                             |
| 1300 lumens / CRI 80+ standard .....   | - L13S                             |
| 1300 lumens / CRI 80+ Vibrant .....  | 3000K only ..... - L13V            |
| <b>Light Color</b>   |                                    |
| 2700 K .....   | - 27K                              |
| 3000 K .....   | - 30K                              |
| 3500 K .....   | - 35K                              |
| 4000 K .....   | - 40K                              |
| <b>Circuit Limitations</b>   |                                    |
| Luminaire operates only on track circuits with <u>no</u> dimmer on the circuit |                                    |

► For luminaires modified for 50A or 60A track systems, contact factory.

## EXTRA REFLECTORS *Specify as separate line items.*

|                                 |              |
|---------------------------------|--------------|
| 10° narrow spot reflector ..... | XTS-REF10-72 |
| 24° spot reflector .....        | XTS-REF24-70 |

## OPTICAL ACCESSORIES ▼ *See next page*

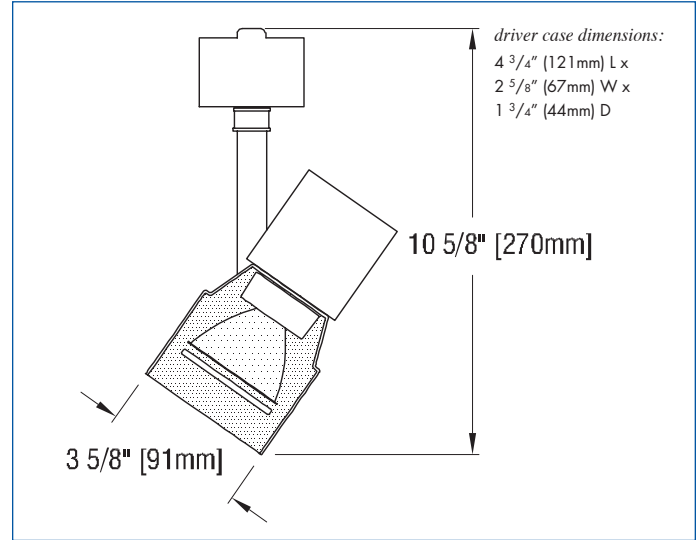


## OPTICAL ACCESSORIES

Specify as separate line items.

All are 2 3/4" (70mm) dia. Lenses and filters are glass; screens are aluminum.

|  |                |
|--|----------------|
| <b>diffuse glass</b> .....                       | DGS/2.75       |
| <b>prismatic lens</b> (Solite) .....             | PLS/2.75       |
| <b>55° spread lens</b> .....                     | LENS/2.75      |
| <b>40° x 70° spread lens</b> .....               | LENS/2.75-4070 |
| <b>beam smoother</b> included with fixture ..... | CLR/2.75       |
| <b>color filters</b>                             |                |
| Daylight Blue .....                              | DAY/2.75       |
| Surprise Pink .....                              | PNK/2.75       |
| amber .....                                      | AMB/2.75       |
| blue .....                                       | BLU/2.75       |
| green .....                                      | GRN/2.75       |
| red .....  | RED/2.75       |
| <b>33% light reduction screen</b> .....          | SCR33/2.75     |
| <b>50% light reduction screen</b> .....          | SCR50/2.75     |



## APPLICATIONS

Luminaire is listed for mounting on Edison Price Lighting 120-volt or 277-volt track.

**Fixture Spacing Requirements** The track adapter of this fixture is 6 3/8" long. For this reason 1) it cannot be track-mounted closer than 6 5/8" on center and 2) it cannot be used with 2 of our 7 **Unicep** single-fixture track units.

– see below for photometric reports –



## PHOTOMETRIC REPORT with 10° reflector (tested per IESNA LM-79-2008)

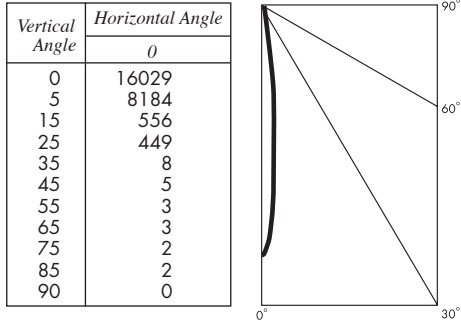
Prorated from Verification Services Report No. 1222995. Original test report furnished upon request.

Luminaire ..... track-mounted LED accent light with a 10° reflector and black lens holder (NO LENS)

Lamp ..... Xicato 9mm XIM LED Module, 1300 lumens, 3000K, 80 CRI

Lamp Life ..... rated 50.000 hours based on L70/B50 criteria. LM80 report by LED manufacturer furnished upon request

### CANDLEPOWER DISTRIBUTION (Candela)



### LUMINAIRE LIGHT OUTPUT AND EFFICACY

| LED Module Type                | Luminaire Light Output | Luminaire CBCP | Luminaire Efficacy (lms/watt) | System Wattage |
|--------------------------------|------------------------|----------------|-------------------------------|----------------|
| 1300 Lumens Artist             | 924*                   | 16,029*        | 29*                           | 32             |
| 1300 Lumens standard & Vibrant | 924*                   | 16,029*        | 48*                           | 19             |

\*estimated values

## PHOTOMETRIC REPORT with 24° reflector (tested per IESNA LM-79-2008)

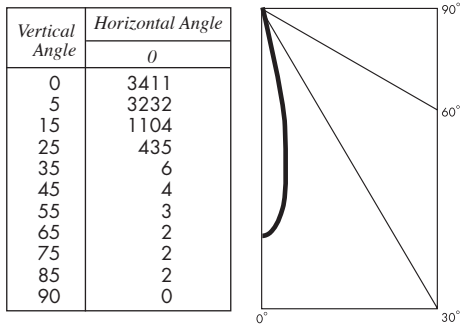
Prorated from Verification Services Report No. 1222996. Original test report furnished upon request.

Luminaire ..... track-mounted LED accent light with a 24° reflector and black lens holder (NO LENS)

Lamp ..... Xicato 9mm XIM LED Module, 1300 lumens, 3000K, 80 CRI

Lamp Life ..... rated 50.000 hours based on L70/B50 criteria. LM80 report by LED manufacturer furnished upon request

### CANDLEPOWER DISTRIBUTION (Candela)



### LUMINAIRE LIGHT OUTPUT AND EFFICACY

| LED Module Type                | Luminaire Light Output | Luminaire CBCP | Luminaire Efficacy (lms/watt) | System Wattage |
|--------------------------------|------------------------|----------------|-------------------------------|----------------|
| 1300 Lumens Artist             | 825*                   | 3411*          | 26*                           | 32             |
| 1300 Lumens standard & Vibrant | 825*                   | 3411*          | 43*                           | 19             |

\*estimated values

## STANDARD DRIVER INFORMATION (UL Class 2, dry and damp location)

|                                 |            |            |
|---------------------------------|------------|------------|
| Voltage                         | 120        | 277        |
| Input Watts (L13A/L13S&V)       | 32/19      | 32/19      |
| Input Current(A) (L13A/L13S&V)  | .26/.16    | .11/.07    |
| Min. Power Factor               | .99        | .99        |
| Operating Temperature Range (F) | -13 to 122 | -13 to 122 |

## LIGHT OUTPUT MULTIPLIER

| LED Module Type                | Light Output Multiplier |
|--------------------------------|-------------------------|
| 1300 Lumens Artist             | 1                       |
| 1300 Lumens standard & Vibrant | 1                       |

\*estimated values