

MAXIMA® 30 O

track mounted accent light



- The optical assembly for Maxima 30 O is a matte black cross-baffle which reduces spill light and controls lamp brightness. This assembly is fixed in place for precise aiming and easily removed as a unit for relamping.
- A concealed swivel provides 385° horizontal rotation and vertical adjustment from 0° to 90°. The swivel is permanently tensioned, allowing Maxima fixtures to remain fixed at any aiming angle.
- Maxima 30 O fixtures accept one or two of a number of [Optical Accessories](#) including spread lenses, a beam smoother, a UV filter and color filters. We especially recommend the addition of one of our spread lenses when using the Maxima 30 O for critical display functions.
- Maxima fixtures have seamless aluminum housings for lightweight durability and cast aluminum tops for heat dissipation. Because their track adapters are entirely concealed within the track, Maxima fixtures have an exceptionally clean appearance. Standard finish is matte white; also available in black and Industrial Silver matte paint finishes.
- For more information, [click here](#).

For the outlet box mounted version of this fixture, see **Maxima 30 O-OBM**.

Maxima 30 O is an accent light designed for use with PAR-30 (short neck) spot or flood lamps (75-watt maximum). Fixture may be mounted on and powered by any of eighteen 20-amp 120-volt Edison Price Lighting [track systems](#).

PRODUCT CODE

Complete Product Code..... MAX 30 O

OPTIONS

Specify by adding to the product code.

- a rocker type **on/off switch** on fixture top – SW
white switch for white fixture, black for Silver or black fixture, specify which for custom color fixture
- equipped for **outlet box mounting** with a 4 1/2" (114mm) dia matte white box cover; mounts directly to a standard 4" (102mm) octagonal outlet box – OBM
- matte black** housing finish – BLK
- Industrial Silver** housing finish – SIL
- custom color** paint housing finish
identify color in specification CCH

OPTICAL ACCESSORIES

Specify as separate line items.

All are 3 3/4" (95mm) dia. Lenses and filters are glass; screens are aluminum.

- 55° spread lens** LENS/3.75
- 40° x 70° spread lens** LENS/3.75-4070
- prismatic lens (Solite)** PLS/3.75
- beam smoother** CLR/3.75
- UV filter** UVF/3.75
- color filters**
- Daylight Blue DAY/3.75
- Surprise Pink PNK/3.75
- amber AMB/3.75
- blue BLU/3.75
- green GRN/3.75
- red RED/3.75
- 33% light reduction screen** SCR33/3.75
- 50% light reduction screen** SCR50/3.75

► For fixtures configured for 50A track or 60A busway systems, contact factory.



41-50 22ND STREET, LIC NY 11101 TEL 718.685.0700 FAX 718.786.8530 www.epl.com

©Copyright, Edison Price Lighting 2016

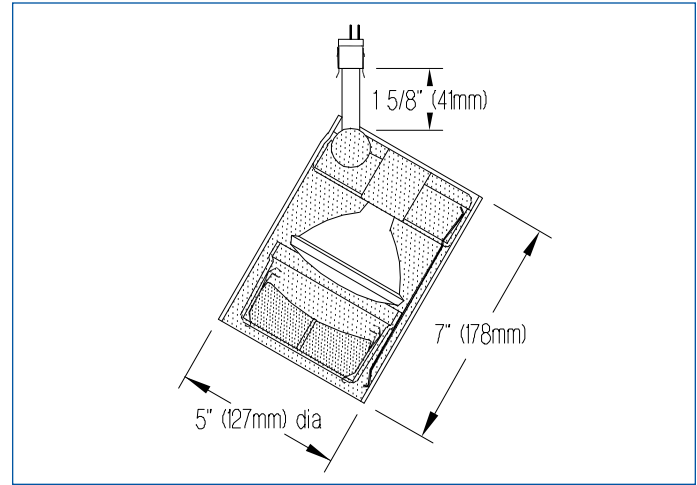
TF 11-430 10:16

®Maxima, SightLine, DoubleLine, Upline, AutoTrak and AutoBus are registered trademarks of Edison Price Lighting.

APPLICATIONS

Fixture is suitable for highlighting vertical or horizontal surfaces, as well as objects in museums, galleries, showrooms, residences, offices and stores.

Fixture is cULus listed for mounting on Edison Price Lighting 120-volt track only.



PHOTOMETRIC REPORT – SPOT

Report No. 41963. Original Independent Testing Laboratories, Inc. (ITL) test report furnished upon request.

Luminaire track mounted adjustable accent light; black cross-baffle; aimed at 30° above vertical

Lamp 75-watt PAR30S NSP, 1100 lumens

Efficiency 67.3%

PHOTOMETRIC REPORT – FLOOD

Report No. 41962 Original Independent Testing Laboratories, Inc. (ITL) test report furnished upon request.

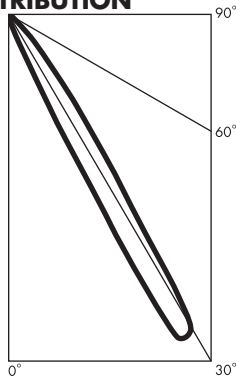
Luminaire track mounted adjustable accent light with 55° spread lens; black cross-baffle; aimed at 30° above vertical

Lamp 75-watt PAR-30S FL, 1100 lumens

Efficiency 36.0%

CANDLEPOWER DISTRIBUTION

Vertical Angle	Candela
0	38
5	56
10	169
15	507
20	1748
25	6287
30	12123
35	4680
40	1720
45	451
50	169
55	56
60	28
65	28
70	0
75	0
80	0
85	0
90	0



CANDLEPOWER DISTRIBUTION

Vertical Angle	Candela
0	40
5	103
10	249
15	529
20	846
25	1100
30	1196
35	1034
40	755
45	405
50	171
55	76
60	33
65	15
70	8
75	5
80	3
85	1
90	0

