

MAXIMA® 30 W

track mounted wallwasher



- The optical assembly for the Maxima 30 W consists of an internal specular reflector and a 40° x 70° glass spread lens. This assembly is fixed in place for precise aiming and easily removed as a unit for relamping.
- A concealed swivel provides 385° horizontal rotation and vertical adjustment from 0° to 90°. The swivel is permanently tensioned, allowing Maxima fixtures to remain fixed at any aiming angle.
- Maxima 30 W fixtures accept one or two of a number of [Optical Accessories](#), including a UV filter and color filters.
- Maxima fixtures have seamless aluminum housings for lightweight durability and cast aluminum tops for heat dissipation. Because their track adapters are entirely concealed within the track, Maxima fixtures have an exceptionally clean appearance. Standard finish is matte white; also available in black and Industrial Silver matte paint finishes.
- For more information, [click here](#).

For the outlet box mounted version of this fixture, see **Maxima 30 W-OBM**.

Maxima 30 W is an adjustable wallwasher designed for use with PAR-30 flood lamps (75-watt maximum). Fixture may be mounted on and powered by any of eighteen 20-amp 120-volt Edison Price Lighting [track systems](#).

PRODUCT CODE

Complete Product Code.....MAX 30 W

OPTIONS

Specify by adding to the product code.

a rocker type **on/off switch** on fixture top – SW
white switch for white fixture, black for Silver or black fixture,
specify which for custom color fixture

equipped for **outlet box mounting** with a
4 1/2" (114mm) dia matte white box cover;
mounts directly to a standard 4" (102mm)
octagonal outlet box – OBM

matte black housing finish – BLK

Industrial Silver housing finish – SIL

custom color paint housing finish
identify color in specification CCH

OPTICAL ACCESSORIES

Specify as separate line items.

All are 3 3/4" (95mm) dia. Lenses and filters are glass; screens are aluminum.

40° x 70° spread lens (included with fixture) LENS/3.75-4070

UV filter UVF/3.75

color filters

Daylight Blue DAY/3.75

Surprise Pink PNK/3.75

amber AMB/3.75

blue BLU/3.75

green GRN/3.75

red RED/3.75

33% light reduction screen SCR33/3.75

50% light reduction screen SCR50/3.75

► For fixtures configured for 50A track or 60A busway systems, contact factory.



41-50 22ND STREET, LIC NY 11101 TEL 718.685.0700 FAX 718.786.8530 www.epl.com

©Copyright, Edison Price Lighting 2016

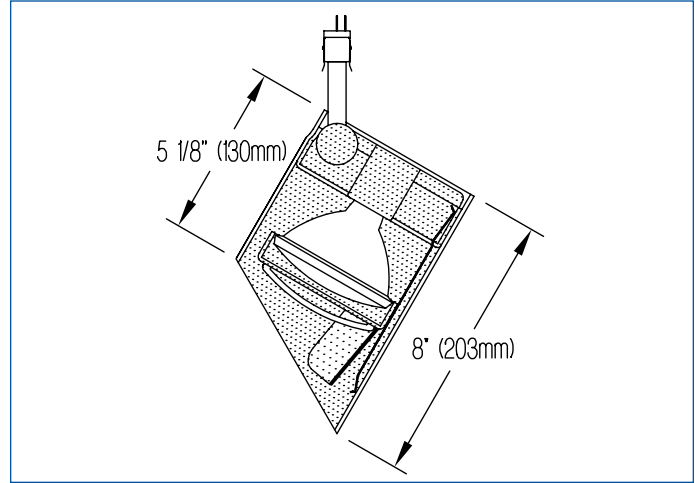
TF 11-431 10:16

®Maxima, SightLine, DoubleLine, Upline, AutoTrak and AutoBus are registered trademarks of Edison Price Lighting.

APPLICATIONS

Fixture is suitable for wallwashing vertical surfaces in museums, galleries, showrooms, residences, offices and stores.

Fixture is listed for mounting on Edison Price Lighting 120-volt track only.



PHOTOMETRIC REPORT

Report No. 53388. Original Independent Testing Laboratories, Inc. (ITL) test report furnished upon request.

Luminairetrack mounted adjustable wallwasher; 40° x 70° spread lens with specular reflector
 Lamp75-watt PAR30S FL40, 965 lumens

WALLWASH INFORMATION

Distance From Ceiling (Feet)	2'6" From Wall; 2'6" O.C.		3' From Wall; 3' O.C.		4' From Wall; 4' O.C.	
	Below Fixture	Between Fixtures	Below Fixture	Between Fixtures	Below Fixture	Between Fixtures
1	18	12	11	8	7	5
2	39	30	24	18	13	9
3	47	42	31	26	18	14
4	44	41	33	31	21	18
5	31	31	28	27	21	19
6	22	22	21	21	19	17
7	15	15	16	16	15	14
8	10	10	11	12	11	11
9			9	9	9	9
10					7	7

This table lists initial illuminance values at the center of a row of at least 5 fixtures with no contribution from ceiling or floor reflectances. Fixtures were modeled with maximum candlepower at 25° above vertical.

CANDLEPOWER DISTRIBUTION

