

# ARTIMA® 38 W

track mounted wallwasher



## FEATURES

Artima 38 W is a wallwasher designed for use with PAR-38 flood lamps (250-watt maximum). Fixture may be mounted on and powered by any of eighteen 20-amp 120-volt Edison Price Lighting track systems.

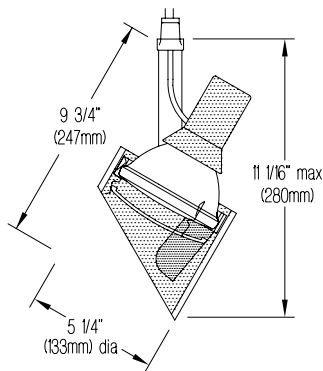
The optical assembly for Artima 38 W consists of an internal specular reflector and a 40° x 70° spread lens. This assembly, and its setting, is entirely undisturbed by relamping.

A flared socket cap prevents any back-splash of light onto the ceiling.

Artima 38 fixtures provide 385° horizontal rotation and vertical adjustment from 0° to 90°. Lamp focus can be locked by tightening two collar clamps using a 1/64" hex key.

Artima 38 W fixtures accept one or two of a number of Optical Accessories including a UV filter, color filters and light reduction screens.

Because their track adapters are entirely concealed within the track, Artima fixtures have an exceptionally clean appearance. Standard finish is matte white with a white socket lead; also available in black and Industrial Silver matte paint finishes.



## APPLICATIONS



Fixture is suitable for wallwashing vertical surfaces in museums, galleries, showrooms, residences, offices and stores.

Fixture is cUL<sup>us</sup> listed for mounting on Edison Price Lighting 120-volt track only.

For the outlet box mounted version of this fixture, see **Artima 38 W-OBM**.

## PRODUCT CODE

Complete Product Code..... ART 38 W  
standard finish: matte white with white socket lead

## OPTIONS

Specify by adding to the product code.

rocker type **on/off switch** in track adapter, 100 watt maximum .... – SW  
(3 3/4" long adapter lengthened to 7 1/2" to accommodate switch)

equipped for **outlet box mounting** with a 4 1/2" (114mm) dia matte white box cover; mounts directly to a standard 4" (102mm) octagonal outlet box ..... – OBM

**matte black** housing finish  
black socket lead standard; for on/off switch, consult factory ..... – BLK

**Industrial Silver** housing finish  
black socket lead standard; for on/off switch, consult factory ..... – SIL

**custom color** paint housing finish  
specify white or black socket lead ..... – WSLV or – BSLV  
and identify color in specification ..... CCH

## OPTICAL ACCESSORIES

Specify as separate line items; only for use with one of the above.  
All are 4 3/4" (121mm) diameter. Lenses and filters are glass; screens are aluminum.

<b>40° x 70° spread lens</b> (included with fixture) .....	LENS/4.75-4070
<b>UV filter</b> .....	UVF/4.75
<b>color filters</b>	
Daylight Blue .....	DAY/4.75
Surprise Pink .....	PNK/4.75
amber .....	AMB/4.75
blue .....	BLU/4.75
green .....	GRN/4.75
red .....	RED/4.75
<b>33% light reduction screen</b> .....	SCR33/4.75
<b>50% light reduction screen</b> .....	SCR50/4.75

► For fixtures configured for 50A track or 60A busway systems, contact factory.



## PHOTOMETRIC REPORT

Report No. 46845. Original Independent Testing Laboratories, Inc. (ITI) test report furnished upon request.  
 Luminaire .....track mounted adjustable wallwasher; 40° x 70° spread lens with specular reflector  
 Lamp ..... 100-watt PAR-38 HIR FL, 2070 lumens

## WALLWASH INFORMATION

Distance From Ceiling (Feet)	3' From Wall; 3' O.C.		3'6" From Wall; 3'6" O.C.		4' From Wall; 4' O.C.	
	Below Fixture	Between Fixtures	Below Fixture	Between Fixtures	Below Fixture	Between Fixtures
1	43	35	32	26	25	20
2	57	44	42	33	33	26
3	63	52	49	38	40	29
4	62	57	52	45	44	36
5	51	50	46	43	41	37
6	40	41	37	37	35	33
7	31	32	30	30	29	28
8	24	25	23	24	23	23
9	19	19	19	19	18	19
10	15	15	15	15	15	15
11	12	12	12	12	12	12
12	10	10	10	10	10	10

*This table lists initial illuminance values at the center of a row of at least 5 fixtures with no contribution from ceiling or floor reflectances. Fixtures were modeled with maximum candlepower at 21°-25° above vertical.*

## CANDLEPOWER DISTRIBUTION

