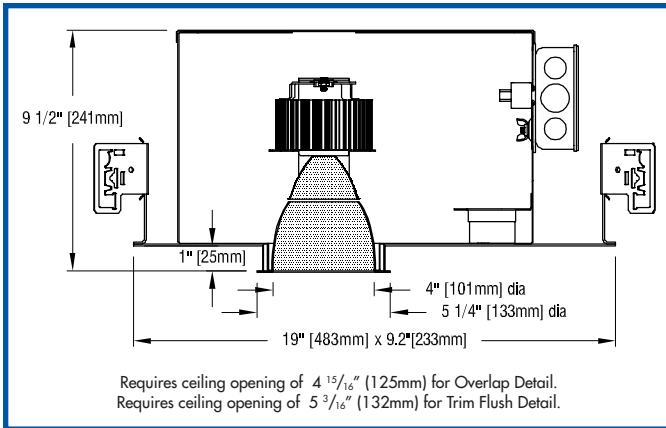


# EPIC FOUR HI XTM DL

recessed IC LED downlight



FULLY SUSTAINABLE – FULLY SUSTAINABLE – FULLY SUSTAINABLE – FULLY SUSTAINABLE – FULLY SUSTAINABLE – FULLY SUSTAINABLE – FULLY SUSTAINABLE



## FEATURES

- **EPIC FOUR HI XTM DL is a 4" aperture LED downlight** designed for insulation contact (IC) and certified airtight under ASTM E283. Luminaire employs an internal 'twist and lock' reflector to produce an initial beamspread of 20°, 40° or 60°. To allow beamspread to be changed in installed luminaires, internal reflectors are available as accessories.
- **Luminaire is powered by one of a number of Xicato 19 mm XTM LED modules**, all of which are distinguished by extraordinary color consistency (within 1 x2-step MacAdam ellipse). See tables on pages below for wattages and efficacies.
- **Luminaire may be ordered with one of a number of drivers.**
- **Precise external reflector design minimizes aperture brightness and provides a shielding angle of 40°.**
- **An optional integral holder (DG) permits the use of one or two of a number of [Optical Accessories](#)** including lenses and color filters. A complimentary prismatic lens is included with this option.
- **External reflectors are available in three natural aluminum finishes** – semi-specular, slightly diffuse (V) or fully diffuse (EC) – as well as champagne gold, black Alzak® or white. Other reflector finishes are available on special order.
- **LightCharms® or LightPlate™ decorative trims may be ordered instead of standard reflectors.**
- **EPIC FOUR HI XTM DL includes a pair of residential mounting bars** extendable to 20" and designed for use in wood joists.
- **For more information, [click here](#).**

## APPLICATIONS

Luminaire is recommended for downlighting in commercial, retail and residential spaces where insulation is specified or likely to be retrofit into the ceiling plenum.

Luminaire is listed for direct contact with insulation, certified airtight under ASTM E283, and suitable for damp location. Luminaire is prewired, suitable for use in a fire rated ceiling, and approved for eight #12 wire 75° C branch circuit pull-through wiring. Luminaire is RoHS and Title 24 compliant. Removal of the reflector allows access to the driver and junction box.



## PRODUCT CODE

For complete product code, list basic unit and select one item from each following box.

Basic Unit .....	EPIC-XTM-4DL
Internal Reflector	
20° initial beamspread.....	20D
40° initial beamspread.....	40D
60° initial beamspread.....	60D
Light Source Output (Lumens)	
700 lumens/CRI 98 Artist.. <i>D3D-LU driver not available</i> .....	- L07A
1000 lumens/CRI 98 Artist.. <i>D3D-LU driver not available</i> .. DMP (10%)..	- L10A
1000 lumens/CRI 80+ .....	DMP (10%).. - L10S
1000 lumens/CRI 80+ Vibrant..... <i>3000K only</i> .....	DMP (10%).. - L10V
1200 lumens/CRI 98 Artist.....	DMP (5%) .. - L12A
1200 lumens/CRI 90 Designer .....	DMP (5%) .. - L12H
1300 lumens/CRI 80+ .....	DMP (10%).. - L13S
1300 lumens/CRI 80+ Vibrant..... <i>3000K only</i> .....	DMP (10%).. - L13V
1600 lumens/CRI 80+ .....	DMP (5%) .. - L16S
1600 lumens/CRI 80+ Vibrant .... <i>3000K only</i> .....	DMP (5%) .. - L16V

Light Color	
2700K.....	- 27K
3000K.....	- 30K
3500K.....	- 35K
4000K.....	- 40K

Driver	
dimmable to 1% by a 0-10V dimmer on 120 or 277-volt service .....	- DMV
dimmable to 5% or 10% (see Light Source Output box above) by either an incandescent or ELV dimmer; 120-volt service only .....	- DMP
Lutron L3D Hi-Lume driver dimmable to 1% by a Lutron 3-wire fluorescent dimmer or EcoSystem Bus Control, on 120-volt or 277-volt service; not available with 700L Artist (L07A) or 1000L Artist (L10A) sources .....	- D3D-LU
eldoLED 0-10V (Logarithmic) driver dimmable to 0.1% with a 0-10V dimmer on 120 or 277-volt service .....	- DVOELG
eldoLED 0-10V (Linear) driver dimmable to 0.1% with a 0-10V dimmer on 120 or 277-volt service .....	- DVOELN
eldoLED driver dimmable to 0.1%, compatible with Dali control system .....	- DAO-EL

Reflector Color and Detail	Overlap Flange	Trim Flush*
Semi-specular Clear.....	COL.....	CTF
Slightly diffuse Clear.....	VOL.....	VTF
Fully diffuse Clear.....	ECOL.....	ECTF
Champagne Gold .....	GOL.....	GTF
Black .....	BOL.....	BTF
White .....	WOL.....	WTF
Other reflector finishes available on special order.		
Overlap Flange continues reflector finish. White painted flanges and custom painted flanges are available on special order. Add WF (white flange) or CCF (custom color flange).		
*Trim Flush reflector trim requires the use of a <a href="#">plaster ring Accessory</a> (see below).		
<i>LightCharms or LightPlate may be ordered instead of the standard reflectors above.</i>		
LightCharm <b>Silver Point</b> .....	LC-SP	
LightCharm <b>Opal</b> .....	LC-O	
LightCharm <b>Crystal</b> .....	LC-C	
LightPlate <b>Downlight Spot</b> , white .....	DP-OL.....	DP-TF
Custom painted trims for LightPlate are available on special order. Add -CC		

## OPTION Specify by adding to product code.

<b>Holder for one or two Optical Accessories</b> (see over) .....	- DG
---	------

## ACCESSORIES Specify as a separate line item.

<b>Plaster ring</b> allows use of 4 7/8" OD Trim Flush (-TF) reflector in sheetrock ceiling; 5 3/16" dia hole required.....	TF RING/4
---	-----------



## OPTICAL ACCESSORIES *Specify as separate line*

All are 3 3/4" (95mm) diameter.

Lenses and filters are glass; screens are aluminum.

prismatic lens (Solite) ..... (included with - DG option) .....	PLS/3.75
55° spread lens .....	LENS/3.75
40° x 70° spread lens .....	LENS/3.75-4070
beam smoother .....	CLR/3.75
33% light reduction screen .....	SCR33/3.75
50% light reduction screen .....	SCR50/3.75

### color filters

surprise pink .....	PNK/3.75
daylight blue.....	DAY/3.75
amber .....	AMB/3.75
blue .....	BLU/3.75
green .....	GRN/3.75
red .....	RED/3.75



## PHOTOMETRIC REPORT (tested per IESNA LM-79-2008)

Prorated from **(LTL)** Report No. 226175. Original Luminaire Testing Laboratories, Inc. (LTL) test reports furnished upon request.

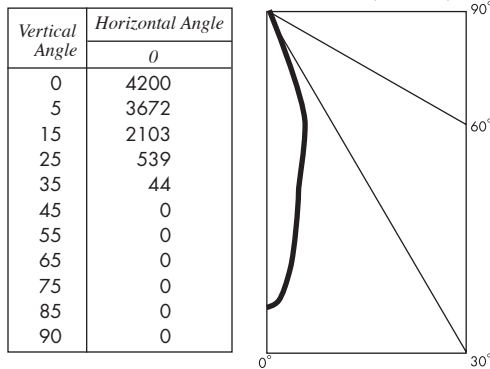
Luminaire ..... recessed LED round downlight with semi-specular clear aluminum reflector (NO LENS)

Lamp ..... Xicato XTM 19mm LED with 40° beam spread integral reflector, 3000K CCT, 1600 lumens

Lamp Life ..... rated 50,000 hours based on L70/B50 criteria. LM80 report by LED manufacturer furnished upon request

Spacing Criteria ..... 0.5 (0.7 for 60° reflector, 0.4 for 20° reflector)

## CANDLEPOWER DISTRIBUTION (Candela)



## STANDARD DMV DRIVER INFORMATION *UL Class 2, dry and damp location*

Voltage	120	277
Input Watts (L10A/L13S&V/L16S&V lumens)	17/17/19	17/17/19
Input Current (A) (L10A/L13S&V/L16S&V lumens)	.14/.14/.16	.06/.06/.07
Output Current (mA)	500-800	500-800
Min. Power Factor	>0.9	>0.9
Operating Temperature Range (F)	-4 to 122	-4 to 122

## LIGHT OUTPUT MULTIPLIER

LED Light Engine	Light Output Multiplier
1000 Lumens Artist	.61*
1300 Lumens standard & Vibrant	.82*
1600 Lumens standard & Vibrant	1

\*estimated values

## LUMINANCE DATA

Vertical Angle	Candelaim <sup>2</sup>
45	0
55	0
65	0
75	0
85	0

## ZONAL LUMEN SUMMARY

Zone	Lumens	% Fixture
0 - 30°	1171	96.1
0 - 40°	1218	99.9
0 - 60°	1219	100.0
0 - 90°	1219	100.0
90 -180°	0	0.0
0 -180°	1219	100.0

## REFLECTOR COLOR MULTIPLIERS

Semi-specular clear (C)	1
Slightly diffuse clear (V)	.95
Fully diffuse clear (EC)	.88
Champagne gold clear (G)	.95
Black (B)	.49

## LUMINAIRE LIGHT OUTPUT AND EFFICACY

(40° beam spread integral reflector)

LED Light Engine	Luminaire Light Output	Luminaire Efficacy (lms/watt)	System Wattage
1000 Lumens Artist	735*	42*	17
1300 Lumens standard & Vibrant	994*	59*	17
1600 Lumens standard & Vibrant	1219	64	19

\*estimated values