

EPIC WET LOCATION LED FTF/4

recessed IC LED outdoor downlight



WET LOCATION - OUTDOOR APPLICATION - WET LOCATION - OUTDOOR APPLICATION - WET LOCATION - OUTDOOR APPLICATION - WET LOCATION

FEATURES

- **EPIC Wet Location LED FTF/4 is a 4" aperture, outdoor, LED downlight** designed for insulation contact (IC) and certified airtight under ASTM E283. Reflector design minimizes aperture brightness with a shielding angle of 40°. Recess depth is only 9 1/2".
- **Luminaire is powered by one of a number of Philips Fortimo DLM Flex LED modules with a CRI of 90.** Luminaire may be specified with 2700K, 3000K, 3500K or 4000K color. See tables on the reverse for system wattages and luminaire efficacies.
- **Other features include:**
 - life: 35,000 hours at 70% of initial light output (IESNA LM80-2008)
 - operational range: tolerates temperatures as low as -20° C (-4°F)
- **Reflector mounts a 5/32" thick prismatic glass lens which protects the fixture from a direct spray of water.** Reflector assembly is attached to the luminaire housing with positive torsion springs that pull the reflector flange tight to the ceiling.
- **Reflector is available in two clear natural aluminum finishes** — semi-specular (C) or slightly diffuse (V) — as well as champagne gold and black Alzak®. Other reflector finishes are available on special order.
- **EPIC Wet Location LED FTF/4 includes a pair of residential bars extendable to 20" and designed for use in wood joists.**
- **For more information, [click here.](#)**

APPLICATIONS

Luminaire is listed for direct contact with insulation as well as Wet Location with a covered ceiling only. Luminaire is certified airtight under ASTM E283. Luminaire is prewired, suitable for use in a fire rated ceiling, and approved for eight #12 wire 75° C branch circuit pull-through wiring. Luminaire is Title 24 (2014) and RoHS compliant. Removal of the reflector allows access to the driver and junction box.



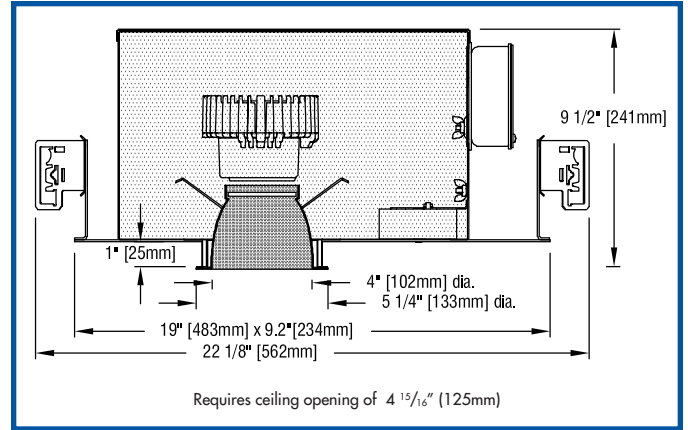
FULLY SUSTAINABLE

EPIC Wet Location LED FTF/4 is fully sustainable. Both critical components – the LED module (diode array) and the driver (power conditioner) – can be replaced through the aperture with a screwdriver. Both components are, and will remain, available from Edison Price Lighting.

MODIFICATIONS AVAILABLE

Contact factory with quantity for pricing; orders may require shop drawing approval.

- **+2"CLG:** luminaire suitable for installation in **2" thick ceiling** material; add +2"CLG to Product Code.
- **+MAR:** reflector suitable for **marine** environments; add +MAR to Product Code.



PRODUCT CODE

For complete product code, list basic unit and select one item from each following box.

Basic Unit EPIC-SHW-FTF-4DL

Light Source Output
 1100 lumens - L11
 1500 lumens - L15

Driver
 dimmable to 1% by a 0-10V dimmer on 120 or 277-volt service - DMV-AD
 dimmable to 1% by a Lutron EcoSystem Bus Control, on 120-volt or 277-volt service - ECO-LU
 dimmable to 1% by a Lutron 2-wire incandescent dimmer, on 120-volt service only - DMI-LU
 eldoLED 0-10V (Logarithmic) driver dimmable to 0.1% with a 0-10V dimmer on 120 or 277-volt service - DVOELG
 eldoLED 0-10V (Linear) driver dimmable to 0.1% with a 0-10V dimmer on 120 or 277-volt service - DVOELN

Light Engine Color
 2700K (CRI 90) - 27K
 3000K (CRI 90) - 30K
 3500K (CRI 90) - 35K

Voltage: standard luminaire operates on either 120 or 277 service

Reflector Color and Detail
 Semi specular Clear COL
 Slightly diffuse Clear VOL
 Champagne Gold GOL
 Black BOL
 Other reflector finishes available on special order.
 Overlap Flange continues reflector finish. White painted flanges and custom painted flanges are available on special order. Add WF (white flange) or CCF (custom color flange).



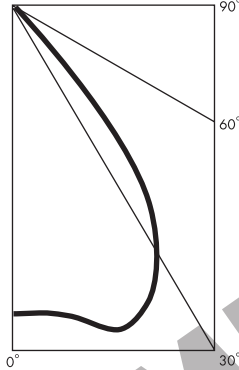
PHOTOMETRIC REPORT (tested per IESNA LM-79-2008)

prorated from (LTL) Report No. 21293. Original Luminaire Testing Laboratories, Inc. (LTL) test reports furnished upon request.

Luminaire recessed LED round downlight with aluminum reflector
 Lamp Philips LED Fortimo DLM 1100, 3000K CCT
 Lamp Life rated 50,000 hours based on L70/B50 criteria. LM80 report by LED manufacturer furnished upon request
 Spacing Criteria 1.3

CANDLEPOWER DISTRIBUTION (Candela)

Vertical Angle	Horizontal Angle
	0
0	683
5	681
15	735
25	713
35	503
45	91
55	2
65	1
75	0
85	0
90	0



DRIVER INFORMATION UL Class 2, dry and damp location

Voltage	120	277
Input Watts (1100/1500 lumens)	13/17	13/17
Input Current (A) (1100/1500 lumens)	.11/.14	.05/.06
Min. Power Factor	>0.95	>0.95
Operating Temperature Range (F)	-4 to 122	-4 to 122

COLOR MULTIPLIERS

Semi-specular Clear (C)	1
EvenTone (V)	.95
Champagne Gold (G)	.95
Black (B)	.49

LUMINANCE DATA

Vertical Angle	Candelam ²
45	15952
55	376
65	192
75	104
85	310

ZONAL LUMEN SUMMARY

Zone	Lumens	% Fixture
0 - 30°	599	60.6
0 - 40°	904	91.4
0 - 60°	988	99.9
0 - 90°	989	100.0
90 - 180°	0	0.0
0 - 180°	989	100.0

LIGHT OUTPUT MULTIPLIERS

LED Light Engine	Light Output Multiplier				EM 3000K
	2700K	3000K	3500K	4000K	
L11	0.96*	1	1.03*	-	0.51*
L15	1.29*	1.34*	1.38*	-	0.51*

*estimated values

LUMINAIRE LIGHT OUTPUT AND EFFICACY

LED Module Type	Luminaire Light Output	Luminaire Efficacy (lms/watt)	Luminaire Light Output	Luminaire Efficacy (lms/watt)	Luminaire Light Output	Luminaire Efficacy (lms/watt)	System Wattage	RX Light Output (90 min. run) 3000K
	2700K		3000K		3500K			
L11	949*	73*	989	76	1019*	78*	13	504*
L15	1276*	75*	1325*	78*	1365*	80*	17	504*

*estimated values