

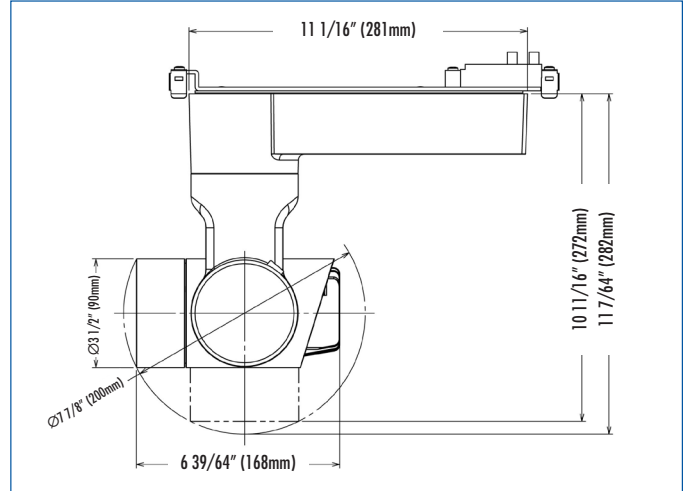


SALIOT

Lighting Innovation MS-V4 smart motorized track mounted LED accent light



SALIOT MS-V4 series is a mesh network enabled motorized LED track luminaire wirelessly controlled from as far as 60 feet by Bluetooth via a smart device with the SALIOT iOS or Android app.



Complete dimensions and clearance details provided below

FEATURES

- SALIOT MS-V4 LED's deliver undimmed luminaire light output ranging from 1007 to 1623 all rated for 40,000 hour life based on L70 criteria.
- SALIOT app controls the luminaire's motors and LED module to adjust the following features:
 - 355° horizontal rotation (pan),
 - 90° vertical adjustment (tilt),
 - on/off switching, and
 - dimming from 100% to 1.0%.
- Easy one handed adjustment of beamspread from 10° to 30°, by turning the face of the luminaire.
- As many as 100 SALIOT MS-V4s may be grouped and settings can be saved as scenes.
- SALIOT MS-V4 luminaires are manufactured by MinebeaMitsumi and equipped by Edison Price Lighting with track adapters permitting their use on 120-volt, 20-amp Edison Price Lighting track systems.

APPLICATIONS

Luminaire is certified for use on horizontally-mounted Edison Price Lighting 120-volt, 20 amp track. Not suitable for use on vertically-mounted track. Not suitable for use in a Unicep single-fixture track receptacle. Not suitable for use on electrical circuits including dimming controls of any kind.

Mounting on outlet-box, Eutrac, or Global track system also available. Contact Edison Price Lighting.

PRODUCT CODE

For complete product code, list basic unit and select one item from each following box.

Basic UnitSLT-4

LED Detail (CRI / CCT / luminaire output at 30° beam spread)	
95 CRI / 2700K / 1217 lumens	- 27KA
95 CRI / 3000K / 1268 lumens	- 30KA
95 CRI / 3500K / 1319 lumens	- 35KA
95 CRI / 4000K / 1357 lumens	- 40KA
95 CRI / 5000K / 1369 lumens	- 50KA
83 CRI / 2700K / 1395 lumens.....	- 27KS
83 CRI / 3000K / 1458 lumens.....	- 30KS
83 CRI / 3500K / 1534 lumens.....	- 35KS
83 CRI / 4000K / 1598 lumens.....	- 40KS
83 CRI / 5000K / 1623 lumens.....	- 50KS

Finish	
white	- WH
black	- BL

Dimming Notes:

- Luminaire is suitable for use only on an electrical circuit which does not include a dimming device of any kind.
- Luminaire may be dimmed only by Bluetooth via a smart device with the SALIOT iOS or Android App.

Warranty Details:
 Fixture covered by MinebeaMitsumi warranty; track adapter covered by Edison Price Lighting warranty.



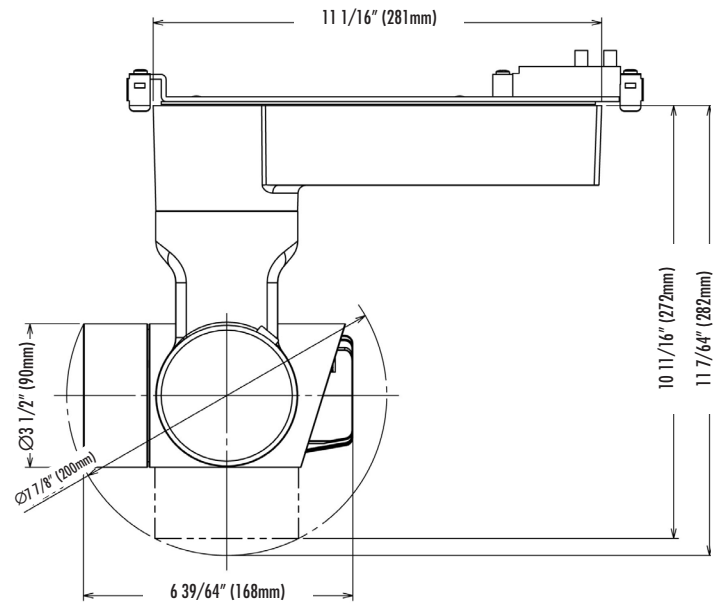
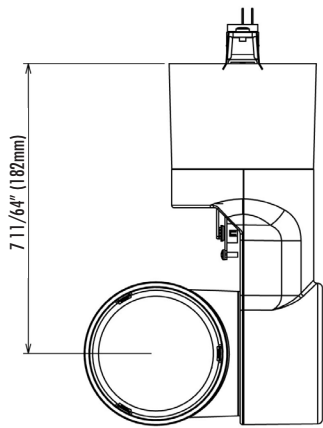
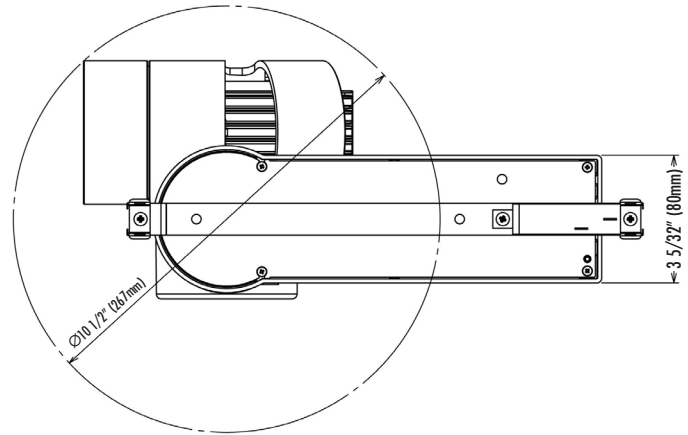


SALIOT

Lighting Innovation MS-V4 smart motorized track mounted LED accent light



Clearance



– see below for photometric reports –





SALIOT

Lighting Innovation

MS-V4 smart motorized track mounted LED accent light



PHOTOMETRIC REPORT (10° Beam Angle) (tested per IESNA LM-79-2008)

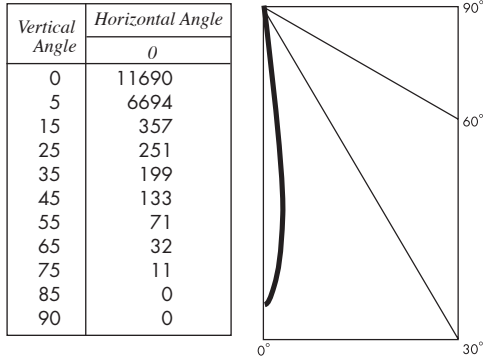
UL Verification Services Report No. 11519229.06

Luminaire mesh network enabled LED track luminaire

LED 95 CRI modules, 3000K

LED Life rated 40,000 hours based on L70/B50 criteria. LM80 report by LED manufacturer furnished upon request

CANDLEPOWER DISTRIBUTION (Candela)



LUMINAIRE LIGHT OUTPUT AND EFFICACY

LED Module Type	Luminaire Light Output	Luminaire CBCP	Luminaire Efficacy (lumens/watt)	System Wattage
95CRI/2700K	1007	11,222	44	24 (26)
95CRI/3000K	1049	11,690	46	24 (26)
95CRI/3500K	1091	12,158	48	24 (26)
95CRI/4000K	1112	12,391	48	24 (26)
95CRI/5000K	1122	12,508	49	24 (26)
83CRI/2700K	1154	12,859	50	24 (26)
83CRI/3000K	1206	13,444	53	24 (26)
83CRI/3500K	1269	14,145	55	24 (26)
83CRI/4000K	1332	14,846	58	24 (26)
83CRI/5000K	1343	14,963	58	24 (26)

LIGHT OUTPUT MULTIPLIERS (based on 95CRI/3000K LED)

LED Type	95CRI/2700K	95CRI/3000K	95CRI/3500K	95CRI/4000K	95CRI/5000K	83CRI/2700K	83CRI/3000K	83CRI/3500K	83CRI/4000K	83CRI/5000K
Multiplier	0.96	1	1.04	1.06	1.07	1.10	1.15	1.21	1.27	1.28

PHOTOMETRIC REPORT (30° Beam Angle) (tested per IESNA LM-79-2008)

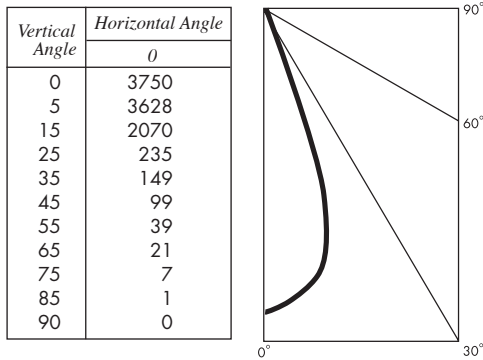
UL Verification Services Report No. 11519229.09

Luminaire mesh network enabled LED track luminaire

LED 95 CRI modules, 3000K

LED Life rated 40,000 hours based on L70/B50 criteria. LM80 report by LED manufacturer furnished upon request

CANDLEPOWER DISTRIBUTION (Candela)



LUMINAIRE LIGHT OUTPUT AND EFFICACY

LED Module Type	Luminaire Light Output	Luminaire CBCP	Luminaire Efficacy (lumens/watt)	System Wattage
95CRI/2700K	1217	3600	53	24 (26)
95CRI/3000K	1268	3750	55	24 (26)
95CRI/3500K	1319	3900	58	24 (26)
95CRI/4000K	1357	4013	59	24 (26)
95CRI/5000K	1369	4050	60	24 (26)
83CRI/2700K	1395	4125	61	24 (26)
83CRI/3000K	1458	4313	64	24 (26)
83CRI/3500K	1534	4538	67	24 (26)
83CRI/4000K	1598	4725	70	24 (26)
83CRI/5000K	1623	4800	71	24 (26)

LIGHT OUTPUT MULTIPLIERS (based on 95CRI/3000K LED)

LED Type	95CRI/2700K	95CRI/3000K	95CRI/3500K	95CRI/4000K	95CRI/5000K	83CRI/2700K	83CRI/3000K	83CRI/3500K	83CRI/4000K	83CRI/5000K
Multiplier	0.96	1	1.04	1.07	1.08	1.10	1.15	1.21	1.26	1.28