

Project

Date

Product Code

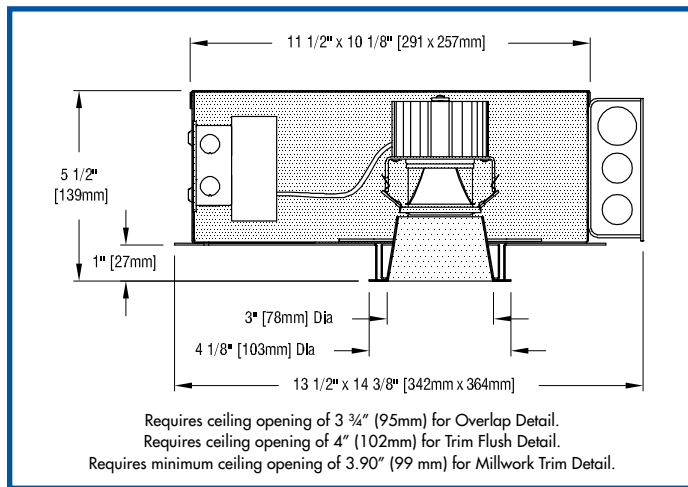
# THREE XTM DL

recessed LED downlight

FULLY SUSTAINABLE – FULLY SUSTAINABLE – FULLY SUSTAINABLE – FULLY SUSTAINABLE – FULLY SUSTAINABLE – FULLY SUSTAINABLE – FULLY SUSTAINABLE

Type

Designer



## FEATURES

- **THREE XTM DL is a 3" aperture LED downlight.** Luminaire is powered by one of a number of Xicato XTM (19mm) LED modules, all of which are distinguished by extraordinary color consistency (within 1x2-step MacAdam ellipse). See below for wattages and efficacies.
- **Luminaire employs an internal 'twist and lock' reflector** to produce an initial beamspread of either 36° or 54°. To allow beamspread to be changed in installed luminaires, internal reflectors are available as accessories.
- **Luminaire may be ordered with one of a number of drivers**, all of which operate on either 120-volt or 277-volt service.
- **External reflectors are available in three clear natural aluminum colors** – semi-specular (C), slightly diffuse (V) or fully diffuse (EC) – as well as black Alzak® and specular white enamel. Other finishes are available on special order.
- **An optional integral holder (DG) is available to permit use of one or two Optical Accessories** (spread lenses, color filters, screens, etc.). A complimentary prismatic lens is included with this option.
- **Housing is constructed from 20-gauge electro-zinc, polyester-coated steel** in Edison Price Lighting's American factory. Heavy-gauge metals and American manufacturing guarantee long-lasting durability.
- **THREE XTM DL includes a pair of mounting bars** (3/4" x 27" C channel). Specialty bars for wood and T-bar installations are also available.
- **For more information, [click here](#).**

## APPLICATIONS

Luminaire is listed as an inherently protected luminaire for Damp Location. Luminaire is RoHA compliant, is suitable for use in a fire rated ceiling and is approved for ten #12 wire 90° C branch circuit wiring. Removal of the external reflector allows access to the LED module and junction box.



### SPACING

Four models – L13A, L16H, L16S and L16V – must be spaced 30" apart and 15" from walls with 1/2" clearance above housing.

## PRODUCT CODE

For complete product code, list basic unit and select one item from each following box.

### Basic Unit

no lens holder ..... THR-XTM-DL  
with lens holder ..... THR-XTM-DG

### Internal Reflector Choose one.

36° initial beamspread ..... - 36D  
54° initial beamspread ..... - 54D

### Driver

dimmable to 1% by a 0-10V dimmer on 120 or 277-volt service ..... - DMV  
dimmable to 5% or 10% (see Light Output box below) by either an incandescent or ELV dimmer; 120-volt service only ..... - DMP  
dimmable to 1% by a 2-wire Lutron compatible dimmer ..... - DMI-LU  
dimmable to 1% SoftOn/FadeToBlack by a Lutron EcoSystem control; not available with L07A, L10H, L10S or L10V models ..... - ECO-LU  
eldoLED 0-10V (Logarithmic) driver dimmable to 0.1% with a 0-10V dimmer on 120 or 277-volt service ..... - DVOELG  
eldoLED 0-10V (Linear) driver dimmable to 0.1% with a 0-10V dimmer on 120 or 277-volt service ..... - DVOELN  
eldoLED driver dimmable to 0.1%, compatible with DALI control system ..... - DA0-EL  
Moons' driver dimmable to 0.1%, compatible with DMX controllers ..... - DX0

### Light Source Output (Lumens)

700L /98 CRI Artist	DMP (10%)	- L07A
1000L	DMP (5%)	- L10A
1300L	see SPACING	- L13A
1000L /90 CRI Designer	DMP (5%)	- L10H
1300L	DMP (5%)	- L13H
1600L	see SPACING	- L16H
1000L /80 CRI standard	DMP (10%)	- L10S
1300L	DMP (10%)	- L13S
1600L	see SPACING	- L16S
1000L /80 CRI Vibrant	3000K only DMP (10%)	- L10V
1300L	3000K only DMP (10%)	- L13V
1600L	see SPACING 3000K only DMP (5%)	- L16V

### Light Color

2700 K	- 27K
3000 K	- 30K
3500 K	- 35K
4000 K	- 40K

### External Reflector Color and Trim

	Overlap	Trim Flush*
Semi-specular Clear	COL	CTF
Slightly diffuse Clear	VOL	VTF
Fully diffuse Clear	ECOL	ECTF
Black	BOL	BTF
White	WOL	WTF

Standard reflector flange continues reflector finish. White painted flanges and custom painted flanges are available on special order. Add WF (white flange) or CCF (custom color flange).

\*Trim Flush reflector trim requires the use of a **plaster ring** Accessory (see below).

## OPTIONS Specify by adding to the basic unit.

**Millwork trim detail** consists of an aperture collar (see below) and a Trim Flush (TF) external reflector (see above). Note: a Plaster Ring is not required.

milled aluminum aperture collar ..... - M  
white aperture collar ..... - MWH  
black aperture collar ..... - MBL  
custom color aperture collar ..... - MCC

**Remote emergency battery pack** including two components – battery pack and plate with test switch and light – to be mounted adjacent to luminaire; for use in accessible ceilings ..... - RX

## EXTRA REFLECTORS Specify as separate line items.

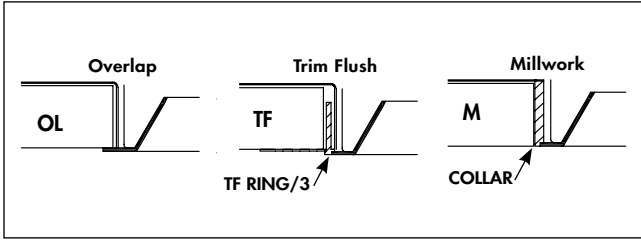
36° internal reflector ..... XTM-REF36-50  
54° internal reflector ..... XTM-REF54-50

## ACCESSORIES Specify as a separate line item.

**Plaster ring** allows use of 3 3/4" OD Trim Flush (-TF) reflector in sheetrock ceiling; 4" dia hole required ..... TF RING/3



## EXTERNAL REFLECTOR TRIMS



## OPTICAL ACCESSORIES *Specify as separate line*

*Specify as separate line items. For use only with the "Integral holder... - DG" Option listed above.  
All are 2 3/4" (70mm) diameter.*

<b>diffuse glass</b> .....	DGS/2.375
<b>prismatic lens (Solite)</b> .....	(included with - DG option)..... PLS/2.375
<b>55° spread lens</b> .....	LENS/2.375
<b>40° x 70° spread lens</b> .....	LENS/2.375-4070
<b>beam smoother</b> .....	DIF05/2.375
<b>33% light reduction screen</b> .....	SCR33/2.375
<b>50% light reduction screen</b> .....	SCR50/2.375

### color filters

surprise pink .....	PNK/2.375
daylight blue.....	DAY/2.375
amber .....	AMB/2.375
blue .....	BLU/2.375
green .....	GRN/2.375
red .....	RED/2.375

See below for photometric reports

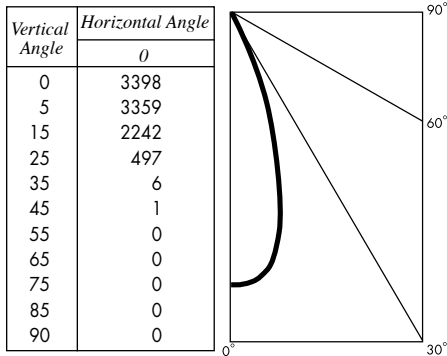


## PHOTOMETRIC REPORT with 36° reflector (tested per IESNA LM-79-2008)

**UL** Verification Services Report No. 1188770. Original test report furnished upon request.

Luminaire ..... recessed LED round downlight with semi-specular clear aluminum reflector  
 Light Source ..... one white Xicato XTM 19mm LES LED with 36° beam spread integral reflector, 3000K CCT, 80 CRI, 1600 lumens  
 Spacing Criteria ..... 0.6

### CANDLEPOWER DISTRIBUTION (Candela)



### LUMINANCE DATA

Vertical Angle	Candela/m <sup>2</sup>
45	389
55	52
65	0
75	0
85	0

### ZONAL LUMEN SUMMARY

Zone	Lumens	% Fixture
0 - 40°	1167	99.6
0 - 60°	1168	100.0
0 - 90°	1168	100.0
90 - 180°	0	0.0
0 - 180°	1168	100.0

### LUMINAIRE LIGHT OUTPUT AND EFFICACY

LED Light Engine	Luminaire Light Output	Luminaire Efficacy (lms/watt)	System Wattage	RX Light Output (90 min. run)
700 Lumens Artist	541*	77*	7	377*
1000 Lumens Artist	718*	65*	11	377*
1300 Lumens Artist	968*	61*	16	377*
1000 Lumens Designer	725*	73*	10	388*
1300 Lumens Designer	968*	74*	13	388*
1600 Lumens Designer	1168*	83*	14	433*
1000 Lumens Standard & Vibrant	725*	91*	8	388*
1300 Lumens Standard & Vibrant	968*	81*	12	388*
1600 Lumens Standard & Vibrant	1168	83	14	433*

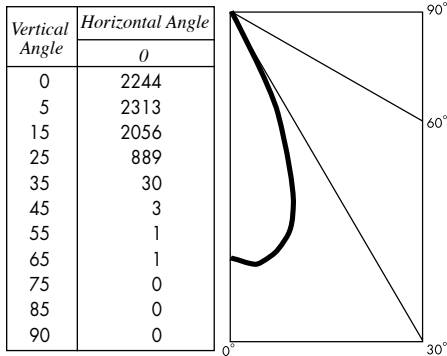
\*estimated values

## PHOTOMETRIC REPORT with 54° reflector (tested per IESNA LM-79-2008)

**UL** Verification Services Report No. 1188771. Original test report furnished upon request.

Luminaire ..... recessed LED round downlight with semi-specular clear aluminum reflector  
 Light Source ..... one white Xicato XTM 19mm LES LED with 54° beam spread integral reflector, 3000K CCT, 80 CRI, 1600 lumens  
 Spacing Criteria ..... 0.8

### CANDLEPOWER DISTRIBUTION (Candela)



### LUMINANCE DATA

Vertical Angle	Candela/m <sup>2</sup>
45	929
55	496
65	327
75	0
85	0

### ZONAL LUMEN SUMMARY

Zone	Lumens	% Fixture
0 - 40°	1230	99.7
0 - 60°	1233	99.9
0 - 90°	1234	100.0
90 - 180°	0	0.0
0 - 180°	1234	100.0

### LUMINAIRE LIGHT OUTPUT AND EFFICACY

LED Light Engine	Luminaire Light Output	Luminaire Efficacy (lms/watt)	System Wattage	RX Light Output (90 min. run)
700 Lumens Artist	572*	82*	7	398*
1000 Lumens Artist	759*	69*	11	398*
1300 Lumens Artist	1023*	64*	16	398*
1000 Lumens Designer	766*	77*	10	410*
1300 Lumens Designer	1023*	79*	13	410*
1600 Lumens Designer	1234*	88*	14	457*
1000 Lumens Standard & Vibrant	766*	96*	8	410*
1300 Lumens Standard & Vibrant	1023*	85*	12	410*
1600 Lumens Standard & Vibrant	1234	88	14	457

\*estimated values

## STANDARD DMV DRIVER INFORMATION (UL Class 2, dry and damp location)

Voltage	120	277
Input Watts (L07A/L10A/L13A/L10H/L13H/L16H/L10SV/L13SV/L16SV)	7/11/16/10/13/14/8/12/14	7/11/16/10/13/14/8/12/14
Input Current (A) (L07A/L10A/L13A/L10H/L13H/L16H/L10SV/L13SV/L16SV)	.06/.09/.13/.08/.11/.12/.07/10/12	.03/.04/.06/.04/.05/.05/.03/.04/.05
Output Current (mA)	350-700	350-700
Min. Power Factor	.99	.99
Operating Temperature Range (F)	-13 to 122	-13 to 122

## LIGHT OUTPUT MULTIPLIER

LED Light Engine	Light Output Multiplier	RX Light Output Multiplier
700 Lumens Artist	0.46*	0.32*
1000 Lumens Artist	0.61*	0.32*
1300 Lumens Artist	0.83*	0.32*
1000 Lumens Designer	0.62*	0.33*
1300 Lumens Designer	0.83*	0.33*
1600 Lumens Designer	1.00*	0.37*
1000 Lumens Standard & Vibrant	0.62*	0.33*
1300 Lumens Standard & Vibrant	0.83*	0.33*
1600 Lumens Standard & Vibrant	1.00	0.37*

\*estimated values

## REFLECTOR COLOR MULTIPLIERS

Semi-specular clear (C)	1
Slightly diffuse clear (V)	.95
Fully diffuse clear (EC)	.88
Champagne gold clear (G)	.95
Black (B)	.49