

Project

Date Product Code

# THREE XTM DL

recessed LED downlight

FULLY SUSTAINABLE – FULLY SUSTAINABLE – FULLY SUSTAINABLE – FULLY SUSTAINABLE – FULLY SUSTAINABLE – FULLY SUSTAINABLE – FULLY SUSTAINABLE

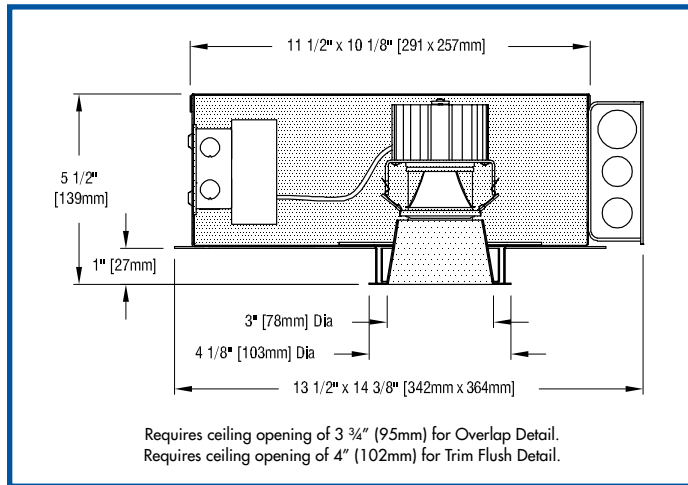


MADE IN USA

[Click Here](#)

Type

Designer



## FEATURES

- **THREE XTM DL is a 3" aperture LED downlight.** Luminaire is powered by one of a number of Xicato XTM (19mm) LED modules, all of which are distinguished by extraordinary color consistency (within 1x2-step MacAdam ellipse). See below for wattages and efficacies.
- **Luminaire employs an internal 'twist and lock' reflector** to produce an initial beamspread of either 36° or 54°. To allow beamspread to be changed in installed luminaires, internal reflectors are available as accessories.
- **Luminaire may be ordered with one of a number of drivers**, all of which operate on either 120-volt or 277-volt service.
- **External reflectors are available in three clear natural aluminum colors** – semi-specular (C), slightly diffuse (V) or fully diffuse (EC) – as well as black Alzak® and specular white enamel. Other finishes are available on special order. A LightPlate may be used instead of an external reflector.
- **An optional integral holder (DG) is available to permit use of one or two Optical Accessories** (spread lenses, color filters, screens, etc.). A complimentary prismatic lens is included with this option.
- **THREE XTM DL includes a pair of mounting bars** (3/4" x 27" C channel). Specialty bars for wood and T-bar installations are also available.
- **For more information, [click here](#).**

## APPLICATIONS

Luminaire is listed as an inherently protected luminaire for Damp Location. Luminaire is RoHA compliant, is suitable for use in a fire rated ceiling and is approved for ten #12 wire 90° C branch circuit wiring. Removal of the external reflector allows access to the LED module and junction box.



### SPACING

Two models – L16S and L16V – must be spaced 30" apart and 15" from walls with 1/2" clearance above housing.

## PRODUCT CODE

For complete product code, list basic unit and select one item from each following box.

### Basic Unit

no lens holder ..... THR-XTM-DL  
with lens holder ..... THR-XTM-DG

### Internal Reflector Choose one.

36° initial beamspread ..... – 36D  
54° initial beamspread ..... – 54D

### Driver

dimmable to 1% by a 0-10V dimmer on 120 or 277-volt service ..... – DMV  
dimmable to 5% or 10% (see Light Output box below) by either an incandescent or ELV dimmer; 120-volt service only ..... – DMP  
dimmable to 1% by a 2-wire Lutron compatible dimmer ..... – DMI-LU  
dimmable to 1% SoftOn/FadeToBlack by a Lutron EcoSystem control; not available with L07A, L10S or L10V models ..... – ECO-LU  
eldoLED 0-10V (Logarithmic) driver dimmable to 0.1% with a 0-10V dimmer on 120 or 277-volt service ..... – DVOELG  
eldoLED 0-10V (Linear) driver dimmable to 0.1% with a 0-10V dimmer on 120 or 277-volt service ..... – DVOELN  
eldoLED driver dimmable to 0.1%, compatible with DALI control system ..... – DA0-EL  
Moons' driver dimmable to 0.1%, compatible with DMX controllers ..... – DX0

### Light Source Output (Lumens)

700L / CRI 98 Artist ..... DMP (10%) ... L07A  
1000L / CRI 98 Artist ..... DMP (5%) ... L10A  
1000L / CRI 80+ ..... DMP (10%) ... L10S  
1000L / CRI 80+ Vibrant ..... 3000K only ..... DMP (10%) ... L10V  
1300L / CRI 80+ ..... DMP (5%) ... L13S  
1300L / CRI 80+ Vibrant ..... 3000K only ..... DMP (10%) ... L13V  
1600L / CRI 80+ ..... see SPACING ..... DMP (5%) ... L16S  
1600L / CRI 80+ Vibrant ... see SPACING ... 3000K only ..... DMP (5%) ... L16V

### Light Color

2700 K ..... - 27K  
3000 K ..... - 30K  
3500 K ..... - 35K  
4000 K ..... - 40K

### External Reflector Color and Trim

	Overlap	Trim Flush*
Semi-specular Clear	COL	CTF
Slightly diffuse Clear	VOL	VTF
Fully diffuse Clear	ECOL	ECTF
Black	BOL	BTF
White	WOL	WTF

Standard reflector flange continues reflector finish. White painted flanges and custom painted flanges are available on special order. Add WF (white flange) or CCF (custom color flange).

\*Trim Flush reflector trim requires the use of a **plaster ring** Accessory (see below).

► Reflectors detailed for metal or wood ceilings available on special order.

A LightPlate may be ordered instead of an external reflector above (see below).

LightPlate Downlight Spot, white ..... DP3-OL ..... DP3-TF

Custom painted LightPlates are available on special order. Add –CC

## OPTIONS Specify by adding to the basic unit.

**Remote emergency battery pack** including two components – battery pack and plate with test switch and light – to be mounted adjacent to luminaire; for use in accessible ceilings ..... – RX

## EXTRA REFLECTORS Specify as separate line items.

36° internal reflector ..... XTM-REF36-50  
54° internal reflector ..... XTM-REF54-50

## ACCESSORIES Specify as a separate line item.

**Plaster ring** allows use of 3 3/4" OD Trim Flush (TF) reflector in sheetrock ceiling; 4" dia hole required ..... TF RING/3

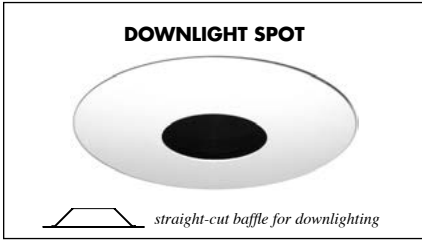


41-50 22<sup>ND</sup> STREET, LIC NY 11101 TEL 718.685.0700 FAX 718.786.8530 www.epl.com

©Copyright, Edison Price Lighting 2019

LED 0-012 6-19

## LIGHTPLATES LightPlate may be used instead of external reflector.



## OPTICAL ACCESSORIES Specify as separate line

Specify as separate line items. For use only with the “Integral holder... - DG” Option listed above.  
 All are 2 3/4” (70mm) diameter. Lenses and filters are glass; screens are aluminum.

<b>diffuse glass</b> .....	DGS/2.375	<b>color filters</b>	
<b>prismatic lens (Solite)</b> .....	(included with - DG option)..... PLS/2.375	surprise pink .....	PNK/2.375
<b>55° spread lens</b> .....	LENS/2.375	daylight blue.....	DAY/2.375
<b>40° x 70° spread lens</b> .....	LENS/2.375-4070	amber .....	AMB/2.375
<b>beam smoother</b> .....	CLR/2.375	blue .....	BLU/2.375
<b>33% light reduction screen</b> .....	SCR33/2.375	green .....	GRN/2.375
<b>50% light reduction screen</b> .....	SCR50/2.375	red .....	RED/2.375

See below for photometric reports

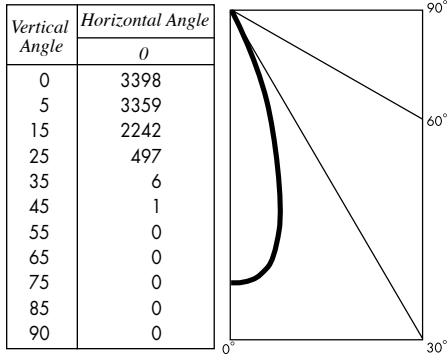


## PHOTOMETRIC REPORT with 36° reflector (tested per IESNA LM-79-2008)

**UL** Verification Services Report No. 1188770. Original test report furnished upon request.

Luminaire ..... recessed LED round downlight with semi-specular clear aluminum reflector  
 Light Source ..... one white Xicato XTM 19mm LES LED with 36° beam spread integral reflector, 3000K CCT, 80 CRI, 1600 lumens  
 Spacing Criteria ..... 0.6

### CANDLEPOWER DISTRIBUTION (Candela)



### LUMINANCE DATA

Vertical Angle	Candela/m <sup>2</sup>
45	389
55	52
65	0
75	0
85	0

### ZONAL LUMEN SUMMARY

Zone	Lumens	% Fixture
0 - 40°	1167	99.6
0 - 60°	1168	100.0
0 - 90°	1168	100.0
90 - 180°	0	0.0
0 - 180°	1168	100.0

### LUMINAIRE LIGHT OUTPUT AND EFFICACY

LED Light Engine	Luminaire Light Output	Luminaire Efficacy (lms/watt)	System Wattage	RX Light Output (90 min. run)
700 Lumens Artist	541*	53*	10	377*
1000 Lumens Artist	718*	49*	15	377*
1000 Lumens standard & Vibrant	725*	70*	10	388*
1300 Lumens standard & Vibrant	968*	65*	15	388*
1600 Lumens standard & Vibrant	1168	69	17	433*

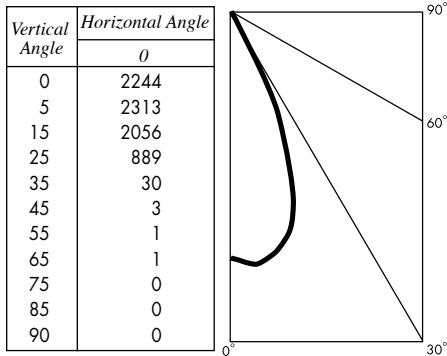
\*estimated values

## PHOTOMETRIC REPORT with 54° reflector (tested per IESNA LM-79-2008)

**UL** Verification Services Report No. 1188771. Original test report furnished upon request.

Luminaire ..... recessed LED round downlight with semi-specular clear aluminum reflector  
 Light Source ..... one white Xicato XTM 19mm LES LED with 54° beam spread integral reflector, 3000K CCT, 80 CRI, 1600 lumens  
 Spacing Criteria ..... 0.8

### CANDLEPOWER DISTRIBUTION (Candela)



### LUMINANCE DATA

Vertical Angle	Candela/m <sup>2</sup>
45	929
55	496
65	327
75	0
85	0

### ZONAL LUMEN SUMMARY

Zone	Lumens	% Fixture
0 - 40°	1230	99.7
0 - 60°	1233	99.9
0 - 90°	1234	100.0
90 - 180°	0	0.0
0 - 180°	1234	100.0

### LUMINAIRE LIGHT OUTPUT AND EFFICACY

LED Light Engine	Luminaire Light Output	Luminaire Efficacy (lms/watt)	System Wattage	RX Light Output (90 min. run)
700 Lumens Artist	572*	56*	10	399*
1000 Lumens Artist	759*	52*	15	399*
1000 Lumens standard & Vibrant	766*	74*	10	410*
1300 Lumens standard & Vibrant	1022*	69*	15	410*
1600 Lumens standard & Vibrant	1234	73	17	457*

\*estimated values

## STANDARD DMV DRIVER INFORMATION (UL Class 2, dry and damp location)

Voltage	120	277
Input Watts (I07A/I10A/I10S&V/I13S&V/I16S&V)	10/15/10/15/17	10/15/10/15/17
Input Current (A) (I07A/I10A/I10S&V/I13S&V/I16S&V)	.08/13/08/13/14	.04/05/04/05/06
Output Current (mA)	350-700	350-700
Min. Power Factor	.99	.99
Operating Temperature Range (F)	-13 to 122	-13 to 122

## LIGHT OUTPUT MULTIPLIER

LED Light Engine	Light Output Multiplier	RX Light Output Multiplier
700 Lumens Artist	.46*	.32*
1000 Lumens Artist	.61*	.32*
1000 Lumens standard & Vibrant	.62*	.33*
1300 Lumens standard & Vibrant	.83*	.33*
1600 Lumens standard & Vibrant	1.0	.37*

\*estimated values

## REFLECTOR COLOR MULTIPLIERS

Semi-specular clear (C)	1
Slightly diffuse clear (V)	.95
Fully diffuse clear (EC)	.88
Champagne gold clear (G)	.95
Black (B)	.49