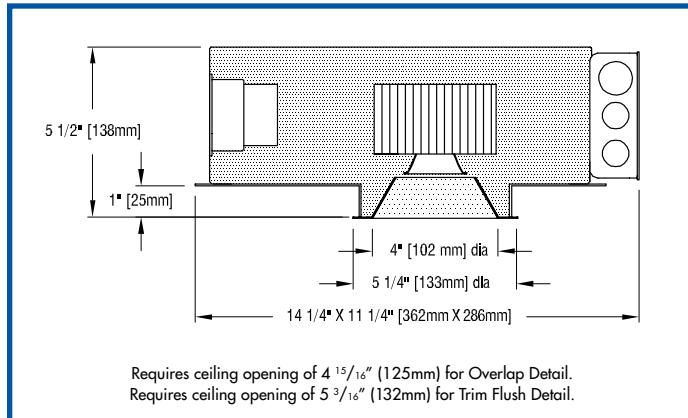


FOUR XTM DL recessed LED downlight


FULLY SUSTAINABLE – FULLY SUSTAINABLE – FULLY SUSTAINABLE – FULLY SUSTAINABLE – FULLY SUSTAINABLE – FULLY SUSTAINABLE – FULLY SUSTAINABLE



FEATURES

- **FOUR XTM DL is a 4" aperture LED downlight.** Luminaire is powered by one of a number of Xicato XTM (19mm) LED modules, all of which are distinguished by extraordinary color consistency (within 1x2-step MacAdam ellipse). See tables below for wattages and efficacies.
- **Luminaire may be ordered with one of a number of drivers.**
- **Luminaire employs an internal 'twist and lock' reflector** to produce an initial beamspread of either 36° or 54°. To allow beamspread to be changed in installed luminaires, internal reflectors are available as accessories.
- **External reflectors are available in three clear natural aluminum colors** – semi-specular (C), slightly diffuse (V) or fully diffuse (EC) – as well as black Alzak® and specular white enamel. Other finishes are available on special order. A LightPlate may be used instead of an external reflector.
- **LightCharms® or LightPlate™ decorative trims may be ordered instead of standard reflectors.**
- **An optional integral holder (DG) is available to permit use of one or two Optical Accessories** (spread lenses, color filters, screens, etc.). A complimentary prismatic lens is included with this option.
- **Luminaire includes a pair of mounting bars** (3/4" x 27" C channel). Specialty bars for wood and T-bar installations are also available.
- **For more information, [click here](#).**

APPLICATIONS

Luminaire is  listed as an inherently protected luminaire for Damp Location. Luminaire is RoHA compliant, is suitable for use in a fire rated ceiling and is approved for ten #12 wire 90° C branch circuit wiring. Removal of the external reflector allows access to the LED module and junction box.



SPACING
Three models – L13A, L20S and L20V – must be spaced 30" apart and 15" from walls with 1/2" clearance above housing.

PRODUCT CODE

For complete product code, list basic unit and select one item from each following box.

Basic Unit	
no lens holder	FR-XTM-DL
with lens holder	FR-XTM-DG
Internal Reflector <i>Choose one.</i>	
36° initial beamspread	- 36D
54° initial beamspread	- 54D
Driver	
dimmable to 1% by a 0-10V dimmer on 120 or 277-volt service.....	- DMV
dimmable to 5% or 10% (see Light Output box below) by either an incandescent or ELV dimmer; 120-volt service only	- DMP
dimmable to 1% by a 2-wire Lutron compatible dimmer	- DMI-LU
dimmable to 1% SoftOn/FadeToBlack by a Lutron EcoSystem control; not available with L07A, L10S or L10V models	- ECO-LU
eldoLED 0-10V (Logarithmic) driver dimmable to 0.1% with a 0-10V dimmer on 120 or 277-volt service	- DVOELG
eldoLED 0-10V (Linear) driver dimmable to 0.1% with a 0-10V dimmer on 120 or 277-volt service	- DVOELN
eldoLED driver dimmable to 0.1%, compatible with DALI control system	- DA0-EL
Moons' driver dimmable to 0.1%, compatible with DMX controllers	- DX0

Light Source Output (Lumens)	
700L / CRI 98 Artist	DMP (10%) ... - L07A
1000L / CRI 98 Artist	DMP (5%) ... - L10A
1000L / CRI 80+	DMP (10%) ... - L10S
1000L / CRI 80+ Vibrant	3000K only ... DMP (10%) ... - L10V
1300L / CRI 98 Artist	see SPACING ... DMP (5%) ... - L13A
1300L / CRI 80+	DMP (10%) ... - L13S
1300L / CRI 80+ Vibrant	3000K only ... DMP (10%) ... - L13V
1600L / CRI 98 Artist	DMP (5%) ... - L16A
1600L / CRI 80+	DMP (5%) ... - L16S
1600L / CRI 80+ Vibrant	3000K only ... DMP (5%) ... - L16V
2000L / CRI 80+	see SPACING ... DMP (5%) ... - L20S
2000L / CRI 80+ Vibrant	see SPACING . 3000K only... DMP (5%) ... - L20V

Light Color	
2700 K	- 27K
3000 K	- 30K
3500 K	- 35K
4000 K	- 40K

External Reflector Color and Trim	<i>Overlap</i>	<i>Trim Flush*</i>
Semi-specular Clear	COL	CTF
Slightly diffuse Clear	VOL	VTF
Fully diffuse Clear	ECOL	ECTF
Black	BOL	BTF
White	WOL	WTF
Standard reflector flange continues reflector finish. White painted flanges and custom painted flanges are available on special order. Add WF (white flange) or CCF (custom color flange).		
*Trim Flush reflector trim requires the use of a plaster ring Accessory (see below).		
▶ Reflectors detailed for metal or wood ceilings available on special order.		
LightCharms or LightPlate may be ordered instead of the standard reflectors above.		
LightCharm Silver Point	LC-SP	
LightCharm Opal	LC-O	
LightCharm Crystal	LC-C	
LightPlate Downlight Spot , white	DP-OL	DP-TF
Custom painted trims for LightPlate are available on special order. Add -CC		

OPTIONS *Specify by adding to the basic unit.*

Remote emergency battery pack including two components – battery pack and plate with test switch and light – to be mounted adjacent to luminaire; for use in accessible ceilings

- RX

EXTRA REFLECTORS *Specify as separate line items.*

36° internal reflector	XTM-REF36-50
54° internal reflector	XTM-REF54-50

ACCESSORIES *Specify as a separate line item.*

Plaster ring allows use of 4 7/8" OD Trim Flush (TF) reflector in sheetrock ceiling; 5 3/16" dia hole required

TF RING/4

OPTICAL ACCESSORIES *Specify as separate line*

Specify as separate line items.

For use only with the "Integral holder... - DG" Option listed above.

All are 2 3/4" (70mm) diameter. Lenses and filters are glass; screens are aluminum.

diffuse glass DGS/2.75

prismatic lens (Solite) (included with - DG option)..... PLS/2.75

55° spread lens LENS/2.75

40° x 70° spread lens LENS/2.75-4070

beam smoother CLR/2.75

33% light reduction screen SCR33/2.75

50% light reduction screen SCR50/2.75

color filters

surprise pinkPNK/2.75

daylight blue..... DAY/2.75

amber AMB/2.75

blue BLU/2.75

green GRN/2.75

red RED/2.75



See below for photometric reports

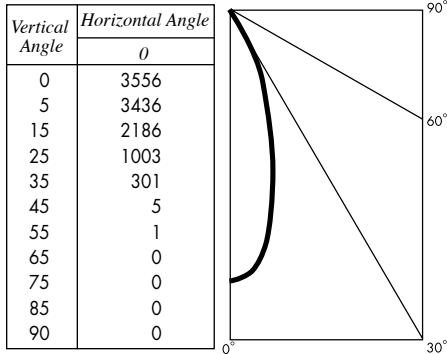


PHOTOMETRIC REPORT with 36° reflector (tested per IESNA LM-79-2008)

Verification Services Report No. 1173020. Original test report furnished upon request.

Luminaire recessed LED round downlight with semi-specular clear aluminum reflector
 Light Source one white Xicato XTM 19mm LES LED with 36° beam spread integral reflector, 3000K CCT, 80 CRI, 2000 lumens
 Spacing Criteria 0.6

CANDLEPOWER DISTRIBUTION (Candela)



LUMINANCE DATA

Vertical Angle	Candela/m ²
45	934
55	190
65	64
75	55
85	0

ZONAL LUMEN SUMMARY

Zone	Lumens	% Fixture
0 - 40°	1555	99.6
0 - 60°	1561	100.0
0 - 90°	1562	100.0
90 - 180°	0	0.0
0 - 180°	1562	100.0

LUMINAIRE LIGHT OUTPUT AND EFFICACY

LED Light Engine	Luminaire Light Output	Luminaire Efficacy (lms/watt)	System Wattage	RX Light Output (90 min. run)
700 Lumens Artist	571*	56*	10	406*
1000 Lumens Artist	757*	51*	15	406*
1300 Lumens Artist	1000*	52*	19	406*
1600 Lumens Artist	1216*	62*	20	437*
1000 Lumens standard & Vibrant	765*	74*	10	422*
1300 Lumens standard & Vibrant	1020*	69*	15	422*
1600 Lumens standard & Vibrant	1232*	70*	17	500*
2000 Lumens standard & Vibrant	1562	79	20	469*

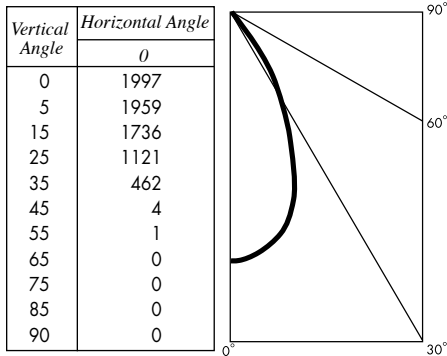
*estimated values

PHOTOMETRIC REPORT with 54° reflector (tested per IESNA LM-79-2008)

Verification Services Report No. 1173021. Original test report furnished upon request.

Luminaire recessed LED round downlight with semi-specular clear aluminum reflector
 Light Source one white Xicato XTM 19mm LES LED with 54° beam spread integral reflector, 3000K CCT, 80 CRI, 2000 lumens
 Spacing Criteria 0.9

CANDLEPOWER DISTRIBUTION (Candela)



LUMINANCE DATA

Vertical Angle	Candela/m ²
45	641
55	163
65	91
75	36
85	0

ZONAL LUMEN SUMMARY

Zone	Lumens	% Fixture
0 - 40°	1454	98.3
0 - 60°	1478	100.0
0 - 90°	1479	100.0
90 - 180°	0	0.0
0 - 180°	1479	100.0

LUMINAIRE LIGHT OUTPUT AND EFFICACY

LED Light Engine	Luminaire Light Output	Luminaire Efficacy (lms/watt)	System Wattage	RX Light Output (90 min. run)
700 Lumens Artist	540*	53*	10	385*
1000 Lumens Artist	717*	49*	15	385*
1300 Lumens Artist	947*	49*	19	385*
1600 Lumens Artist	1151*	59*	20	414*
1000 Lumens standard & Vibrant	724*	70*	10	399*
1300 Lumens standard & Vibrant	966*	65*	15	399*
1600 Lumens standard & Vibrant	1166*	67*	17	473*
2000 Lumens standard & Vibrant	1479	75	20	444*

*estimated values

STANDARD DMV DRIVER INFORMATION (UL Class 2, dry and damp location)

Voltage	120	277
Input Watts (L07A/L10A/L13A/L16A/L10S&V/L13S&V/L16S&V/L20S&V)	10/15/19/20/10/15/17/20	10/15/19/20/10/15/17/20
Input Current (A) (L07A/L10A/L13A/L16A/L10S&V/L13S&V/L16S&V/L20S&V)	.08/13/16/17/08/13/14/17	.04/05/07/07/04/05/06/07
Output Current (mA)	350-700	350-700
Min. Power Factor	.99	.99
Operating Temperature Range (F)	-13 to 122	-13 to 122

LIGHT OUTPUT MULTIPLIER

LED Light Engine	Light Output Multiplier	RX Light Output Multiplier
700 Lumens Artist	.37*	.26*
1000 Lumens Artist	.48*	.26*
1300 Lumens Artist	.64*	.26*
1600 Lumens Artist	.78*	.28*
1000 Lumens standard & Vibrant	.49*	.27*
1300 Lumens standard & Vibrant	.65*	.27*
1600 Lumens standard & Vibrant	.79*	.32*
2000 Lumens standard & Vibrant	1	.30*

*estimated values

REFLECTOR COLOR MULTIPLIERS

Semi-specular clear (C)	1
Slightly diffuse clear (V)	.95
Fully diffuse clear (EC)	.88
Champagne gold clear (G)	.95
Black (B)	.49