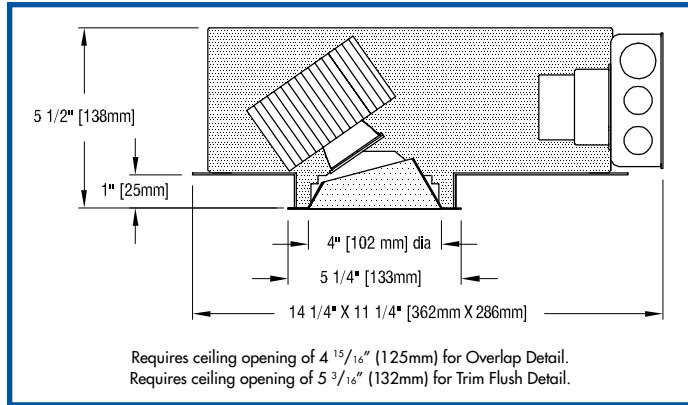


# FOUR NSP AA EE

recessed LED narrow spot accent light

PRECISE OPTICS – PRECISE OPTICS – PRECISE OPTICS – PRECISE OPTICS – PRECISE OPTICS – PRECISE OPTICS – PRECISE OPTICS



- **FOUR NSP AA EE is a 4" aperture, enhanced efficacy (EE), LED narrow spot accent light.** Luminaire is powered by one of a number of Xicato XTS (9mm) LED modules. See tables below for wattages and efficacies. Luminaire may be ordered with one of a number of drivers.
- **Luminaire provides 362° horizontal rotation and 0°-35° angular adjustment.** Once focused, adjustment is locked by a thumb screw and wing nut.
- **Luminaire employs an internal 'twist and lock' reflector** to produce an initial beam-spread of 14° or 24°. To allow beam-spread to be changed in installed luminaires, internal reflectors are available as accessories.
- **Luminaire includes a complimentary Beam Smoother** which may be replaced by one or two **Optical Accessories** including lenses and screens.
- **External reflectors, cut at 15°**, are available in three natural aluminum finishes – semi-specular (C), slightly diffuse (V) or fully diffuse (EC) – as well as black Alzak® and specular white enamel. Other finishes are available on special order. A LightPlate may be used instead of an external reflector.
- **LightCharms® or LightPlate™ decorative trims** may be ordered instead of standard reflectors, see below.
- **Luminaire may be converted to a downlight in the field** by re-setting the angular adjustment yoke and replacing the standard external reflector with an optional 0° cut reflector.
- **Housing is constructed from 20-gauge electro-zinc, polyester-coated steel** in Edison Price Lighting's American factory. Heavy-gauge metals and American manufacturing guarantee long-lasting durability.
- **Luminaire includes a pair of mounting bars** (3/4" x 27" C channel). Specialty bars for wood and T-bar installations are also available.
- **For more information, [click here](#).**

## APPLICATIONS

Luminaire is listed as an inherently protected luminaire for Damp Location. Luminaire is RoHA compliant, is suitable for use in a fire rated ceiling and is approved for ten #12 wire 90° C branch circuit wiring. Removal of the external reflector allows access to the LED module and junction box.

For a version of this luminaire designed to provide less shielding of the light source and greater efficacy, see [FOUR NSP AA ES](#).  
For **higher lumen packages** and **lower pricing**, see [FOUR HI CZS AA](#).  
For **narrower beamspreads**, see [FIVE HI CLT VNSP](#).  
For **shallower depths** and **lower pricing**, see [WAFER/4AA](#).

**SPACING** – Three models – L10A, L13S and L13V – must be spaced 30" apart and 15" from walls with 1/2" clearance above housing.

## PRODUCT CODE

For complete product code, list basic unit and select one item from each following box.

|  |           |
|--|-----------|
| Basic Unit .....   | FR-XTS-AA |
| Internal Reflector <i>Choose one.</i>  |           |
| 14° initial beamspread .....   | - 14D     |
| 24° initial beamspread .....   | - 24D     |
| Driver   |           |
| dimmable to 1% by a 0-10V dimmer on 120 or 277-volt service .....  | - DMV     |
| dimmable to 5% or 10% (see Light Output box below) by either an incandescent or ELV dimmer; 120-volt service only .....                              | - DMP     |
| dimmable to 1% by a 2-wire Lutron compatible dimmer .....  | - DMHU    |
| dimmable to 1% SoftOn/FadeToBlack by a Lutron EcoSystem control; <b>not</b> available with <b>L07S, L07V, L10A, L13S</b> or <b>L13V</b> models ..... | - ECO-LU  |
| eldoLED 0-10V (Logarithmic) driver dimmable to 0.1% with a 0-10V dimmer on 120 or 277-volt service .....   | - DVOELG  |
| eldoLED 0-10V (Linear) driver dimmable to 0.1% with a 0-10V dimmer on 120 or 277-volt service .....  | - DVOELN  |
| eldoLED driver dimmable to 0.1%, compatible with DALI control system .....   | - DA0-EL  |
| Moons' driver dimmable to 0.1%, compatible with DMX controllers .....  | - DX0     |

|                               |   |
|-------------------------------|---|
| Light Source Output (Lumens)  |   |
| 700L / CRI 98 Artist .....    | DMP (5%) ...- L07A                                |
| 700L / CRI 80+ .....          | DMP (10%) ...- L07S                               |
| 700L / CRI 80+ Vibrant .....  | 3000K only ... DMP (10%) ...- L07V                |
| 1000L / CRI 98 Artist .....   | see SPACING ... DMP (5%) ...- L10A                |
| 1000L / CRI 80+ .....         | DMP (5%) ...- L10S                                |
| 1000L / CRI 80+ Vibrant ..... | 3000K only ... DMP (5%) ...- L10V                 |
| 1300L / CRI 80+ .....         | see SPACING ... DMP (5%) ...- L13S                |
| 1300L / CRI 80+ Vibrant ..... | see SPACING ... 3000K only ... DMP (5%) ...- L13V |

|              |       |
|--------------|-------|
| Light Color  |       |
| 2700 K ..... | - 27K |
| 3000 K ..... | - 30K |
| 3500 K ..... | - 35K |
| 4000 K ..... | - 40K |

|                                   |               |             |
|-----------------------------------|---------------|-------------|
| External Reflector Color and Trim | Overlap       | Trim Flush* |
| Semi-specular Clear .....         | EE-COL .....  | EE-CTF      |
| Slightly diffuse Clear .....      | EE-VOL .....  | EE-VTF      |
| Fully diffuse Clear .....         | EE-ECOL ..... | EE-ECTF     |
| Black .....                       | EE-BOL .....  | EE-BTF      |
| White .....                       | EE-WOL .....  | EE-WTF      |

Standard reflector flange continues reflector finish. White painted flanges and custom painted flanges are available on special order. Add WF (white flange) or CCF (custom color flange).

\*Trim Flush reflector requires the use of a **plaster ring** Accessory (see below).

► Reflectors detailed for metal or wood ceilings available on special order.

LightCharms or LightPlate may be ordered instead of the standard reflectors above.

|  |             |
|--|-------------|
| LightCharm <b>Silver Point</b> .....           | LC-SP       |
| LightCharm <b>Opal</b> .....                   | LC-O        |
| LightCharm <b>Crystal</b> .....                | LC-C        |
| LightPlate <b>Downlight Spot</b> , white ..... | DP-OL ..... |
| LightPlate <b>Accent Spot</b> , white .....    | AP-OL ..... |
| LightPlate <b>Accent Slot</b> , white .....    | AL-OL ..... |

Custom painted trims for LightPlate are available on special order. Add -CC

## OPTIONS Specify by adding to the basic unit.

|   |      |
|---|------|
| 0° cut <b>downlight reflector</b> .....   | - 0  |
| <b>Remote emergency battery pack</b> including two components – battery pack and plate with test switch and light – to be mounted adjacent to luminaire; for use in accessible ceilings ..... | - RX |

## EXTRA REFLECTORS Specify as separate line items.

|                              |              |
|------------------------------|--------------|
| 14° internal reflector ..... | XTM-REF14-50 |
| 24° internal reflector ..... | XTM-REF24-50 |

## ACCESSORIES Specify as a separate line item.

|  |           |
|--|-----------|
| <b>Plaster ring</b> allows use of 4 7/8" OD Trim Flush (-TF) reflector in sheetrock ceiling; 5 3/16" dia hole required ..... | TF RING/4 |
|--|-----------|

## OPTICAL ACCESSORIES *Specify as separate line*

All are 2 3/4" (70mm) diameter.

|   |   |
|---|---|
| <b>diffuse glass</b> .....              | DGS/2.75                                |
| <b>prismatic lens (Solite)</b> .....    | PLS/2.75                                |
| <b>55° spread lens</b> .....            | LENS/2.75                               |
| <b>40° x 70° spread lens</b> .....      | LENS/2.75-4070                          |
| <b>beam smoother</b> .....              | (included with fixture)..... DIF05/2.75 |
| <b>33% light reduction screen</b> ..... | SCR33/2.75                              |
| <b>50% light reduction screen</b> ..... | SCR50/2.75                              |

### color filters

|                     |          |
|---------------------|----------|
| surprise pink ..... | PNK/2.75 |
| daylight blue.....  | DAY/2.75 |
| amber .....         | AMB/2.75 |
| blue .....          | BLU/2.75 |
| green .....         | GRN/2.75 |
| red .....           | RED/2.75 |

### Downlight Reflectors

*Overlap*

*Trim Flush*

|                              |                           |                     |
|------------------------------|---------------------------|---------------------|
| Semi-specular Clear .....    | REF-FR-AA-EE-0-COL .....  | REF-FR-AA-EE-0-CTF  |
| Slightly diffuse Clear ..... | REF-FR-AA-EE-0-VOL .....  | REF-FR-AA-EE-0-VTF  |
| Fully diffuse Clear .....    | REF-FR-AA-EE-0-ECOL ..... | REF-FR-AA-EE-0-ECTF |
| Black .....                  | REF-FR-AA-EE-0-BOL .....  | REF-FR-AA-EE-0-BTF  |
| White .....                  | REF-FR-AA-EE-0-WOL .....  | REF-FR-AA-EE-0-WTF  |

### Downlight Conversion

Convert to a downlight in the field. Tilt the heatsink assembly to the vertical then shift it to the center of the aperture. Replace angle-cut reflector with 0°-cut **Downlight Reflector** (see OPTIONS).



## LIGHTCHARMS & LIGHTPLATES

LightCharms and LightPlates may be used instead of standard reflectors.



LIGHTCHARM  
SILVER POINT



LIGHTCHARM  
OPAL



LIGHTCHARM  
CRYSTAL



LIGHTPLATE  
DOWNLIGHT SPOT

*straight-cut baffle  
for downlighting*



LIGHTPLATE  
ACCENT SPOT

*angle-cut baffle  
for accent lighting*



LIGHTPLATE  
ACCENT SLOT

*angle-cut baffle  
for accent lighting*

See below for photometric reports



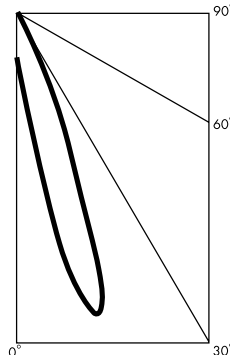
## PHOTOMETRIC REPORT with 14° reflector (tested per IESNA LM-79-2008)

Verification Services Report No. 1177575. Original test report furnished upon request.

Luminaire ..... recessed LED round accent light with semi-specular clear aluminum reflector, LED aimed at 15° above vertical  
 Light Source ..... one white Xicato XTM 9mm LES LED with 14° beam spread integral reflector, 3000K CCT, 80 CRI, 1300 lumens

### CANDLEPOWER DISTRIBUTION (Candela)

| Vertical Angle | Horizontal Angle |      |      |      |      |
|----------------|------------------|------|------|------|------|
|                | 0                | 45   | 90   | 135  | 180  |
| 0              | 1159             | 1159 | 1159 | 1159 | 1159 |
| 5              | 2534             | 1738 | 1051 | 725  | 654  |
| 15             | 8905             | 2173 | 618  | 323  | 128  |
| 25             | 1989             | 867  | 175  | 7    | 4    |
| 35             | 525              | 133  | 5    | 3    | 2    |
| 45             | 4                | 4    | 3    | 2    | 0    |
| 55             | 1                | 1    | 2    | 2    | 1    |
| 65             | 0                | 2    | 2    | 1    | 0    |
| 75             | 0                | 2    | 1    | 0    | 0    |
| 85             | 0                | 1    | 0    | 0    | 0    |
| 90             | 0                | 0    | 0    | 0    | 0    |



### LUMINAIRE LIGHT OUTPUT AND EFFICACY

|                                | Luminaire Light Output | Luminaire CBCP | Luminaire Efficacy (lms/watt) | System Wattage | RX Light Output (90 min. run) |
|--------------------------------|------------------------|----------------|-------------------------------|----------------|-------------------------------|
| LED Light Engine               |                        |                |                               |                |                               |
| 700 Lumens Artist              | 515*                   | 4907*          | 31*                           | 15             | 188*                          |
| 1000 Lumens Artist             | 671*                   | 6392*          | 33*                           | 19             | 188*                          |
| 700 Lumens standard & Vibrant  | 535*                   | 5097*          | 48*                           | 10             | 281*                          |
| 1000 Lumens standard & Vibrant | 710*                   | 6765*          | 43*                           | 15             | 281*                          |
| 1300 Lumens standard & Vibrant | 938                    | 8935           | 46                            | 19             | 281*                          |

\*estimated values

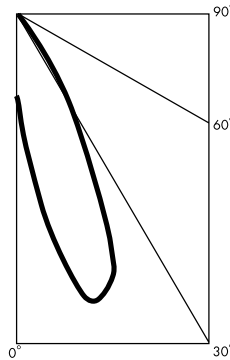
## PHOTOMETRIC REPORT with 24° reflector (tested per IESNA LM-79-2008)

Verification Services Report No. 1177577. Original test report furnished upon request.

Luminaire ..... recessed LED round accent light with semi-specular clear aluminum reflector, LED aimed at 15° above vertical  
 Light Source ..... one white Xicato XTM 9mm LES LED with 24° beam spread integral reflector, 3000K CCT, 80 CRI, 1300 lumens

### CANDLEPOWER DISTRIBUTION (Candela)

| Vertical Angle | Horizontal Angle |      |      |      |      |
|----------------|------------------|------|------|------|------|
|                | 0                | 45   | 90   | 135  | 180  |
| 0              | 1261             | 1261 | 1261 | 1261 | 1261 |
| 5              | 2282             | 1807 | 1136 | 740  | 645  |
| 15             | 4726             | 2007 | 592  | 224  | 87   |
| 25             | 2939             | 968  | 128  | 6    | 3    |
| 35             | 762              | 146  | 5    | 2    | 1    |
| 45             | 14               | 4    | 1    | 1    | 1    |
| 55             | 0                | 0    | 0    | 0    | 0    |
| 65             | 0                | 0    | 0    | 0    | 0    |
| 75             | 0                | 0    | 0    | 0    | 0    |
| 85             | 0                | 0    | 0    | 0    | 0    |
| 90             | 0                | 0    | 0    | 0    | 0    |



### LUMINAIRE LIGHT OUTPUT AND EFFICACY

|                                | Luminaire Light Output | Luminaire CBCP | Luminaire Efficacy (lms/watt) | System Wattage | RX Light Output (90 min. run) |
|--------------------------------|------------------------|----------------|-------------------------------|----------------|-------------------------------|
| LED Light Engine               |                        |                |                               |                |                               |
| 700 Lumens Artist              | 465*                   | 2628*          | 31*                           | 15             | 173*                          |
| 1000 Lumens Artist             | 618*                   | 3423*          | 33*                           | 19             | 173*                          |
| 700 Lumens standard & Vibrant  | 493*                   | 2730*          | 48*                           | 10             | 259*                          |
| 1000 Lumens standard & Vibrant | 654*                   | 3623*          | 43*                           | 15             | 259*                          |
| 1300 Lumens standard & Vibrant | 864                    | 4785           | 46                            | 19             | 259*                          |

\*estimated values

### STANDARD DMV DRIVER INFORMATION (UL Class 2, dry and damp location)

| Voltage   | 120                 | 277                 |
|---|---------------------|---------------------|
| Input Watts<br>(I07A/L10A/I07S&V/L10S&V/L13S&V)       | 15/19/10/15/19      | 15/19/10/15/19      |
| Input Current (A)<br>(I07A/L10A/I07S&V/L10S&V/L13S&V) | .13/.16/.08/.13/.16 | .05/.07/.04/.05/.07 |
| Output Current (mA)                                   | 350-700             | 350-700             |
| Min. Power Factor                                     | .99                 | .99                 |
| Operating Temperature Range (F)                       | -13 to 122          | -13 to 122          |

### LIGHT OUTPUT MULTIPLIER

| LED Light Engine               | Light Output Multiplier | RX Light Output Multiplier |
|--------------------------------|-------------------------|----------------------------|
| 700 Lumens Artist              | .55*                    | .20*                       |
| 1000 Lumens Artist             | .72*                    | .20*                       |
| 700 Lumens standard & Vibrant  | .57*                    | .30*                       |
| 1000 Lumens standard & Vibrant | .76*                    | .30*                       |
| 1300 Lumens standard & Vibrant | 1                       | .30*                       |

\*estimated values

### REFLECTOR COLOR MULTIPLIERS

|                            |     |
|----------------------------|-----|
| Semi-specular clear (C)    | 1   |
| Slightly diffuse clear (V) | .95 |
| Fully diffuse clear (EC)   | .88 |
| Champagne gold clear (G)   | .95 |
| Black (B)                  | .49 |