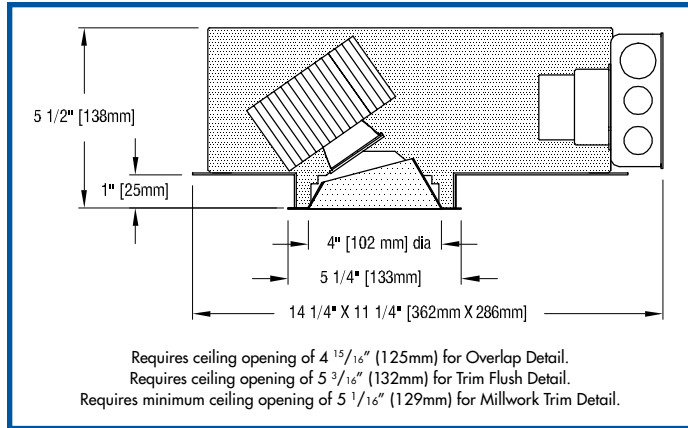


# FOUR NSP AA EE


recessed LED narrow spot accent light

PRECISE OPTICS – PRECISE OPTICS – PRECISE OPTICS – PRECISE OPTICS – PRECISE OPTICS – PRECISE OPTICS – PRECISE OPTICS



- **FOUR NSP AA EE is a 4" aperture, enhanced efficacy (EE), LED narrow spot accent light.** Luminaire is powered by one of a number of Xicato XTS (9mm) LED modules. See tables below for wattages and efficacies. Luminaire may be ordered with one of a number of drivers.
- **Luminaire provides 362° horizontal rotation and 0°-35° angular adjustment.** Once focused, adjustment is locked by a thumb screw and wing nut.
- **Luminaire employs an internal 'twist and lock' reflector** to produce an initial beamspread of 14° or 24°. To allow beamspread to be changed in installed luminaires, internal reflectors are available as accessories.
- **Luminaire includes a complimentary Beam Smoother** which may be replaced by one or two **Optical Accessories** including lenses and screens.
- **External reflectors, cut at 15°**, are available in three natural aluminum finishes – semi-specular (C), slightly diffuse (V) or fully diffuse (EC) – as well as black Alzak® and specular white enamel. Other finishes are available on special order. A LightPlate may be used instead of an external reflector.
- **LightCharms® or LightPlate™ decorative trims** may be ordered instead of standard reflectors, see below.
- **Luminaire may be converted to a downlight in the field** by re-setting the angular adjustment yoke and replacing the standard external reflector with an optional 0° cut reflector.
- **Housing is constructed from 20-gauge electro-zinc, polyester-coated steel** in Edison Price Lighting's American factory. Heavy-gauge metals and American manufacturing guarantee long-lasting durability.
- **Luminaire includes a pair of mounting bars** (3/4" x 27" C channel). Specialty bars for wood and T-bar installations are also available.
- **For more information, click here.**

## APPLICATIONS

Luminaire is  listed as an inherently protected luminaire for Damp Location. Luminaire is RoHA compliant, is suitable for use in a fire rated ceiling and is approved for ten #12 wire 90° C branch circuit wiring. Removal of the external reflector allows access to the LED module and junction box.

For a version of this luminaire designed to provide less shielding of the light source and greater efficacy, see [FOUR NSP AA ES](#).  
For **higher lumen packages and lower pricing**, see [FOUR HI CZS AA](#).  
For **narrower beamspreads**, see [FIVE HI CLT VNSP](#).  
For **shallower depths and lower pricing**, see [WAFER/4AA](#).

**SPACING** – Three models – L10A, L13S and L13V – must be spaced 30" apart and 15" from walls with 1/2" clearance above housing.

## PRODUCT CODE

For complete product code, list basic unit and select one item from each following box.

Basic Unit .....	FR-XTS-AA
Internal Reflector <i>Choose one.</i>	
14° initial beamspread .....	- 14D
24° initial beamspread .....	- 24D
Driver	
dimmable to 1% by a 0-10V dimmer on 120 or 277-volt service .....	- DMV
dimmable to 5% or 10% (see Light Output box below) by either an incandescent or ELV dimmer; 120-volt service only .....	- DMP
dimmable to 1% by a 2-wire Lutron compatible dimmer .....	- DMILU
dimmable to 1% SoftOn/FadeToBlack by a Lutron EcoSystem control; <b>not</b> available with <b>L07S, L07V, L10A, L13S or L13V</b> models .....	- ECO-LU
eldLED 0-10V (Logarithmic) driver dimmable to 0.1% with a 0-10V dimmer on 120 or 277-volt service .....	- DVOELG
eldLED 0-10V (Linear) driver dimmable to 0.1% with a 0-10V dimmer on 120 or 277-volt service .....	- DVOELN
eldLED driver dimmable to 0.1%, compatible with DALI control system .....	- DAO-EL
Moons' driver dimmable to 0.1%, compatible with DMX controllers .....	- DXO
Light Source Output (Lumens)	
700L / CRI 98 Artist .....	DMP (5%) ...-L07A
700L / CRI 80+ .....	DMP (10%) ...-L07S
700L / CRI 80+ Vibrant .....	3000K only ...-L07V
1000L / CRI 98 Artist .....	see SPACING ...-L10A
1000L / CRI 80+ .....	DMP (5%) ...-L10S
1000L / CRI 80+ Vibrant .....	3000K only ...-L10V
1300L / CRI 80+ .....	see SPACING ...-L13S
1300L / CRI 80+ Vibrant .....	see SPACING ... 3000K only ...-L13V
Light Color	
2700 K .....	- 27K
3000 K .....	- 30K
3500 K .....	- 35K
4000 K .....	- 40K
External Reflector Color and Trim	
Semi-specular Clear .....	Overlap: EE-COL Trim Flush*: EE-CTF
Slightly diffuse Clear .....	Overlap: EE-VOL Trim Flush*: EE-VTF
Fully diffuse Clear .....	Overlap: EE-ECOL Trim Flush*: EE-ECTF
Black .....	Overlap: EE-BOL Trim Flush*: EE-BTF
White .....	Overlap: EE-WOL Trim Flush*: EE-WTF
Standard reflector flange continues reflector finish. White painted flanges and custom painted flanges are available on special order. Add WF (white flange) or CCF (custom color flange).	
*Trim Flush reflector requires the use of a <b>plaster ring</b> Accessory (see below).	
▶ Reflectors detailed for metal or wood ceilings available on special order.	
A <b>LightPlate</b> may be ordered instead of the standard reflectors above.	
LightPlate <b>Downlight Spot</b> , white .....	DP-OL DP-TF
LightPlate <b>Accent Spot</b> , white .....	AP-OL AP-TF
LightPlate <b>Accent Slot</b> , white .....	AL-OL AL-TF
Custom painted trims for LightPlate are available on special order. Add -CC	

## OPTIONS Specify by adding to the basic unit.

0° cut <b>downlight reflector</b> .....	- 0
<b>Millwork trim detail</b> consists of an aperture collar (see below) and a Trim Flush (TF) external reflector (see above). <i>Note: a Plaster Ring is <b>not</b> required.</i>	
milled aluminum aperture collar .....	- M
white aperture collar .....	- MWH
black aperture collar .....	- MBL
custom color aperture collar .....	- MCC
<b>Remote emergency battery pack</b> including two components – battery pack and plate with test switch and light – to be mounted adjacent to luminaire; for use in accessible ceilings .....	
	- RX

## EXTRA REFLECTORS Specify as separate line items.

14° internal reflector .....	-XTM-REF14-50
24° internal reflector .....	-XTM-REF24-50

## ACCESSORIES Specify as a separate line item.

<b>Plaster ring</b> allows use of 4 7/8" OD Trim Flush (TF) reflector in sheetrock ceiling; 5 3/16" dia hole required .....	-TF RING/4
---	------------

## OPTICAL ACCESSORIES *Specify as separate line*

All are 2 3/4" (70mm) diameter.

<b>diffuse glass</b> .....	DGS/2.75
<b>prismatic lens (Solite)</b> .....	PLS/2.75
<b>55° spread lens</b> .....	LENS/2.75
<b>40° x 70° spread lens</b> .....	LENS/2.75-4070
<b>beam smoother</b> ..... (included with fixture).....	DIF05/2.75
<b>33% light reduction screen</b> .....	SCR33/2.75
<b>50% light reduction screen</b> .....	SCR50/2.75

### color filters

surprise pink .....	PNK/2.75
daylight blue.....	DAY/2.75
blue .....	BLU/2.75
green .....	GRN/2.75
red .....	RED/2.75

### Downlight Reflectors

*Overlap*

*Trim Flush*

Semi-specular Clear .....	REF-FR-AA-EE-0-COL .....	REF-FR-AA-EE-0-CTF
Slightly diffuse Clear .....	REF-FR-AA-EE-0-VOL.....	REF-FR-AA-EE-0-VTF
Fully diffuse Clear .....	REF-FR-AA-EE-0-ECOL .....	REF-FR-AA-EE-0-ECTF
Black.....	REF-FR-AA-EE-0-BOL.....	REF-FR-AA-EE-0-BTF
White.....	REF-FR-AA-EE-0-WOL.....	REF-FR-AA-EE-0-WTF

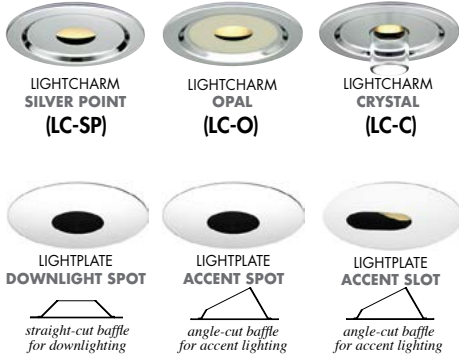
### Downlight Conversion

Convert to a downlight in the field. Tilt the heatsink assembly to the vertical then shift it to the center of the aperture. Replace angle-cut reflector with 0°-cut **Downlight Reflector** (see OPTIONS).

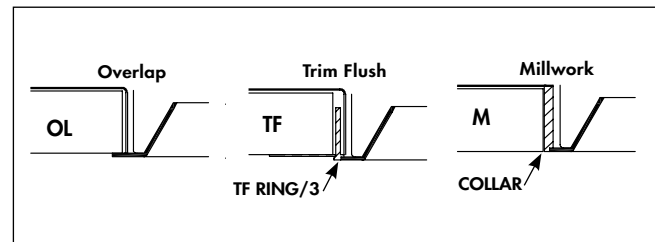


## LIGHTCHARMS & LIGHTPLATES

LightCharms and LightPlates may be used instead of standard reflectors.



## EXTERNAL REFLECTOR TRIMS



See below for photometric reports



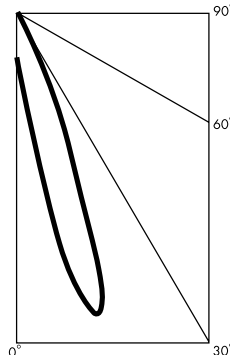
## PHOTOMETRIC REPORT with 14° reflector (tested per IESNA LM-79-2008)

Verification Services Report No. 1177575. Original test report furnished upon request.

Luminaire ..... recessed LED round accent light with semi-specular clear aluminum reflector, LED aimed at 15° above vertical  
 Light Source ..... one white Xicato XTM 9mm LES LED with 14° beam spread integral reflector, 3000K CCT, 80 CRI, 1300 lumens

### CANDLEPOWER DISTRIBUTION (Candela)

Vertical Angle	Horizontal Angle				
	0	45	90	135	180
0	1159	1159	1159	1159	1159
5	2534	1738	1051	725	654
15	8905	2173	618	323	128
25	1989	867	175	7	4
35	525	133	5	3	2
45	4	4	3	2	0
55	1	1	2	2	1
65	0	2	2	1	0
75	0	2	1	0	0
85	0	1	0	0	0
90	0	0	0	0	0



### LUMINAIRE LIGHT OUTPUT AND EFFICACY

	Luminaire Light Output	Luminaire CBCP	Luminaire Efficacy (lms/watt)	System Wattage	RX Light Output (90 min. run)
LED Light Engine					
700 Lumens Artist	515*	4907*	31*	15	188*
1000 Lumens Artist	671*	6392*	33*	19	188*
700 Lumens standard & Vibrant	535*	5097*	48*	10	281*
1000 Lumens standard & Vibrant	710*	6765*	43*	15	281*
1300 Lumens standard & Vibrant	938	8935	46	19	281*

\*estimated values

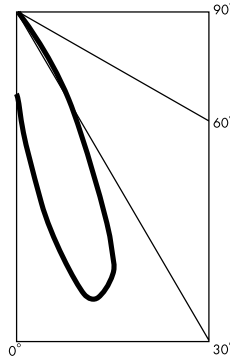
## PHOTOMETRIC REPORT with 24° reflector (tested per IESNA LM-79-2008)

Verification Services Report No. 1177577. Original test report furnished upon request.

Luminaire ..... recessed LED round accent light with semi-specular clear aluminum reflector, LED aimed at 15° above vertical  
 Light Source ..... one white Xicato XTM 9mm LES LED with 24° beam spread integral reflector, 3000K CCT, 80 CRI, 1300 lumens

### CANDLEPOWER DISTRIBUTION (Candela)

Vertical Angle	Horizontal Angle				
	0	45	90	135	180
0	1261	1261	1261	1261	1261
5	2282	1807	1136	740	645
15	4726	2007	592	224	87
25	2939	968	128	6	3
35	762	146	5	2	1
45	14	4	1	1	1
55	0	0	0	0	0
65	0	0	0	0	0
75	0	0	0	0	0
85	0	0	0	0	0
90	0	0	0	0	0



### LUMINAIRE LIGHT OUTPUT AND EFFICACY

	Luminaire Light Output	Luminaire CBCP	Luminaire Efficacy (lms/watt)	System Wattage	RX Light Output (90 min. run)
LED Light Engine					
700 Lumens Artist	465*	2628*	31*	15	173*
1000 Lumens Artist	618*	3423*	33*	19	173*
700 Lumens standard & Vibrant	493*	2730*	48*	10	259*
1000 Lumens standard & Vibrant	654*	3623*	43*	15	259*
1300 Lumens standard & Vibrant	864	4785	46	19	259*

\*estimated values

### STANDARD DMV DRIVER INFORMATION (UL Class 2, dry and damp location)

Voltage	120	277
Input Watts (I07A/L10A/I07S&V/L10S&V/L13S&V)	15/19/10/15/19	15/19/10/15/19
Input Current (A) (I07A/L10A/I07S&V/L10S&V/L13S&V)	.13/.16/.08/.13/.16	.05/.07/.04/.05/.07
Output Current (mA)	350-700	350-700
Min. Power Factor	.99	.99
Operating Temperature Range (F)	-13 to 122	-13 to 122

### LIGHT OUTPUT MULTIPLIER

LED Light Engine	Light Output Multiplier	RX Light Output Multiplier
700 Lumens Artist	.55*	.20*
1000 Lumens Artist	.72*	.20*
700 Lumens standard & Vibrant	.57*	.30*
1000 Lumens standard & Vibrant	.76*	.30*
1300 Lumens standard & Vibrant	1	.30*

\*estimated values

### REFLECTOR COLOR MULTIPLIERS

Semi-specular clear (C)	1
Slightly diffuse clear (V)	.95
Fully diffuse clear (EC)	.88
Champagne gold clear (G)	.95
Black (B)	.49