

Project

Date

Product Code

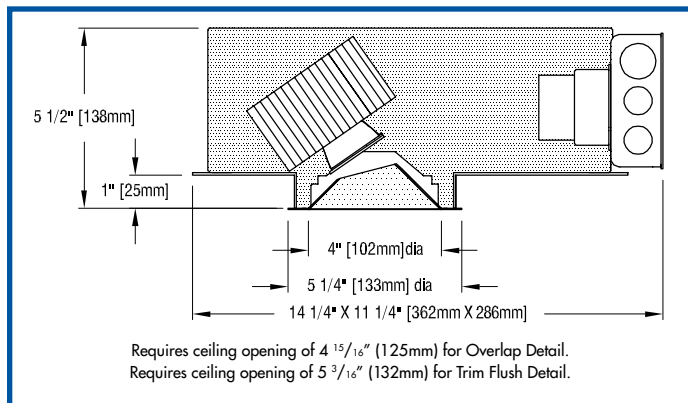
Type

Designer



# FOUR NSP AA ES recessed LED narrow spot accent light

FULLY SUSTAINABLE - FULLY SUSTAINABLE - FULLY SUSTAINABLE - FULLY SUSTAINABLE - FULLY SUSTAINABLE - FULLY SUSTAINABLE - FULLY SUSTAINABLE

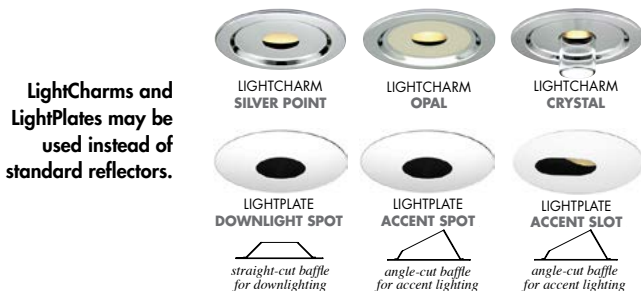


- **FOUR NSP AA ES is a 4" aperture, enhanced shielding (ES), LED narrow spot accent light.** Luminaire is powered by one of a number of Xicato XTM (9mm) LED modules. See tables below for wattages and efficacies. Luminaire may be ordered with one of a number of drivers.
- **Luminaire provides 362° horizontal rotation and 0°-35° angular adjustment.** Once focused, adjustment is locked by a thumb screw and wing nut.
- **Luminaire employs an internal 'twist and lock' reflector** to produce an initial beamspread of 14° or 24°. To allow beamspread to be changed in installed luminaires, internal reflectors are available as accessories.
- **Luminaire includes a complimentary Beam Smoother** which may be replaced by one or two **Optical Accessories** including lenses and screens.
- **External reflectors, cut at 15° with minimal top aperture and deep shielding angle,** are available in natural aluminum finishes – semi-specular (C), slightly diffuse (V) or fully diffuse (EC) – as well as black Alzak® and specular white enamel. Other finishes are available on special order. A LightPlate may be used instead of an external reflector.
- **LightCharms® or LightPlate™ decorative trims** may be ordered instead of standard reflectors.
- **Luminaire may be converted to a downlight in the field** by re-setting the angular adjustment yoke and replacing the standard external reflector with an optional 0° cut reflector.
- **Luminaire includes a pair of mounting bars** (3/4" x 27" C channel). Specialty bars for wood and T-bar installations are also available.
- **For more information, [click here.](#)**

## APPLICATIONS

Luminaire is listed as an inherently protected luminaire for Damp Location. Luminaire is RoHA compliant, is suitable for use in a fire rated ceiling and is approved for ten #12 wire 90° C branch circuit wiring. Removal of the external reflector allows access to the LED module and junction box.

## LIGHTCHARMS & LIGHTPLATES



For a version of this luminaire designed to provide less shielding of the light source and greater efficacy, see [FOUR NSP AA EE](#).

**SPACING** – Three models – L10A, L13S and L13V – must be spaced 30" apart and 15" from walls with 1/2" clearance above housing.

## PRODUCT CODE

For complete product code, list basic unit and select one item from each following box.

Basic Unit.....	FR-XTS-AA
Internal Reflector <i>Choose one.</i>	
14° initial beamspread .....	14D
24° initial beamspread .....	24D
Driver	
dimmable to 1% by a 0-10V dimmer on 120 or 277-volt service .....	DMV
dimmable to 5% or 10% (see Light Output box below) by either an incandescent or ELV dimmer; 120-volt service only .....	DMP
dimmable to 1% by a 2-wire Lutron compatible dimmer .....	DMILU
dimmable to 1% SoftOn/FadeToBlack by a Lutron EcoSystem control; <b>not</b> available with <b>L07S, L07V, L10A, L13S or L13V</b> models .....	ECO-LU
eldLED 0-10V (Logarithmic) driver dimmable to 0.1% with a 0-10V dimmer on 120 or 277-volt service .....	DV0ELG
eldLED 0-10V (Linear) driver dimmable to 0.1% with a 0-10V dimmer on 120 or 277-volt service .....	DV0ELN
eldLED driver dimmable to 0.1%, compatible with DALI control system .....	DA0-EL
Moons' driver dimmable to 0.1%, compatible with DMX controllers .....	DX0

Light Source Output (Lumens)	
700L / CRI 98 Artist .....	DMP (5%) ...- L07A
700L / CRI 80+ .....	DMP (10%) ...- L07S
700L / CRI 80+ Vibrant .....	3000K only ... DMP (10%) ...- L07V
1000L / CRI 98 Artist .....	see SPACING .....
1000L / CRI 80+ .....	DMP (5%) ...- L10A
1000L / CRI 80+ Vibrant .....	3000K only ... DMP (5%) ...- L10S
1300L / CRI 80+ .....	see SPACING .....
1300L / CRI 80+ Vibrant .....	3000K only ... DMP (5%) ...- L13S
1300L / CRI 80+ Vibrant .....	see SPACING ... 3000K only ... DMP (5%) ...- L13V

Light Color	
2700 K.....	27K
3000 K.....	30K
3500 K.....	35K
4000 K.....	40K

External Reflector Color and Trim	Overlap	Trim Flush*
Semi-specular Clear.....	ES-COL .....	ES-CTF
Slightly diffuse Clear.....	ES-VOL .....	ES-VTF
Fully diffuse Clear.....	ES-ECOL .....	ES-ECTF
Black .....	ES-BOL .....	ES-BTF
White .....	ES-WOL .....	ES-WTF

Standard reflector flange continues reflector finish. White painted flanges and custom painted flanges are available on special order. Add WF (white flange) or CCF (custom color flange).

\*Trim Flush reflector requires the use of a plaster ring Accessory (see below).  
▶ Reflectors detailed for metal or wood ceilings available on special order.  
LightCharms or LightPlate may be ordered instead of the standard reflectors above.

LightCharm <b>Silver Point</b> .....	LC-SP
LightCharm <b>Opal</b> .....	LC-O
LightCharm <b>Crystal</b> .....	LC-C
LightPlate <b>Downlight Spot</b> , white .....	DP-OL .....
LightPlate <b>Accent Spot</b> , white .....	AP-OL .....
LightPlate <b>Accent Slot</b> , white .....	AL-OL .....

Custom painted trims for LightPlate are available on special order. Add -CC

## OPTIONS Specify by adding to the basic unit.

0° cut <b>downlight reflector</b> .....	0
<b>Remote emergency battery pack</b> including two components – battery pack and plate with test switch and light – to be mounted adjacent to luminaire; for use in accessible ceilings .....	– RX

## EXTRA REFLECTORS Specify as separate line items.

14° internal reflector .....	XTM-REF14-50
24° internal reflector.....	XTM-REF24-50

## ACCESSORIES Specify as a separate line item.

<b>Plaster ring</b> allows use of 4 7/8" OD Trim Flush (-TF) reflector in sheetrock ceiling; 5 3/16" dia hole required .....	TF RING/4
--	-----------



## OPTICAL ACCESSORIES *Specify as separate line*

All are 2 3/4" (70mm) diameter. Lenses and filters are glass; screens are aluminum.

<b>diffuse glass</b> .....	DGS/2.75
<b>prismatic lens (Solite)</b> .....	PLS/2.75
<b>55° spread lens</b> .....	LENS/2.75
<b>40° x 70° spread lens</b> .....	LENS/2.75-4070
<b>beam smoother</b> .....	(included with fixture)..... CLR/2.75
<b>33% light reduction screen</b> .....	SCR33/2.75
<b>50% light reduction screen</b> .....	SCR50/2.75

### color filters

surprise pink .....	PNK/2.75
daylight blue.....	DAY/2.75
amber .....	AMB/2.75
blue .....	BLU/2.75
green .....	GRN/2.75
red .....	RED/2.75

### Downlight Reflectors

#### Overlap

#### Trim Flush

Semi-specular Clear .....	REF-FR-AA-ES-0-COL .....	REF-FR-AA-ES-0-CTF
Slightly diffuse Clear .....	REF-FR-AA-ES-0-VOL.....	REF-FR-AA-ES-0-VTF
Fully diffuse Clear .....	REF-FR-AA-ES-0-ECOL.....	REF-FR-AA-ES-0-ECTF
Black.....	REF-FR-AA-ES-0-BOL.....	REF-FR-AA-ES-0-BTF
White.....	REF-FR-AA-ES-0-WOL .....	REF-FR-AA-ES-0-WTF

### Downlight Conversion

Convert to a downlight in the field. Tilt the heatsink assembly to the vertical then shift it to the center of the aperture. Replace angle-cut reflector with 0°-cut **Downlight Reflector** (see OPTIONS).



See below for photometric reports



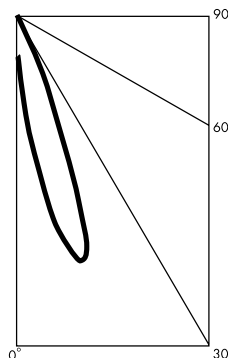
## PHOTOMETRIC REPORT with 14° reflector (tested per IESNA LM-79-2008)

Verification Services Report No. 1177576. Original test report furnished upon request.

Luminaire ..... recessed LED round accent light with semi-specular clear aluminum reflector, LED aimed at 15° above vertical  
 Light Source ..... one white Xicato XTM 9mm LES LED with 14° beam spread integral reflector, 3000K CCT, 80 CRI, 1300 lumens

### CANDLEPOWER DISTRIBUTION (Candela)

Vertical Angle	Horizontal Angle				
	0	45	90	135	180
0	934	934	934	934	934
5	2242	1544	799	498	387
15	6317	1892	222	18	7
25	1335	357	13	4	2
35	85	16	3	1	1
45	3	2	1	1	1
55	0	1	0	0	0
65	0	0	1	0	0
75	0	0	0	0	0
85	0	0	0	0	0
90	0	0	0	0	0



### LUMINAIRE LIGHT OUTPUT AND EFFICACY

LED Light Engine	Luminaire Light Output	Luminaire CBCP	Luminaire Efficacy (lms/watt)	System Wattage	RX Light Output (90 min. run)
700 Lumens Artist	325*	3596*	21*	15	118*
1000 Lumens Artist	424*	4684*	22*	19	118*
700 Lumens standard & Vibrant	338*	3735*	33*	10	178*
1000 Lumens standard & Vibrant	448*	4958*	30*	15	178*
1300 Lumens standard & Vibrant	592	6548	32	19	178*

\*estimated values

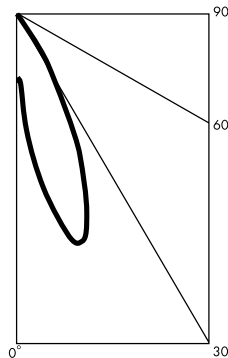
## PHOTOMETRIC REPORT with 24° reflector (tested per IESNA LM-79-2008)

Verification Services Report No. 1177578. Original test report furnished upon request.

Luminaire ..... recessed LED round accent light with semi-specular clear aluminum reflector, LED aimed at 15° above vertical  
 Light Source ..... one white Xicato XTM 9mm LES LED with 24° beam spread integral reflector, 3000K CCT, 80 CRI, 1300 lumens

### CANDLEPOWER DISTRIBUTION (Candela)

Vertical Angle	Horizontal Angle				
	0	45	90	135	180
0	1067	1067	1067	1067	1067
5	2154	1644	956	613	477
15	3998	1686	299	27	14
25	2038	553	19	4	2
35	295	36	3	1	1
45	14	4	1	0	0
55	0	1	0	0	0
65	0	0	0	0	0
75	0	0	0	0	0
85	0	0	0	0	0
90	0	0	0	0	0



### LUMINAIRE LIGHT OUTPUT AND EFFICACY

LED Light Engine	Luminaire Light Output	Luminaire CBCP	Luminaire Efficacy (lms/watt)	System Wattage	RX Light Output (90 min. run)
700 Lumens Artist	325*	2197*	21*	15	118*
1000 Lumens Artist	423*	2862*	22*	19	118*
700 Lumens standard & Vibrant	337*	2282*	33*	10	177*
1000 Lumens standard & Vibrant	447*	3029*	30*	15	177*
1300 Lumens standard & Vibrant	591	4000	31	19	177*

\*estimated values

### STANDARD DMV DRIVER INFORMATION (UL Class 2, dry and damp location)

Voltage	120	277
Input Watts (I07A/L10A/I07S&V/L10S&V/L13S&V)	15/19/10/15/19	15/19/10/15/19
Input Current (A) (I07A/L10A/I07S&V/L10S&V/L13S&V)	.13/.16/.08/.13/.16	.05/.07/.04/.05/.07
Output Current (mA)	350-700	350-700
Min. Power Factor	.99	.99
Operating Temperature Range (F)	-13 to 122	-13 to 122

### LIGHT OUTPUT MULTIPLIER

LED Light Engine	Light Output Multiplier	RX Light Output Multiplier
700 Lumens Artist	.55*	.20*
1000 Lumens Artist	.72*	.20*
700 Lumens standard & Vibrant	.57*	.30*
1000 Lumens standard & Vibrant	.76*	.30*
1300 Lumens standard & Vibrant	1	.30*

\*estimated values

### REFLECTOR COLOR MULTIPLIERS

Semi-specular clear (C)	1
Slightly diffuse clear (V)	.95
Fully diffuse clear (EC)	.88
Champagne gold clear (G)	.95
Black (B)	.49