

Project

Type



MADE IN USA

[Click Here](#)

Date

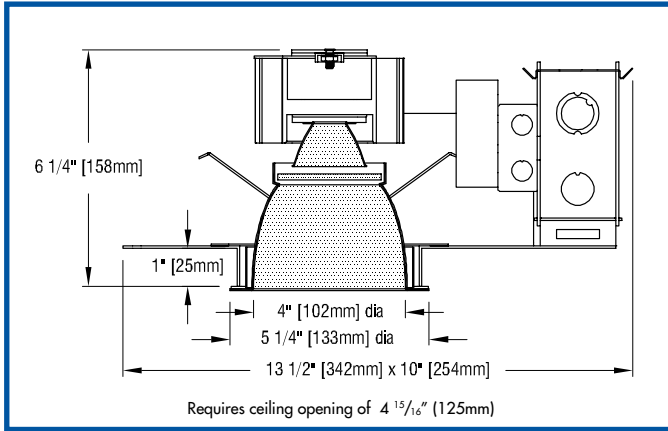
Product Code

Designer

WET LOCATION XTM/4

recessed LED wet location downlight

WET LOCATION - OUTDOOR APPLICATION - WET LOCATION - OUTDOOR APPLICATION - WET LOCATION - OUTDOOR APPLICATION - WET LOCATION



FEATURES

- **Wet Location XTM/4 is a wet location LED downlight.** Luminaire is powered by one of a number of Xicato 19mm XTM LED modules, distinguished by extraordinary color consistency (within 1x2-step MacAdam ellipse). See tables below for wattages and efficacies. Luminaire may be ordered with one of a number of drivers.
- **Precise reflector design minimizes aperture brightness** with a shielding angle of 40°.
- **Reflector mounts a 5/32" thick plastic prismatic lens** which protects the lamp from a direct spray of water. Reflector assembly is attached to the fixture housing with positive torsion springs that pull the reflector flange tight to the ceiling.
- **External reflector is available in three clear natural aluminum finishes** — semi-specular (C), slightly diffuse (V) or fully diffuse (EC) — as well as champagne gold, white and black. Other reflector finishes are available on special order.
- **Housing is constructed from 14-gauge and 16-gauge electro-zinc steel** in Edison Price Lighting's American factory. Heavy-gauge metals, an additional protective coating, and American manufacturing guarantee long-lasting durability.
- **Luminaire includes a pair of mounting bars** (3/4" x 27" C channel). Specialty bars for wood joist and T-bar installations are also available.
- **For more information, [click here](#).**

APPLICATIONS

Fixture is recommended for use in showers, locker rooms, natatoriums and other spaces where the apertures of recessed downlights may be subject to a direct spray of water.

Fixture is listed for Wet Location with a covered ceiling only. Fixture is prewired with thermal protector, approved for ten #12 wire 90° branch circuit pull-through wiring. All fixtures are RoHS compliant. Removal of the reflector allows access to the junction box.



For lower pricing, see [Wet Location VALUE/4](#), [Wet Location FTF/4](#), or [Wet Location CZS/4](#).

PRODUCT CODE

For complete product code, list basic unit and select one item from each following box.

| | |
|-------------------------------------|--------------------------------------|
| Basic Unit | SHW-XTM-4DL |
| Light Output (Lumens) | |
| 700 lumens / CRI 98 Artist | DMP driver not available - L07A |
| 1000 lumens / CRI 98 Artist | - L10A |
| 1000 lumens / CRI 80+ | - L10S |
| 1000 lumens / CRI 80+ Vibrant | 3000K only - L10V |
| 1300 lumens / CRI 98 Artist | - L13A |
| 1300 lumens / CRI 80+ | - L13S |
| 1300 lumens / CRI 80+ Vibrant | 3000K only - L13V |
| 1600 lumens / CRI 98 Artist | - L16A |
| 1600 lumens / CRI 80+ | - L16S |
| 1600 lumens / CRI 80+ Vibrant | 3000K only - L16V |
| 2000 lumens / CRI 80+ | - L20S |
| 2000 lumens / CRI 80+ Vibrant | 3000K only - L20V |

| | |
|---|----------|
| Driver | |
| dimmable to 1% with a 0-10V dimmer; suitable for either 120 or 277-volt service | - DMV |
| dimmable to 5% with either electronic low voltage (ELV) or incandescent dimmer on 120-volt only; not available with 700 lumen source (L07A) | - DMP |
| eldoLED 0-10V (Logarithmic) driver dimmable to 0.1% with a 0-10V dimmer on 120 or 277-volt service | - DVOELG |
| eldoLED 0-10V (Linear) driver dimmable to 0.1% with a 0-10V dimmer on 120 or 277-volt service | - DVOELN |
| eldoLED driver dimmable to 0.1% compatible with Dali control system | - DA0EL |

| | |
|------------------------|-------|
| Voltage | |
| 120 volt service | - 120 |
| 277 volt service | - 277 |

| | |
|---------------------------|----------|
| Light Engine Color | |
| 2700K..... | - 27K54D |
| 3000K..... | - 30K54D |
| 3500K..... | - 35K54D |
| 4000K..... | - 40K54D |

| | |
|---|--------|
| Reflector Color and Detail | |
| Semi specular Clear | - COL |
| Slightly diffuse Clear..... | - VOL |
| Fully diffuse Clear..... | - ECOL |
| Champagne Gold | - GOL |
| White | - WOL |
| Black | - BOL |
| Other reflector finishes available on special order. | |
| Overlap Flange continues reflector finish. White painted flanges and custom painted flanges are available on special order. Add WF (white flange) or CCF (custom color flange). | |

For installations in steam rooms, see [SteamRoom XTM/4](#)

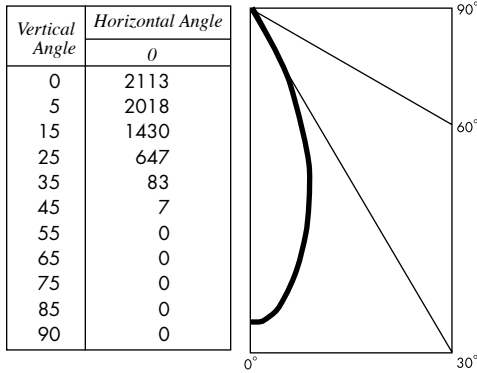


PHOTOMETRIC REPORT (tested per IESNA LM-79-2008)

Prorated from Report No. 192370. Original Verification Services test reports furnished upon request.

Luminaire recessed LED round shower light with aluminum reflector
 Lamp Xicato 19mm XTM LED, 3000K CCT, 2000 lumens, 80 CRI
 Lamp Life rated 50,000 hours based on L70/B50 criteria. LM80 report by LED manufacturer furnished upon request
 Spacing Criteria 0.7

CANDLEPOWER DISTRIBUTION



LUMINAIRE LIGHT OUTPUT AND EFFICACY

| LED Module Type | Luminaire Light Output | Luminaire Efficacy (lms/watt) | System Wattage |
|--------------------------------|------------------------|-------------------------------|----------------|
| 700 Lumens Artist | 438* | 36* | 12 |
| 1000 Lumens Artist | 581* | 35* | 17 |
| 1300 Lumens Artist | 767* | 36* | 21 |
| 1600 Lumens Artist | 933* | 43* | 22 |
| 1000 Lumens standard & Vibrant | 587* | 47* | 12 |
| 1300 Lumens standard & Vibrant | 783* | 47* | 17 |
| 1600 Lumens standard & Vibrant | 945* | 49* | 19 |
| 2000 Lumens standard & Vibrant | 1198* | 55* | 22 |

*estimated values

ZONAL LUMEN SUMMARY

| Zone | Lumens | % Fixture |
|----------|--------|-----------|
| 0 - 30° | 872 | 92.3 |
| 0 - 40° | 937 | 99.1 |
| 0 - 60° | 945 | 100.0 |
| 0 - 90° | 945 | 100.0 |
| 90 -180° | 0 | 0.0 |
| 0 -180° | 945 | 100.0 |

STANDARD DMV DRIVER INFORMATION

(UL Class 2, dry and damp location)

| Voltage | 120 | 277 |
|--|--------------------------------|----------------------------|
| Input Watts (L07A/L10A/L13A/L16A/L10S&V/L13S&V/L16S&V/L20S&V) | 12/17/21/22/12/17/19/22 | 12/17/21/22/12/17/19/22 |
| Input Current(A) (L07A/L10A/L13A/L16A/L10S&V/L13S&V/L16S&V/L20S&V) | .10/.14/.18/.18/10/.14/.16/.18 | .04/.06/.08/08/04/06/07/08 |
| Output Current (mA) | 350-700 | 350-700 |
| Min. Power Factor | .99 | .99 |
| Operating Temperature Range (F) | -13 to 122 | -13 to 122 |

LIGHT OUTPUT MULTIPLIER

| LED Module Type | Light Output Multiplier |
|--------------------------------|-------------------------|
| 700 Lumens Artist | .37* |
| 1000 Lumens Artist | .48* |
| 1300 Lumens Artist | .64* |
| 1600 Lumens Artist | .78* |
| 1000 Lumens standard & Vibrant | .49* |
| 1300 Lumens standard & Vibrant | .65* |
| 1600 Lumens standard & Vibrant | .79* |
| 2000 Lumens standard & Vibrant | 1 |

COLOR MULTIPLIERS

| | |
|----------------------------|-----|
| Semi-specular Clear (C) | 1 |
| Slightly diffuse clear (V) | .95 |
| Fully diffuse clear (EC) | .88 |
| Champagne gold clear(G) | .95 |
| Black (B) | .49 |

LUMINANCE DATA

| Vertical Angle | Candelam ² |
|----------------|-----------------------|
| 45 | 1217 |
| 55 | 61 |
| 65 | 28 |
| 75 | 0 |
| 85 | 0 |