

Project

Type



MADE IN USA

[Click Here](#)

Date

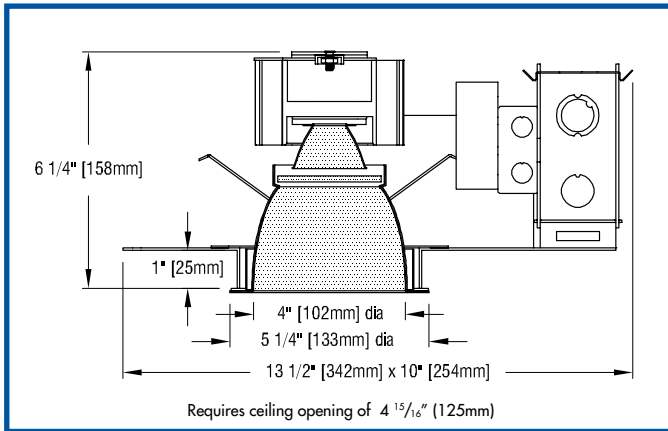
Product Code

Designer

WET LOCTION XTM/4

recessed LED wet location downlight

WET LOCATION - OUTDOOR APPLICATION - WET LOCATION - OUTDOOR APPLICATION - WET LOCATION - OUTDOOR APPLICATION - WET LOCATION



PRODUCT CODE

For complete product code, list basic unit and select one item from each following box.

Basic Unit	SHW-XTM-4DL
Light Output (Lumens)	
700 lumens / CRI 98 Artist	DMP driver not available - L07A
1000 lumens / CRI 98 Artist	- L10A
1000 lumens / CRI 80+	- L10S
1000 lumens / CRI 80+ Vibrant	3000K only - L10V
1300 lumens / CRI 98 Artist	- L13A
1300 lumens / CRI 80+	- L13S
1300 lumens / CRI 80+ Vibrant	3000K only - L13V
1600 lumens / CRI 98 Artist	- L16A
1600 lumens / CRI 80+	- L16S
1600 lumens / CRI 80+ Vibrant	3000K only - L16V
2000 lumens / CRI 80+	- L20S
2000 lumens / CRI 80+ Vibrant	3000K only - L20V

FEATURES

- **Wet Location XTM/4 is a wet location LED downlight.** Luminaire is powered by one of a number of Xicato 19mm XTM LED modules, distinguished by extraordinary color consistency (within 1x2-step MacAdam ellipse). See tables below for wattages and efficacies. Luminaire may be ordered with one of a number of drivers.
- **Precise reflector design minimizes aperture brightness** with a shielding angle of 40°.
- **Reflector mounts a 5/32" thick plastic prismatic lens** which protects the lamp from a direct spray of water. Reflector assembly is attached to the fixture housing with positive torsion springs that pull the reflector flange tight to the ceiling.
- **External reflector is available in three clear natural aluminum finishes** — semi-specular (C), slightly diffuse (V) or fully diffuse (EC) — as well as champagne gold, white and black. Other reflector finishes are available on special order.
- **Luminaire includes a pair of mounting bars** (3/4" x 27" C channel). Specialty bars for wood joist and T-bar installations are also available.
- **For more information, [click here](#).**

Driver	
dimmable to 1% with a 0-10V dimmer; suitable for either 120 or 277-volt service	- DMV
dimmable to 5% with either electronic low voltage (ELV) or incandescent dimmer on 120-volt only; not available with 700 lumen source (L07A)	- DMP
eldoLED 0-10V (Logarithmic) driver dimmable to 0.01% with a 0-10V dimmer on 120 or 277-volt service	- DVOELG
eldoLED 0-10V (Linear) driver dimmable to 0.01% with a 0-10V dimmer on 120 or 277-volt service	- DVOELN
eldoLED driver dimmable to 0.01% compatible with Dali control system	- DA0EL

Voltage	
120 volt service	- 120
277 volt service	- 277

Light Engine Color	
2700K.....	- 27K54D
3000K.....	- 30K54D
3500K.....	- 35K54D
4000K.....	- 40K54D

Reflector Color and Detail	
Semi specular Clear	- COL
Slightly diffuse Clear.....	- VOL
Fully diffuse Clear.....	- ECOL
Champagne Gold	- GOL
White	- WOL
Black	- BOL
Other reflector finishes available on special order.	
Overlap Flange continues reflector finish. White painted flanges and custom painted flanges are available on special order. Add WF (white flange) or CCF (custom color flange).	

APPLICATIONS

Fixture is recommended for use in showers, locker rooms, natatoriums and other spaces where the apertures of recessed downlights may be subject to a direct spray of water.

Fixture is listed for Wet Location with a covered ceiling only. Fixture is prewired with thermal protector, approved for ten #12 wire 90° branch circuit pull-through wiring. All fixtures are RoHS compliant. Removal of the reflector allows access to the junction box.



For installations in steam rooms, see [SteamRoom XTM/4](#)

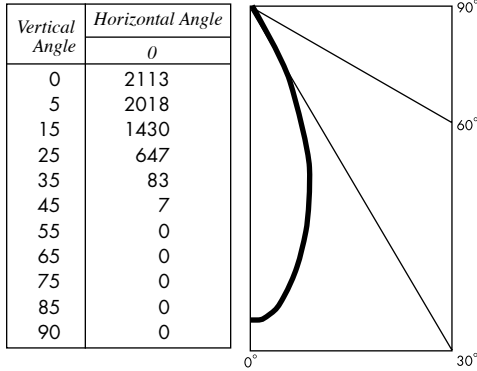


PHOTOMETRIC REPORT (tested per IESNA LM-79-2008)

Prorated from Report No. 192370. Original Verification Services test reports furnished upon request.

Luminaire recessed LED round shower light with aluminum reflector
 Lamp Xicato 19mm XTM LED, 3000K CCT, 2000 lumens, 80 CRI
 Lamp Life rated 50,000 hours based on L70/B50 criteria. LM80 report by LED manufacturer furnished upon request
 Spacing Criteria 0.7

CANDLEPOWER DISTRIBUTION



LUMINAIRE LIGHT OUTPUT AND EFFICACY

LED Module Type	Luminaire Light Output	Luminaire Efficacy (lms/watt)	System Wattage
700 Lumens Artist	438*	36*	12
1000 Lumens Artist	581*	35*	17
1300 Lumens Artist	767*	36*	21
1600 Lumens Artist	933*	43*	22
1000 Lumens standard & Vibrant	587*	47*	12
1300 Lumens standard & Vibrant	783*	47*	17
1600 Lumens standard & Vibrant	945*	49*	19
2000 Lumens standard & Vibrant	1198*	55*	22

*estimated values

ZONAL LUMEN SUMMARY

Zone	Lumens	% Fixture
0 - 30°	872	92.3
0 - 40°	937	99.1
0 - 60°	945	100.0
0 - 90°	945	100.0
90 -180°	0	0.0
0 -180°	945	100.0

STANDARD DMV DRIVER INFORMATION

(UL Class 2, dry and damp location)

Voltage	120	277
Input Watts (L07A/L10A/L13A/L16A/L10S&V/L13S&V/L16S&V/L20S&V)	12/17/21/22/12/17/19/22	12/17/21/22/12/17/19/22
Input Current(A) (L07A/L10A/L13A/L16A/L10S&V/L13S&V/L16S&V/L20S&V)	.10/.14/.18/.18/10/.14/.16/.18	.04/.06/.08/08/04/06/07/08
Output Current (mA)	350-700	350-700
Min. Power Factor	.99	.99
Operating Temperature Range (F)	-13 to 122	-13 to 122

LIGHT OUTPUT MULTIPLIER

LED Module Type	Light Output Multiplier
700 Lumens Artist	.37*
1000 Lumens Artist	.48*
1300 Lumens Artist	.64*
1600 Lumens Artist	.78*
1000 Lumens standard & Vibrant	.49*
1300 Lumens standard & Vibrant	.65*
1600 Lumens standard & Vibrant	.79*
2000 Lumens standard & Vibrant	1

COLOR MULTIPLIERS

Semi-specular Clear (C)	1
Slightly diffuse clear (V)	.95
Fully diffuse clear (EC)	.88
Champagne gold clear(G)	.95
Black (B)	.49

LUMINANCE DATA

Vertical Angle	Candelam ²
45	1217
55	61
65	28
75	0
85	0