

Project

Type



Date

Product Code

Designer

WET LOCATION ValueSpec/4

recessed LED wet location downlight

MOST AFFORDABLE - MOST AFFORDABLE - MOST AFFORDABLE - MOST AFFORDABLE - MOST AFFORDABLE

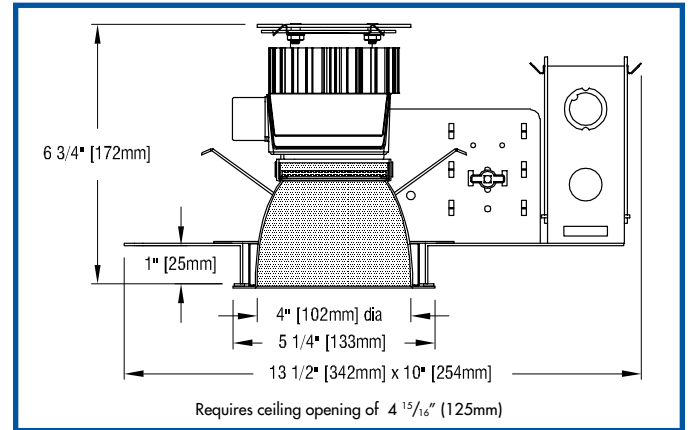
FEATURES

- **Wet Location ValueSpec/4 is wet location LED downlight.**
- **Luminaire is powered by a Philips Fortimo DLM 'EaseSelect' driver-embedded LED module.** Module produces 3000K or 3500K white light at a CRI of 80 and may be dimmed to 1% by a 0-10V dimmer. See tables below for wattages and efficacies.
- **Precise reflector design minimizes aperture brightness** with a 40° shielding angle. Fixture is only 6 3/4" deep.
- **A 5/32" thick plastic prismatic lens** protects the LED from a direct spray of water. Reflector assembly is attached to the fixture housing with positive torsion springs that pull the reflector flange tight to the ceiling.
- **External reflector is available in three clear natural aluminum finishes** — semi-specular (C), slightly diffuse (V) or fully diffuse (EC) — as well as champagne gold, white and black. Other finishes are available on special order.
- **Housing is constructed from 14-gauge and 16-gauge electro-zinc steel** in Edison Price Lighting's American factory. Heavy-gauge metals and American manufacturing guarantee long-lasting durability.
- **Luminaire includes a pair of mounting bars** (3/4" x 27" C channel). Specialty bars for wood joist and T-bar installations are also available.
- **For more information, [click here](#).**

APPLICATIONS

Fixture is recommended for use in spaces where the apertures of recessed downlights may be subject to a direct spray of water.

Fixture is listed for Wet Location with a covered ceiling only. Fixture qualifies for the safety program prescribed by UL991 and CSA22.2, and does not require a thermal protector. Fixture is RoHA compliant and is suitable for 120-volt or 277-volt electrical service. Removal of the reflector allows access to the LED module and junction box.



PRODUCT CODE

For complete product code, list basic unit and select one item from each following box.

Basic Unit SHW-FES-4DL

Light Source Output	
1100 lumens	- L11
1500 lumens	- L15
2000 lumens	- L20

Light Engine Color	
3000K (CRI 80)	30K
3500K (CRI 80)	35K

Driver:
LED and driver are integral: luminaire dims to 1% by means of a 0-10V dimmer only.

Reflector Color and Detail	
Semi specular Clear	- COL
Slightly diffuse Clear	- VOL
Fully diffuse Clear	- ECOL
Champagne Gold	- GOL
White	- WOL
Other reflector finishes available on special order.	
Overlap Flange continues reflector finish. White painted flanges and custom painted flanges are available on special order. Add WF (white flange) or CCF (custom color flange).	



PHOTOMETRIC REPORT (tested per IESNA LM-79-2008)

UL Verification Services Report No. 1279992.01. Original test report furnished upon request.

Luminaire recessed LED round downlight with aluminum reflector
 Lamp Philips LED Fortimo DLM ES 2000 lumens, 3000K CCT
 Lamp Life rated 50,000 hours based on L70/B50 criteria. LM80 report by LED manufacturer furnished upon request
 Spacing Criteria 1.1
 Luminaire light output..... 1019 lumens

CANDLEPOWER DISTRIBUTION

Vertical Angle	Horizontal Angle
	0
0	1020
5	1016
15	1018
25	862
35	347
45	21
55	2
65	1
75	0
85	0
90	0

LUMINAIRE LIGHT OUTPUT AND EFFICACY

LED Module type	Luminaire Light Output	Luminaire Efficacy (lms/watt)	System Wattage
1100 Lumens 80 CRI (L11S)	622*	57*	11
1500 Lumens 80 CRI (L15S)	836*	56*	15
2000 Lumens 80 CRI (L20S)	1019	51	20

*estimated values

ZONAL LUMEN SUMMARY

Zone	Lumens	% Fixture
0 - 30°	771	75.7
0 - 40°	989	97.0
0 - 60°	1017	99.8
0 - 90°	1019	100.0
90 -180°	0	0.0
0 -180°	1019	100.0

LUMINANCE DATA

Vertical Angle	Candelam ²
45	3580
55	495
65	292
75	191
85	142

DRIVER INFORMATION *UL Class 2, dry and damp location*

Voltage	120	277
Input Watts (1100/1500/2000 lumens, 3000K)	11/15/20	11/15/20
Input Current (A) (1100/1500/2000 lumens, 3000K)	.09/.13/.17	.04/.05/.07
Min. Power Factor	>0.90	>0.90
Operating Temperature Range (F)	-4 to149	-4 to149

LIGHT OUTPUT MULTIPLIERS

	1100 lumens light output	1500 lumens light output	2000 lumens light output
Standard driver	0.61*	0.82*	1

*estimated values

COLOR MULTIPLIERS

Semi-specular Clear (C)	1
Slightly diffuse Clear (V)	.95
Champagne Gold (G)	.95
Black (B)	.49