

Project

Type

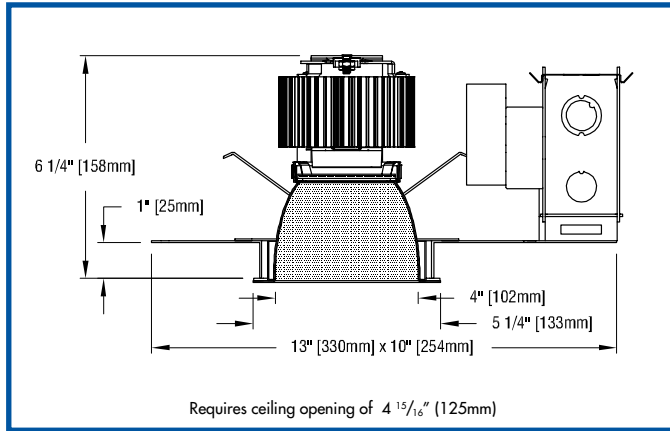


Date Product Code

Designer

STEAMROOM CZS/4

recessed LED steam room downlight



FEATURES

- **Steamroom CZS/4 is a wet location LED downlight** capable of operation at high ambient temperatures (40°C or 104°F) permitting its use in steam rooms.
- **Luminaire is powered by Citizen chip-on-board LED's** some of which provide a CRI of 97 within 2-step MacAdam ellipses. See tables below for wattages and efficacies.
- **Luminaire may be ordered with one of a number of drivers.**
- **Precise reflector design minimizes aperture brightness**, with a 40° shielding angle.
- **A 5/32" thick prismatic glass lens** protects the LED from a direct spray of water. Reflector assembly is attached to the fixture housing with positive torsion springs that pull the reflector flange tight to the ceiling.
- **External reflector is available in three clear natural aluminum finishes** — semi-specular (C), slightly diffuse (V) or fully diffuse (EC) — as well as champagne gold, white and black. Other finishes are available on special order.
- **Luminaire includes a pair of mounting bars** (3/4" x 27" C channel). Specialty bars for wood joist and T-bar installations are also available.
- **For more information, [click here](#).**

APPLICATIONS

Fixture is recommended for spaces where the apertures of recessed downlights may be subject to a direct spray of water.

Fixture is listed for Wet Location at high ambient temperatures (40°C or 104°F) with a covered ceiling only. Fixture is prewired with thermal protector, approved for ten #12 wire 90° branch circuit pull-through wiring. All fixtures are RoHS compliant. Removal of the reflector allows access to the junction box.



PRODUCT CODE

For complete product code, list basic unit and select one item from each following box.

Basic Unit STM-CZS2-4DL

Light Output (Lumens)

1500L / CRI 97	2700K, 3000K & 4000K only	- L15A
2100L		- L21A
1700L / CRI 90+	2700K, 3000K, 3500K & 4000K only	- L17H
2300L		- L23H
1900L / CRI 80+		- L19S
2700L		- L27S

Driver

dimmable to 1% with a 0-10V dimmer; suitable for either 120 or 277-volt service	- DMV
dimmable to 5% with either electronic low voltage (ELV) or incandescent dimmer on 120-volt only	- DMP
dimmable to 1% by a 2-wire Lutron compatible dimmer for 120-volt only	- DMI-LU
dimmable to 1% SoftOn/FadeToBlack by a Lutron EcoSystem control	- ECO-LU
eldoLED 0-10V (Logarithmic) driver dimmable to 0.1% with a 0-10V dimmer on 120 or 277-volt service	- DVOELG
eldoLED 0-10V (Linear) driver dimmable to 0.1% with a 0-10V dimmer on 120 or 277-volt service	- DVOELN
eldoLED driver dimmable to 0.1% compatible with Dali control system	- DAOEL
Magnitude (Logarithmic) driver dimmable to 0.1% by a Zigbee Wireless Network; wireless range 50' through standard walls	- ZGOMAG

Voltage

120 volt service	- 120
277 volt service	- 277

Light Engine Color

2700K	- 27K
3000K	- 30K
3500K	- 35K
4000K	- 40K
5000K	- 50K

Reflector Color and Detail

Semi specular Clear	- COL
Slightly diffuse Clear	- VOL
Fully diffuse Clear	- ECOL
Champagne Gold	- GOL
White	- WOL
Black	- BOL

Other reflector finishes available on special order. Overlap Flange continues reflector finish. White painted flanges and custom painted flanges are available on special order. Add WF (white flange) or CCF (custom color flange).

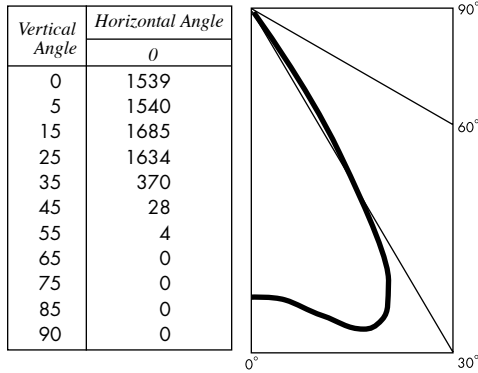


PHOTOMETRIC REPORT (tested per IESNA LM-79-2008)

Leading Testing Laboratories Report No. UT18070002-01a. Original test report furnished upon request.

Luminaire recessed LED round shower light with aluminum reflector
 Lamp CITED LED, 3600 lumens, 3000K, 80 CRI
 Lamp Life rated 50,000 hours based on L70/B50 criteria. LM80 report by LED manufacturer furnished upon request
 Spacing Criteria 1.14

CANDLEPOWER DISTRIBUTION



LUMINAIRE LIGHT OUTPUT AND EFFICACY

LED Module Type	Luminaire Light Output	Luminaire Efficacy (lms/watt)	System Wattage
1500 Lumens 97 CRI (L15A)	734*	46*	16
2100 Lumens 97 CRI (L21A)	1020*	49*	21
1700 Lumens 90 CRI (L17H)	823*	51*	16
2300 Lumens 90 CRI (L23H)	1146*	55*	21
1900 Lumens 80 CRI (L19S)	967*	60*	16
2700 Lumens 80 CRI (L27S)	1343*	64*	21

*estimated values

ZONAL LUMEN SUMMARY

Zone	Lumens	% Fixture
0 - 40°	1739	97.1
0 - 60°	1778	99.3
0 - 90°	1778	99.3
90 - 180°	12	0.7

COLOR MULTIPLIERS

Semi-specular Clear (C)	1
Slightly diffuse clear (V)	.95
Fully diffuse clear (EC)	.88
Champagne gold clear (G)	.95
Black (B)	.49

DRIVER INFORMATION UL Class 2, dry and damp location

Voltage	120	277
Input Watts (L15A/L21A/L17H/L23H/L19S/L27S)	16/21/29	16/21/29
Input Current (A) (L15A/L21A/L17H/L23H/L19S/L27S)	.13/.18/.24	.06/.08/.10
Output Current (mA)	350-700	350-700
Min. Power Factor	.99	.99
Operating Temperature Range (F)	-13 to 122	-13 to 122

LIGHT OUTPUT MULTIPLIER

(Based on 3600 lumens LED)

LED Module Type	Light Output Multiplier
1500 Lumens 97 CRI (L15A)	0.41*
2100 Lumens 97 CRI (L21A)	0.57*
1700 Lumens 90 CRI (L17H)	0.46*
2300 Lumens 90 CRI (L23H)	0.64*
1900 Lumens 80 CRI (L19S)	0.54*
2700 Lumens 80 CRI (L27S)	0.75*

LUMINANCE DATA

Vertical Angle	Candelam ²
45	16367
55	2700
65	0
75	0
85	0