

FIVE HI XTM PM


pendant mounted LED downlight/wallwasher



FEATURES

- **FIVE HI XTM PM is a 5" aperture pendant mounted LED downlight/wallwasher.** Luminaire is powered by one of a number of Xicato 19mm XTM LED modules, distinguished by extraordinary color consistency (within 1x2-step MacAdam ellipse). See tables below for wattages and efficacies. Luminaire may be ordered with one of a number of drivers.
- **One basic housing allows interchangeable use** of the downlight and wallwash (120°) reflectors. This permits housings to be installed first and reflectors installed or changed at any time.
- **Precise reflector design minimizes aperture brightness** and provides a shielding angle of 40°.
- **External reflectors are available in two clear natural aluminum finishes** — slightly diffuse (V) or fully diffuse (EC) — as well as champagne gold Alzak® and white. Other reflector finishes are available on special order.
- **Luminaire includes 84" leads and is suitable for hanging from a 3 1/2" or 4" octagonal outlet box (by others)** by means of a 3/8 NPS (.675" OD) pendant. Pendant and hardware may be ordered as accessories or provided by others.
- For more information, [click here](#).

APPLICATIONS

Fixture is suitable for 120-volt or 277-volt service and is  listed for Damp Location and mounting on a 3 1/2" or 4" octagonal outlet box (supplied by others).

PENDANTS

3/8 NPS (.675" OD); may be cut and rethreaded in the field.

18" pendant, white	18PX
same as above, black	18PXB
same as above, Industrial Silver	18PXS
36" pendant, white.	36PX
same as above, black	36PXB
same as above, Industrial Silver	36PXS

PENDANT HARDWARE

For use with a 3/8 NPS (.675" OD) pendant hung from 3 1/2" or 4" outlet box.

outlet box cover kit, white, flat 4 1/2" dia.	UNIT/OBC
same as above, black	UNIT/OBCB
same as above, Industrial Silver	UNIT/OBCS
canopy kit, 5" dia. X 1 5/8" deep	UNIT/CPY
same as above, black	UNIT/CPYB
same as above, Industrial Silver	UNIT/CPYS
swivel kit, 4 1/2" dia.; 45° max sloped ceiling	UNIT/SVL
same as above, black	UNIT/SVLB
same as above, Industrial Silver	UNIT/SVLS

- ▶ Pendants of custom length and/or finish are available on special order.
- ▶ Hardware Kits of custom finish are available on special order.

PRODUCT CODE

For complete product code, list basic unit and select one item from each following box.

Basic Unit FH-PM-XTM

Light Source Output (Lumens)

1000L / CRI 98 Artist.....	L10A
1300L / CRI 98 Artist.....	L13A
1600L / CRI 80+.....	L16S
1600L / CRI 80+ Vibrant..... 3000K only.....	L16V
2100L / CRI 98 Artist.....	L21A
2100L / CRI 80+	L21S
2100L / CRI 80+ Vibrant..... 3000K only.....	L21V
2700L / CRI 80+	L27S
2700L / CRI 80+ Vibrant..... 3000K only.....	L27V

LED Light Engine Color

2700K.....	27K
3000K.....	30K
3500K.....	35K
4000K.....	40K

Driver

dimmable to 1% by a 0-10V dimmer on 120 or 277-volt service	DMV
dimmable to 5% by either an incandescent or ELV dimmer; 120-volt service only.....	DMP
eldoLED 0-10V (Logarithmic) driver dimmable to 0.1% with a 0-10V dimmer on 120 or 277-volt service	DVOELG
eldoLED 0-10V (Linear) driver dimmable to 0.1% with a 0-10V dimmer on 120 or 277-volt service	DVOELN
eldoLED driver dimmable to 0.1%, compatible with DALI control system	DA0-EL

Voltage

120 volt service	120
277 volt service	277

Finish

white	WHT
black	BLK
Industrial Silver	SIL
custom color: include physical chip with order	CC

Reflector Type

Downlight	no suffix
Wallwash.....	WW

Reflector Color

Slightly diffuse Clear.....	VSM
Fully diffuse Clear.....	ECSM
Champagne Gold	GSM
White	WSM

Other reflector finishes are available on special order.

Overlap Flange continues reflector finish. White painted flanges and custom painted flanges are available on special order. Add WF (white flange) or CCF (custom color flange).

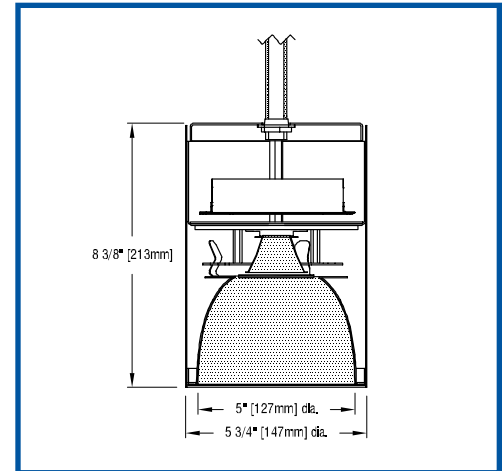
For a surface mounted model, see [FIVE HI XTM SM](#)



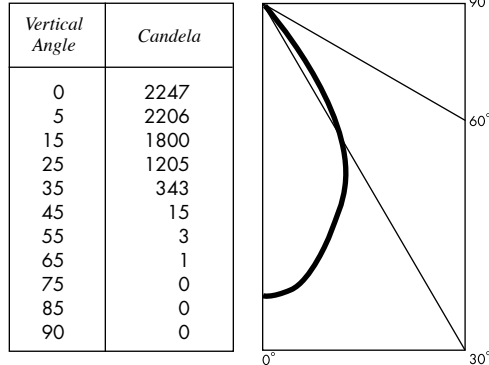
PHOTOMETRIC REPORT (tested per IESNA LM-79-2008)

Verification Services Report No. 1225375. Original report furnished upon request.

Luminaire pendant-mounted LED round downlight with aluminum reflector
 Lamp Xicato 19mm XTM LED, 2700 lumens, 3000K, 80 CRI
 Lamp Life rated 50,000 hours based on L70/B50 criteria. LM80 report by LED manufacturer furnished upon request
 Spacing Criteria 0.8



CANDLEPOWER DISTRIBUTION



ZONAL LUMEN SUMMARY

Zone	Lumens	% Fixture
0 – 40°	1457	98.2
0 – 60°	1481	99.8
0 – 90°	1482	100.0
90 – 180°	0	0.0

STANDARD DRIVER (0-10V DIMMING) INFORMATION UL Class 2, dry and damp location

Voltage	120	277
Input Watts (L10A/L13A/L21A/L16S&V/L21S&V/L27S&V lumens)	15/20/27/17/23/27	15/20/27/17/23/27
Input Current (A) (L10A/L13A/L21A/L16S&V/L21S&V/L27S&V lumens)	.13/.17/.23/.13/.19/.23	.05/.07/.10/.06/.08/.10
Output Current (mA)	500–700	500–700
Min. Power Factor	>0.9	>0.9
Operating Temperature Range (F)	-4 to 122	-4 to 122

LIGHT OUTPUT MULTIPLIERS

Based on 2700 lumens LED

LED Light Engine	Light Output Multiplier
1000 Lumens	.37*
1300 Lumens	.50*
2100 Lumens	.79*
1600 Lumens standard & Vibrant	.61*
2100 Lumens standard & Vibrant	.79*
2700 Lumens standard & Vibrant	1

*estimated values

COLOR MULTIPLIERS

Slightly diffuse clear (V)	1
Fully diffuse clear (EC)	.93
Champagne gold (G)	1

LUMINAIRE LIGHT OUTPUT AND EFFICACY

LED Light Engine	Luminaire Light Output	Luminaire Efficacy (lms/watt)	System Wattage
1000 Lumens	551*	36*	15
1300 Lumens	735*	38*	20
2100 Lumens	1175*	44*	27
1600 Lumens standard & Vibrant	905*	54*	17
2100 Lumens standard & Vibrant	1177*	50*	23
2700 Lumens standard & Vibrant	1483	55	27

*estimated values

LUMINANCE DATA

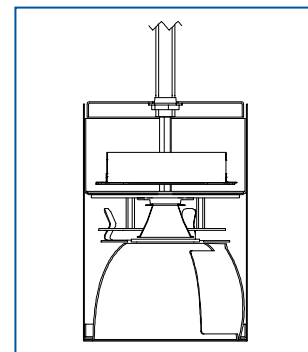
Vertical Angle	Candela/m ²
45	1292
55	332
65	172
75	114
85	57

To convert cd/m² to footlamberts multiply by 0.2919.

PHOTOMETRIC REPORT (tested per IESNA LM-79-2008)

UL Verification Services Report No. 1225376. Original report furnished upon request.

Luminaire pendant-mounted LED round wallwasher with aluminum reflector
 Lamp Xicato 19mm XTM LED, 2700 lumens, 3000K, 80 CRI
 Lamp Life rated 50,000 hours based on L70/B50 criteria. LM80 report
 by LED manufacturer furnished upon request



WALLWASH INFORMATION *Based on 2700 lumens LED*

Distance From Ceiling (Feet)	2' 6" From Wall; 2' 6" O.C.		3' From Wall; 3' O.C.	
	Below Fixture	Between Fixtures	Below Fixture	Between Fixtures
1	5	5	5	5
2	11	11	8	8
3	12	12	8	8
4	16	16	10	10
5	19	19	12	13
6	19	20	14	14
7	18	18	13	14
8	16	16	12	12
9	14	14	11	11
10	12	13	10	10
11	11	11	9	9
12	10	10	8	8
13	9	9	7	7
14	8	8	7	7
15	7	7	6	6

All vertical footcandles are initial values with no contribution from ceiling or floor reflectances. Computation performed with a total of ten wallwashers.

LIGHT OUTPUT MULTIPLIERS

Based on 2700 lumens LED

LED Light Engine	Light Output Multiplier
1000 Lumens	.37*
1300 Lumens	.50*
2100 Lumens	.79*
1600 Lumens standard & Vibrant	.61*
2100 Lumens standard & Vibrant	.79*
2700 Lumens standard & Vibrant	1

*estimated values

LUMINAIRE LIGHT OUTPUT AND EFFICACY

LED Light Engine	Luminaire Light Output	Luminaire Efficacy (lms/watt)	System Wattage
1000 Lumens	538*	35*	15
1300 Lumens	718*	37*	20
2100 Lumens	1147*	42*	27
1600 Lumens standard & Vibrant	883*	53*	17
2100 Lumens standard & Vibrant	1148*	49*	23
2700 Lumens standard & Vibrant	1447	54	27

*estimated values