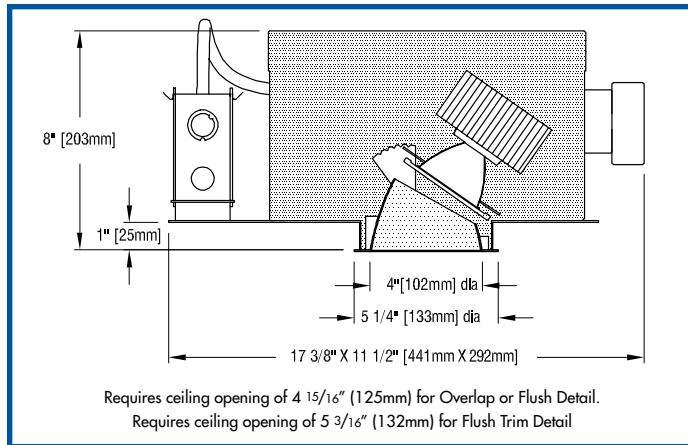


FOUR HI XTM AA recessed LED accent light

FULLY SUSTAINABLE - FULLY SUSTAINABLE - FULLY SUSTAINABLE - FULLY SUSTAINABLE - FULLY SUSTAINABLE - FULLY SUSTAINABLE - FULLY SUSTAINABLE



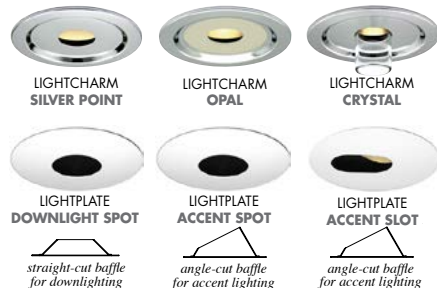
- **FOUR HI XTM AA is a 4" aperture LED accent light.** Luminaire is powered by one of a number of Xicato 19 mm XTM LED modules, distinguished by extraordinary color consistency (within 1x2-step MacAdam ellipse). See tables below for wattages and efficacies. Luminaire may be ordered with one of a number of drivers.
- **Luminaire employs an internal 'twist and lock' reflector** to produce an initial beamspread of 20°, 40° or 60°. To allow beamspread to be changed in installed luminaires, internal reflectors are available as accessories. Precise reflector design minimizes aperture brightness.
- **Luminaire provides 363° horizontal rotation and 0°- 35° angular adjustment** with lockable focus.
- **Luminaire accepts one or two of a number of Optical Accessories** including lenses and color filters. Complimentary prismatic lens included.
- **External reflectors are available in clear natural aluminum finishes** — semi-specular (C), slightly diffuse (V) or fully diffuse (EC) — as well as champagne gold, black Alzak® or white. Other finishes available on special order.
- **LightCharms® or LightPlate™ decorative trims may be ordered instead of standard reflectors.**
- **Luminaire includes a pair of mounting bars** (3/4" x 27" C channel). Specialty bars for wood joists and T-bar installations are also available.
- **For more information, [click here](#).**

APPLICATIONS

Luminaire is listed for Damp Location. Fixture is prewired with an insulation detecting thermal protector. Luminaire approved for eight #12 wire 90° C branch circuit pull through wiring and is suitable for use in a fire rated ceiling. Removal of the external reflector allows access to the LED module and junction box.

LIGHTCHARMS & LIGHTPLATES

LightCharms and LightPlates may be used instead of standard reflectors.



SPACING REQUIREMENT

The L30S and L30V model of this luminaire must be spaced 30" apart and 15" from walls, and must have 1/2" clearance above housing.

PRODUCT CODE

For complete product code, list basic unit and select one item from each following box.

| | |
|--|---|
| Basic Unit..... | FH-XTM-4AA |
| Internal Reflector | |
| 20° initial beamspread | 20D |
| 40° initial beamspread | 40D |
| 60° initial beamspread | 60D |
| Driver | |
| dimble to 1% by a 0-10V dimmer on 120 or 277-volt service | DMV |
| dimble to 5% or 10% (see Light Source Output box below) by either an incandescent or ELV dimmer; 120-volt service only | DMP |
| eldoLED 0-10V (Logarithmic) driver dimmable to 0.1% with a 0-10V dimmer on 120 or 277-volt service | DVOELG |
| eldoLED 0-10V (Linear) driver dimmable to 0.1% with a 0-10V dimmer on 120 or 277-volt service | DVOELN |
| eldoLED driver dimmable to 0.1%, compatible with DAU control system | DA0-EL |
| Moons' driver dimmable to 0.1%, compatible with DMX controllers | DX0 |
| Light Source Output (Lumens) | |
| 1000L / CRI 98 Artist | DMP (5%) ... - L10A |
| 1300L / CRI 98 Artist | DMP (5%) ... - L13A |
| 1300L / CRI 80+ | DMP (10%) ... - L13S |
| 1300L / CRI 80+ Vibrant | 3000K only..... DMP (10%) ... - L13V |
| 1600L / CRI 80+ | DMP (5%) ... - L16S |
| 1600L / CRI 80+ Vibrant | 3000K only..... DMP (5%) ... - L16V |
| 2100L / CRI 98 Artist | DMP (5%) ... - L21A |
| 2100L / CRI 80+ | DMP (5%) ... - L21S |
| 2100L / CRI 80+ Vibrant | 3000K only..... DMP (5%) ... - L21V |
| 3000L / CRI 80+ | see SPACING .. - L30S |
| 3000L / CRI 80+ Vibrant | see SPACING 3000K only..... - L30V |
| Light Color | |
| 2700 K..... | - 27K |
| 3000 K..... | - 30K |
| 3500 K..... | - 35K |
| 4000 K..... | - 40K |
| Voltage | 120 volt service..... 120 277 volt service..... - 277 |

| | | |
|-------------------------------------|------------|-------------|
| External Reflector Color and Detail | Overlap | Trim Flush* |
| Semi-specular Clear | COL | CTF |
| Slightly diffuse Clear | VOL | VTF |
| Fully diffuse Clear | ECOL | ECTF |
| Champagne Gold | GOL | GTF |
| Black | BOL | BTF |
| White | WOL | WTF |

| | |
|--|-------------|
| Standard reflector flange continues reflector finish. White painted flanges and custom painted flanges are available on special order. Add WF (white flange) or CCF (custom color flange). | |
| *Trim Flush reflector trim requires the use of a plaster ring Accessory (see below). | |
| ▶ Reflectors detailed for metal or wood ceilings available on special order. | |
| LightCharms or LightPlate may be ordered instead of the standard reflectors above. | |
| LightCharm Silver Point | LC-SP |
| LightCharm Opal | LC-O |
| LightCharm Crystal | LC-C |
| LightPlate Downlight Spot, white | DP-OL |
| LightPlate Accent Spot, white | AP-OL |
| LightPlate Accent Slot, white | AL-OL |
| Custom painted trims for LightPlate are available on special order. Add -CC | |

| | | |
|-------------------------------------|------------|-------------|
| External Reflector Color and Detail | Overlap | Trim Flush* |
| Semi-specular Clear | COL | CTF |
| Slightly diffuse Clear | VOL | VTF |
| Fully diffuse Clear | ECOL | ECTF |
| Champagne Gold | GOL | GTF |
| Black | BOL | BTF |
| White | WOL | WTF |

| | |
|---|-------------|
| LightCharm Silver Point | LC-SP |
| LightCharm Opal | LC-O |
| LightCharm Crystal | LC-C |
| LightPlate Downlight Spot, white | DP-OL |
| LightPlate Accent Spot, white | AP-OL |
| LightPlate Accent Slot, white | AL-OL |
| Custom painted trims for LightPlate are available on special order. Add -CC | |

Standard reflector flange continues reflector finish. White painted flanges and custom painted flanges are available on special order. Add WF (white flange) or CCF (custom color flange).
*Trim Flush reflector trim requires the use of a plaster ring Accessory (see below).

| | |
|--|-------------|
| ▶ Reflectors detailed for metal or wood ceilings available on special order. | |
| LightCharms or LightPlate may be ordered instead of the standard reflectors above. | |
| LightCharm Silver Point | LC-SP |
| LightCharm Opal | LC-O |
| LightCharm Crystal | LC-C |
| LightPlate Downlight Spot, white | DP-OL |
| LightPlate Accent Spot, white | AP-OL |
| LightPlate Accent Slot, white | AL-OL |
| Custom painted trims for LightPlate are available on special order. Add -CC | |

OPTIONS Specify by adding to the basic unit.

| | |
|--|------|
| Remote emergency battery pack including two components – battery pack and plate with test switch and light – to be mounted adjacent to fixture; for use in accessible ceilings | - RX |
|--|------|

ACCESSORIES Specify as separate line item.

| | |
|---|-----------|
| Plaster ring allows use of 4 7/8" OD Trim Flush (TF) reflector in sheetrock ceiling; 5 3/16" dia hole required..... | TF RING/4 |
|---|-----------|

EXTRA REFLECTORS Specify as separate line items.

| | |
|------------------------------|--------------|
| 20° initial beamspread | XTM-REF20-72 |
| 40° initial beamspread | XTM-REF40-72 |
| 60° initial beamspread | XTM-REF60-70 |



OPTICAL ACCESSORIES *Specify as separate line*

All are 3 3/4" (95mm) diameter.

Lenses and filters are glass; screens are aluminum.

| | |
|---|----------------|
| prismatic lens (Solite) (included with fixture) | PLS/3.75 |
| 55° spread lens | LENS/3.75 |
| 40° x 70° spread lens | LENS/3.75-4070 |
| 33% light reduction screen | SCR33/3.75 |
| 50% light reduction screen | SCR50/3.75 |

color filters

| | |
|---------------------|----------|
| surprise pink | PNK/3.75 |
| daylight blue | DAY/3.75 |
| amber | AMB/3.75 |
| blue | BLU/3.75 |
| green | GRN/3.75 |
| red | RED/3.75 |



PHOTOMETRIC REPORT (tested per IESNA LM-79-2008)

Prorated from **LTL** Report No. 192374. Original Luminaire Testing Laboratories, Inc. (LTL) test reports furnished upon request.

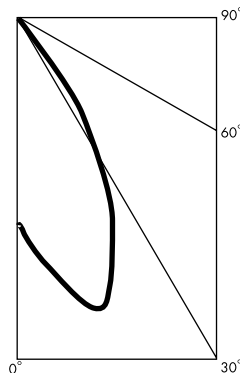
Luminaire recessed LED round accent light with semi-specular clear aluminum reflector, LED aimed at 15° above vertical

Lamp Xicato XTM 19mm LED with 40° beam spread integral reflector, 3000K CCT, 1600 lumens

Lamp Life rated 50,000 hours based on L70/B50 criteria. LM80 report by LED manufacturer furnished upon request

CANDLEPOWER DISTRIBUTION (Candela)

| Vertical Angle | Horizontal Angle | | | | |
|----------------|------------------|------|------|------|------|
| | 0 | 22.5 | 45 | 67.5 | 90 |
| 0 | 1965 | 1965 | 1965 | 1965 | 1965 |
| 5 | 2263 | 2213 | 2138 | 2047 | 1948 |
| 15 | 2872 | 2691 | 2307 | 1837 | 1371 |
| 25 | 2083 | 1826 | 1380 | 832 | 316 |
| 35 | 898 | 737 | 374 | 149 | 26 |
| 45 | 187 | 128 | 38 | 6 | 2 |
| 55 | 10 | 4 | 2 | 1 | 1 |
| 65 | 0 | 0 | 0 | 0 | 0 |
| 75 | 0 | 0 | 0 | 0 | 0 |
| 85 | 0 | 0 | 0 | 0 | 0 |
| 90 | 0 | 0 | 0 | 0 | 0 |



REFLECTOR COLOR MULTIPLIERS

| | |
|----------------------------|-----|
| Semi-specular clear (C) | 1 |
| Slightly diffuse clear (V) | .95 |
| Fully diffuse clear (EC) | .88 |
| Champagne gold clear (G) | .95 |
| Black (B) | .49 |

STANDARD DMV DRIVER INFORMATION *UL Class 2, dry and damp location*

| Voltage | 120 | 277 |
|--|-----------------------------|-----------------------------|
| Input Watts (L10A/L13A/L21A/L13S&V/L16S&V/L21S&V/L30S&V lumens) | 17/22/30/17/19/25/33 | 17/22/30/17/19/25/33 |
| Input Current (A) (L10A/L13A/L21A/L13S&V/L16S&V/L21S&V/L30S&V lumens) | .14/.18/.25/.14/.16/.21/.28 | .06/.08/.11/.06/.07/.09/.12 |
| Output Current (mA) | 500-800 | 500-800 |
| Min. Power Factor | >0.9 | >0.9 |
| Operating Temperature Range (F) | -4 to 122 | -4 to 122 |

LUMINAIRE LIGHT OUTPUT AND EFFICACY (40° beam spread integral reflector)

| LED Light Engine | Luminaire Light Output | Luminaire Efficacy (lms/watt) | System Wattage | EM Light Output (90 min. run) |
|--------------------------------|------------------------|-------------------------------|----------------|-------------------------------|
| 1000 Lumens Artist | 658* | 38* | 17 | 346* |
| 1300 Lumens Artist | 877* | 41* | 22 | 346* |
| 2100 Lumens Artist | 1429* | 48* | 30 | 378* |
| 1300 Lumens standard & Vibrant | 886* | 53* | 17 | 356* |
| 1600 Lumens standard & Vibrant | 1084 | 57 | 19 | 400* |
| 2100 Lumens standard & Vibrant | 1402* | 55* | 25 | 400* |
| 3000 Lumens standard & Vibrant | 1939* | 58* | 33 | 378* |

*estimated values

LIGHT OUTPUT MULTIPLIER

| LED Light Engine | Light Output Multiplier | EM Light Output Multiplier (90-minute run) |
|--------------------------------|-------------------------|--|
| 1000 Lumens Artist | .61* | .32* |
| 1300 Lumens Artist | .81* | .32* |
| 2100 Lumens Artist | 1.32* | .35* |
| 1300 Lumens standard & Vibrant | .82* | .33* |
| 1600 Lumens standard & Vibrant | 1 | .37* |
| 2100 Lumens standard & Vibrant | 1.30* | .37* |
| 3000 Lumens standard & Vibrant | 1.80* | .35* |

*estimated values