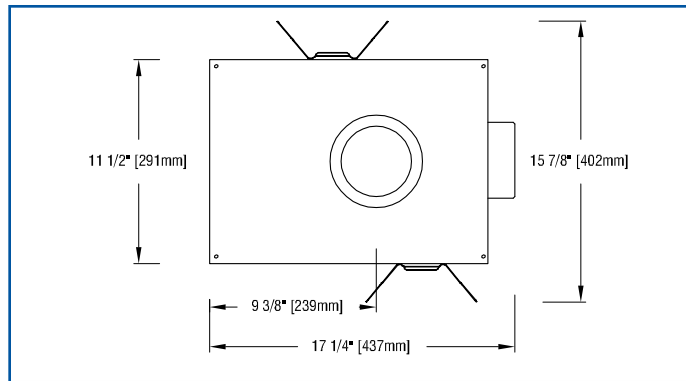
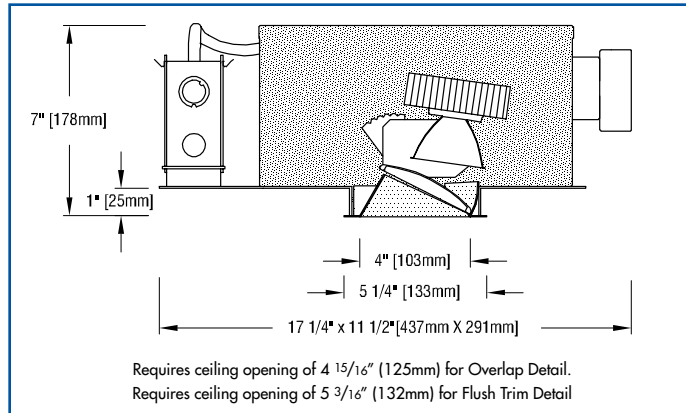


# FOUR HI CZS WL recessed LED wallwasher

HIGH OUTPUT - HIGH OUTPUT - HIGH OUTPUT - HIGH OUTPUT - HIGH OUTPUT - HIGH OUTPUT - HIGH OUTPUT - HIGH OUTPUT




## FEATURES

- **FOUR HI CZS WL is a 4" aperture LED wallwasher.** Luminaire is powered by Citizen chip-on-board LED's providing CRI's of 80+, 90+ or 97. See tables below for wattages and efficacies
- **Precise reflector design provides uniform illumination** on vertical surfaces up to the ceiling line and minimizes aperture brightness. The optical assembly consists of two internal reflectors, a 40° x 70° glass spread lens, and an external trim. The optical assembly rotates 363°, if required.
- **An optional Optical Accessories holder** permits the use of one of a number of optical accessories including color filters and screens.
- **External reflectors are available in clear natural aluminum finishes** — semi-specular (C), slightly diffuse (V) or fully diffuse (EC) — as well as champagne gold, black Alzak® or white. Other finishes available on special order.
- **Housing is constructed from 20-gauge electro-zinc, polyester-coated steel** in Edison Price Lighting's American factory. Heavy-gauge metals and American manufacturing guarantee long-lasting durability.
- **Luminaire includes a pair of mounting bars** (3/4" x 27" C channel). Specialty bars for wood joists and T-bar installations are also available.
- **For more information, [click here](#).**

## APPLICATIONS



Luminaire is  listed for Damp Location. Fixture is prewired with an insulation detecting thermal protector. Luminaire approved for eight #12 wire 90° C branch circuit pull through wiring and is suitable for use in a fire rated ceiling. Removal of the external reflector allows access to the LED module and junction box.

For tunable white, see [FOUR HI TUNE WL](#)  
For dim-to-warm, see [FOUR HI WARM WL](#)

## PRODUCT CODE

For complete product code, list basic unit and select one item from each following box.

<b>Basic Unit</b> .....	FH-CZS2-WL-4
<b>Driver</b>	
dimble to 1% by a 0-10V dimmer on 120 or 277-volt service .....	DMV
dimble to 5% or 10% by either an incandescent or ELV dimmer; 120-volt service only .....	DMP
dimble to 1% by a 2-wire Lutron compatible dimmer.....	DMHU
dimble to 1% SoftOn/FadeToBlack by a Lutron EcoSystem control ...	ECO-LU
eldLED 0-10V (Logarithmic) driver dimmable to 0.1% with a 0-10V dimmer on 120 or 277-volt service .....	DVOELG
eldLED 0-10V (Linear) driver dimmable to 0.1% with a 0-10V dimmer on 120 or 277-volt service .....	DVOELN
eldLED driver dimmable to 0.1%, compatible with DALI control system .....	DA0-EL
Moon's driver dimmable to 0.1%, compatible with DMX controllers .....	DX0-MN
Magnitude (Logarithmic) driver dimmable to 0.1% by a Zigbee Wireless Network; wireless range 50' through standard walls.....	ZGOMAG

<b>Light Source Output (Lumens)</b>	
1500L / CRI 97 .....	2700K & 3000K only - L15A
2100L .....	2700K & 3000K only - L21A
2800L .....	2700K & 3000K only - L28A
3000L .....	2700K & 3000K only - L30A
1700L / CRI 90+ .....	2700K & 3000K only - L17H
2300L .....	2700K & 3000K only - L23H
3100L .....	2700K & 3000K only - L31H
3400L .....	2700K & 3000K only - L34H
1900L / CRI 80+ .....	- L19S
2700L .....	- L27S
3600L .....	- L36S
4000L .....	- L40S

<b>Light Color</b>	
2700 K.....	- 27K
3000 K.....	- 30K
3500 K .....	not available in CRI 90+ and CRI 97 - 35K
4000 K .....	not available in CRI 90+ and CRI 97 - 40K
5000 K .....	not available in CRI 90+ and CRI 97 - 50K

<b>Voltage</b>	
120 volt service .....	- 120
277 volt service .....	- 277

<b>External Reflector Color and Detail</b>	<b>Overlap</b>	<b>Trim Flush*</b>
Semi-specular Clear .....	COL .....	CTF
Slightly diffuse Clear .....	VOL .....	VTF
Fully diffuse Clear .....	ECOL .....	ECTF
Champagne Gold .....	GOL .....	GTF
Black .....	BOL .....	BTF
White .....	WOL.....	WTF
Standard reflector flange continues reflector finish. White painted flanges and custom painted flanges are available on special order. Add WF (white flange) or CCF (custom color flange).		
*Trim Flush reflector trim requires the use of a <b>plaster ring Accessory</b> (see below).		
▶ Reflectors detailed for metal or wood ceilings available on special order.		

## OPTIONS Specify by adding to the basic unit.

<b>Remote emergency battery pack</b> including two components – battery pack and plate with test switch and light – to be mounted adjacent to fixture; for use in accessible ceilings .....	- RX
---	------

## ACCESSORIES Specify as separate line item.

<b>holder for Optical Accessory</b> .....	- XTM/4 OA HLDR
<b>Plaster ring</b> allows use of 4 7/8" OD Trim Flush (TF) reflector in sheetrock ceiling: 5 3/16" dia hole required .....	TF RING/4

## OPTICAL ACCESSORIES ▼ see next page



## OPTICAL ACCESSORIES *Specify as separate line*

For use only with the "holder for Optical Accessory" accessory listed on the page above.  
All are 3 3/4" (95mm) diameter. Filters are glass; screens are aluminum.

<b>33% light reduction screen</b> .....	SCR33/3.75
<b>50% light reduction screen</b> .....	SCR50/3.75
<b>beam smoother</b> .....	DIF05/3.75

### color filters

surprise pink .....	PNK/3.75
daylight blue .....	DAY/3.75
amber .....	AMB/3.75
blue .....	BLU/3.75
green .....	GRN/3.75
red .....	RED/3.75

## PHOTOMETRIC REPORT (tested per IESNA LM-79-2008)

Leading Testing Laboratories Report No. UT18080004-04a. Original test report furnished upon request.

Luminaire ..... recessed LED round lensed wallwasher with semi-specular clear aluminum reflector  
Lamp ..... Citizen LED, 3600 lumens, 3000K CCT, 80 CRI, with 56° beam spread integral reflector  
Lamp Life ..... rated 50,000 hours based on L70/B50 criteria. LM80 report by LED manufacturer furnished upon request

## WALLWASH INFORMATION

(based on 3600 lumens, 3000K, 80 CRI LED)

Distance From Ceiling (Feet)	3' From Wall; 3' O.C.		3' 6" From Wall; 3' 6" O.C.		4' From Wall; 4' O.C.	
	Below Fixture	Between Fixtures	Below Fixture	Between Fixtures	Below Fixture	Between Fixtures
1	21	19	14	12	9	8
2	39	35	25	22	17	15
3	48	44	34	31	24	22
4	42	42	34	33	27	25
5	35	34	30	29	25	25
6	27	26	25	24	22	21
7	21	20	20	19	18	18
8	16	16	16	16	15	15
9	12	12	13	12	12	12
10	10	10	10	10	10	10
11	8	8	8	8	8	8
12	6	6	7	7	7	7

All vertical footcandles are initial values with no contribution from walls, ceiling or floor reflectances.  
Computation performed with a total of ten wallwashers.

## LIGHT OUTPUT MULTIPLIER (based on 3600 lumens LED)

LED Light Engine	Light Output Multiplier	EM Light Output Multiplier (90-minute run)
1500 Lumens 97 CRI (L15A)	0.41*	0.15*
2100 Lumens 97 CRI (L21A)	0.56*	0.15*
2800 Lumens 97 CRI (L28A)	0.76*	0.15*
3000 Lumens 97 CRI (L30A)	0.85*	0.15*
1700 Lumens 90 CRI (L17H)	0.46*	0.17*
2300 Lumens 90 CRI (L23H)	0.63*	0.17*
3100 Lumens 90 CRI (L31H)	0.85*	0.17*
3400 Lumens 90CRI (L34H)	0.94*	0.17*
1900 Lumens 80 CRI (L19S)	0.54*	0.2*
2700 Lumens 80 CRI (L27S)	0.75*	0.2*
3600 Lumens 80 CRI (L36S)	1	0.2*
4000 Lumens 80 CRI (L40S)	1.1*	0.2*

\*estimated values

## LUMINAIRE LIGHT OUTPUT AND EFFICACY

(3000K LED, 56° beam spread integral reflector)

LED Light Engine	Luminaire Light Output	Luminaire Efficacy (lms/watt)	System Wattage	EM Light Output (90 min. run)
1500 Lumens 97 CRI (L15A)	524*	33*	16	192*
2100 Lumens 97 CRI (L21A)	716*	34*	21	192*
2800 Lumens 97 CRI (L28A)	972*	32*	30	192*
3000 Lumens 97 CRI (L30A)	1087*	32*	34	192*
1700 Lumens 90 CRI (L17H)	588*	37*	16	217*
2300 Lumens 90 CRI (L23H)	806*	38*	21	217*
3100 Lumens 90 CRI (L31H)	1087*	36*	30	217*
3400 Lumens 90CRI (L34H)	1202*	35*	34	217*
1900 Lumens 80 CRI (L19S)	691*	43*	16	256*
2700 Lumens 80 CRI (L27S)	959*	46*	21	256*
3600 Lumens 80 CRI (L36S)	1279	42	30	256*
4000 Lumens 80 CRI (L40S)	1407*	41*	34	256*

\*estimated values

## STANDARD DRIVER INFORMATION

(UL Class 2, dry and damp location)

Voltage	120	277
Input Watts (L15A/L21A/L28A/L30A/L17H/L23H/L31H/L34H/L19S/L27S/L36S/L40S lumens)	16/21/30/34	16/21/30/34
Input Current (A) (L15A/L21A/L28A/L30A/L17H/L23H/L31H/L34H/L19S/L27S/L36S/L40S lumens)	.13/.18/.25/.28	.06/.08/.11/.12
Output Current (mA)	350-1100	350-1100
Min. Power Factor	>0.9	>0.9
Operating Temperature Range (F)	-4 to 122	-4 to 122

## REFLECTOR COLOR MULTIPLIERS LED CCT MULTIPLIERS

Semi-specular clear (C)	1	2700K	.96
Slightly diffuse clear (V)	.95	3000K	1
Fully diffuse clear (EC)	.88	3500K	1.02
Champagne gold clear (G)	.95	4000K	1.03
Black (B)	.49	5000K	1.04