

Project

Date

Product Code

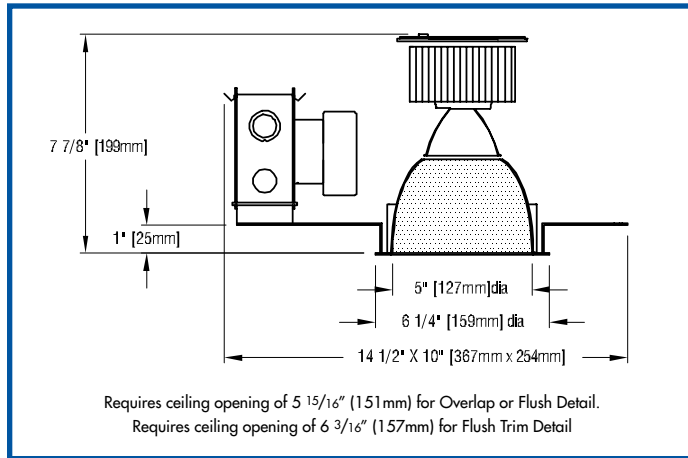
Type

Designer



FIVE HI XTM DL recessed LED downlight

FULLY SUSTAINABLE – FULLY SUSTAINABLE – FULLY SUSTAINABLE – FULLY SUSTAINABLE – FULLY SUSTAINABLE – FULLY SUSTAINABLE – FULLY SUSTAINABLE



FEATURES

- FIVE HI XTM DL is a 5" aperture LED downlight.** Luminaire is powered by one of a number of Xicato 19 mm XTM LED modules, all of which are distinguished by extraordinary color consistency (within 1x2-step MacAdam ellipse). See tables below for wattages and efficacies. Luminaire may be ordered with one of a number of drivers.
- Luminaire employs an internal 'twist and lock' reflector** to produce an initial beamspread of 20°, 40° or 60°. Beamspread to be changed in installed luminaires, internal reflectors are available as accessories.
- Precise reflector design minimizes aperture brightness** and provides a shielding angle of 40°. A thin, highly efficient plastic diffuser is included to obscure the LED module from view from below.
- External reflectors are available in clear natural aluminum finishes** — semi-specular (C), slightly diffuse (V) or fully diffuse (EC) — as well as champagne gold, black Alzak® or white. Other finishes available on special order.
- An optional integral holder (DG)** permits the use of one or two of a number of [Optical Accessories](#) including lenses and color filters. This option replaces the standard plastic diffuser and includes a complimentary prismatic lens.
- Luminaire includes a pair of mounting bars** (3/4" x 27" C channel). Specialty bars for wood joists and T-bar installations are also available.
- For more information, [click here](#).**

APPLICATIONS

Luminaire is listed for Damp Location. Fixture is prewired with an insulation detecting thermal protector. Luminaire is approved for eight #12 wire 90° C branch circuit pull through wiring. Removal of the external reflector allows access to the LED module and junction box.



SPACING REQUIREMENT

Six models – L27A, L30A, L30S, L30V, L40S and L40V – must be spaced 30" apart (O.C.) and 15" from walls, and must have 1/2" clearance above housing.

PRODUCT CODE

For complete product code, list basic unit and select one item from each following box.

Basic Unit	
no lens holder; 7 7/8" depth	FH-XTM-5DL
with lens holder; 8 1/8" depth	FH-XTM-5DG

Internal Reflector	
20° initial beamspread	20D
40° initial beamspread	40D
60° initial beamspread	60D

Driver	
dimble to 1% by a 0-10V dimmer on 120 or 277-volt service	DMV
dimble to 5% or 10% (see Light Source Output box below) by either an incandescent or ELV dimmer; 120-volt service only	DMP
eldoLED 0-10V (Logarithmic) driver dimmable to 0.1% with a 0-10V dimmer on 120 or 277-volt service	DV0ELG
eldoLED 0-10V (Linear) driver dimmable to 0.1% with a 0-10V dimmer on 120 or 277-volt service	DV0ELN
eldoLED driver dimmable to 0.1%, compatible with DALI control system	DAO-EL
Moons' driver dimmable to 0.1%, compatible with DMX controllers	DXO

Light Source Output (Lumens)	
1000L / CRI 98 Artist	DMP (5%) ... L10A
1300L / CRI 98 Artist	DMP (5%) ... L13A
1300L / CRI 80+	DMP (10%) ... L13S
1300L / CRI 80+ Vibrant	3000K only..... DMP (10%) ... L13V
1600L / CRI 80+	DMP (5%) ... L16S
1600L / CRI 80+ Vibrant	3000K only..... DMP (5%) ... L16V
2100L / CRI 98 Artist	DMP (5%) ... L21A
2100L / CRI 80+	DMP (5%) ... L21S
2100L / CRI 80+ Vibrant	3000K only..... DMP (5%) ... L21V
2700L / CRI 98 Artist	see SPACING
3000L / CRI 98 Artist	see SPACING
3000L / CRI 80+	see SPACING
3000L / CRI 80+ Vibrant	see SPACING ... 3000K only.....
4000L / CRI 80+	see SPACING
4000L / CRI 80+ Vibrant	see SPACING ... 3000K only.....

Light Color	
2700 K	27K
3000 K	30K
3500 K	35K
4000 K	40K

Voltage	
120 volt service	120
277 volt service	277

Reflector Color and Detail	<i>Overlap</i>	<i>Trim Flush*</i>
Semi-specular Clear	COL	CTF
Slightly diffuse Clear	VOL	VTF
Fully diffuse Clear	ECOL	ECTF
Champagne Gold	GOL	GTF
Black	BOL	BTF
White	WOL	WTF
Standard reflector flange continues reflector finish. White painted flanges and custom painted flanges are available on special order. Add WF (white flange) or CCF (custom color flange).		
*Trim Flush reflector trim requires the use of a plaster ring Accessory (see below).		
▶ Reflectors detailed for metal or wood ceilings available on special order.		

OPTIONS *Specify by adding to the basic unit.*

Emergency battery pack	
Fixture depth increases to 9"; footprint increases to 17 7/8" x 10"	- EM

EXTRA REFLECTORS *Specify as separate line items.*

20° initial beamspread	XTM-REF20-72
40° initial beamspread	XTM-REF40-72
60° initial beamspread	XTM-REF60-70

ACCESSORIES *Specify as separate line item.*

Plaster ring allows use of 5 7/8" OD Trim Flush (TF) reflector in sheetrock ceiling; 6 3/16" dia hole required.....	- TF RING/5
--	-------------



OPTICAL ACCESSORIES *Specify as separate line*

For use only with the "lens holder" fixture model; see Product Code / Basic Unit above.
All are 3 3/4" (95mm) diameter. Lenses and filters are glass; screens are aluminum.

prismatic lens (Solite) (included with - DG option)	PLS/3.75
55° spread lens	LENS/3.75
40° x 70° spread lens	LENS/3.75-4070
33% light reduction screen	SCR33/3.75
50% light reduction screen	SCR50/3.75

color filters

surprise pink	PNK/3.75
daylight blue	DAY/3.75
amber	AMB/3.75
blue	BLU/3.75
green	GRN/3.75
red	RED/3.75

PHOTOMETRIC REPORT (tested per IESNA LM-79-2008)

Prorated from **LTL** Report No. 226172. Original Luminaire Testing Laboratories, Inc. (LTL) test reports furnished upon request.

Luminaire recessed LED round downlight with semi-specular clear aluminum reflector
Lamp Xicato XTM 19mm LED with 40° beam spread integral reflector, 3000K CCT, 3000 lumens
Lamp Life rated 50,000 hours based on L70/B50 criteria. LM80 report by LED manufacturer furnished upon request
Spacing Criteria 0.6 (0.7 for 60° reflector, 0.4 for 20° reflector)

LUMINAIRE LIGHT OUTPUT AND EFFICACY

(40° beam spread integral reflector)

LED Light Engine	Luminaire Light Output	Luminaire Efficacy (lms/watt)	System Wattage	EM Light Output (90 min. run)
1000 Lumens Artist	750*	43*	17	394*
1300 Lumens Artist	999*	46*	22	394*
2100 Lumens Artist	1628*	55*	30	431*
2700 Lumens Artist	1977*	51*	38	431*
3000 Lumens Artist	2151*	50*	43	431*
1300 Lumens standard & Vibrant	1011*	60*	17	407*
1600 Lumens standard & Vibrant	1232*	65*	19	456*
2100 Lumens standard & Vibrant	1598*	63*	25	456*
3000 Lumens standard & Vibrant	2225	66	33	431*
4000 Lumens standard & Vibrant	2780*	62*	45	431*

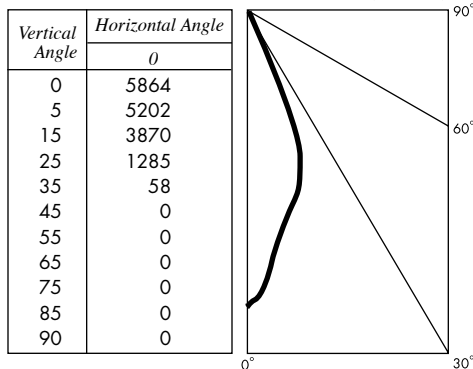
*estimated values

LIGHT OUTPUT MULTIPLIER

LED Light Engine	Light Output Multiplier	REM Light Output Multiplier (90-minute run)
1000 Lumens Artist	.34*	.18*
1300 Lumens Artist	.45*	.18*
2100 Lumens Artist	.74*	.19*
2700 Lumens Artist	.89*	.19*
3000 Lumens Artist	.97*	.19*
1300 Lumens standard & Vibrant	.46*	.18*
1600 Lumens standard & Vibrant	.56*	.21*
2100 Lumens standard & Vibrant	.72*	.21*
3000 Lumens standard & Vibrant	1	.19*
4000 Lumens standard & Vibrant	1.25*	.19*

*estimated values

CANDLEPOWER DISTRIBUTION [Candela]



STANDARD (0-10V DIMMING) DRIVER INFORMATION *UL Class 2, dry and damp location*

Voltage	120	277
Input Watts (L10A/L13A/L21A/L27A/L30A/L13S&V/L16S&V/L21S&V/L30S&V/L40S&V lumens)	17/22/30/38/43/17/19/25/33/45	17/22/30/38/43/17/19/25/33/45
Input Current (A) (L10A/L13A/L21A/L27A/L30A/L13S&V/L16S&V/L21S&V/L30S&V/L40S&V lumens)	.14/.18/.25/.33/36/.14/.16/.21/.28/.38	.06/.08/.11/.14/.16/.06/.07/.09/.12/.16
Output Current (mA)	500-1100	500-1100
Min. Power Factor	>0.9	>0.9
Operating Temperature Range (F)	-4 to 122	-4 to 122

REFLECTOR COLOR MULTIPLIERS

Semi-specular clear (C)	1
Slightly diffuse clear (V)	.95
Fully diffuse clear (EC)	.88
Champagne gold clear (G)	.95
Black (B)	.49

ZONAL LUMEN SUMMARY

Zone	Lumens	% Fixture
0 - 30°	2144	96.43
0 - 40°	2225	100.0
0 - 60°	2225	100.0
0 - 90°	2225	100.0
90 - 180°	0	0.0
0 - 180°	2225	100.0

LUMINANCE DATA [Candela/m²]

Vertical Angle	Horizontal Angles	
	0	
45	0	
55	0	
65	0	
75	0	
85	0	