

Project

Date

Product Code

Type

Designer



FIVE HI XTM SM

surface mounted LED downlight/wallwasher



FEATURES

- **FIVE HI XTM SM is a 5" aperture surface mounted LED downlight/wallwasher.** Luminaire is powered by one of a number of Xicato 19mm XTM LED modules, all of which are distinguished by extraordinary color consistency (within 1x2-step MacAdam ellipse). See tables below for wattages and efficacies. Luminaire may be ordered with one of a number of drivers.
- **One basic housing allows interchangeable use** of the downlight and wallwash (120°) reflectors. This permits housings to be installed first and reflectors installed or changed at any time.
- **Precise reflector design minimizes aperture brightness** minimizes aperture brightness and provides a shielding angle of 40°.
- **External reflectors are available in clear natural aluminum finishes** — slightly diffuse (V) or fully diffuse (EC) — as well as champagne gold Alzak® and white. Other reflector finishes are available on special order.
- **For more information, [click here.](#)**

APPLICATIONS

Fixture is suitable for 120-volt or 277-volt service and is listed for Damp Location and mounting on a 3½" or 4" octagonal outlet box (supplied by others).

MODIFICATIONS AVAILABLE

Contact factory with quantity for pricing; orders may require shop drawing approval.

- Side bracket, for mounting on vertical surfaces

For a pendant mounted model, see [FIVE HI XTM PM](#)

PRODUCT CODE

For complete product code, list basic unit and select one item from each following box.

Basic Unit FH-SM-XTM

Light Source Output (Lumens)

| | |
|--|------|
| 1000L / CRI 98 Artist..... | L10A |
| 1300L / CRI 98 Artist..... | L13A |
| 1600L / CRI 80+..... | L16S |
| 1600L / CRI 80+ Vibrant..... 3000K only..... | L16V |
| 2100L / CRI 98 Artist..... | L21A |
| 2100L / CRI 80+ | L21S |
| 2100L / CRI 80+ Vibrant..... 3000K only..... | L21V |
| 2700L / CRI 80+ | L27S |
| 2700L / CRI 80+ Vibrant..... 3000K only..... | L27V |

LED Light Engine Color

| | |
|------------|-----|
| 2700K..... | 27K |
| 3000K..... | 30K |
| 3500K..... | 35K |
| 4000K..... | 40K |

Driver

| | |
|---|--------|
| dimmable to 1% by a 0-10V dimmer on 120 or 277-volt service..... | DMV |
| dimmable to 5% by either an incandescent or ELV dimmer; 120-volt service only..... | DMP |
| eldoLED 0-10V (Logarithmic) driver dimmable to 0.1% with a 0-10V dimmer on 120 or 277-volt service | DVOELG |
| eldoLED 0-10V (Linear) driver dimmable to 0.1% with a 0-10V dimmer on 120 or 277-volt service | DVOELN |
| eldoLED driver dimmable to 0.1%, compatible with DALI control system | DA0-EL |

Voltage

| | |
|------------------------|-----|
| 120 volt service | 120 |
| 277 volt service | 277 |

Finish

| | |
|--|-----|
| white | WHT |
| black | BLK |
| Industrial Silver | SIL |
| custom color: include physical chip with order | CC |

Reflector Type

| | |
|-----------------|-----------|
| Downlight | no suffix |
| Wallwash..... | WW |

Reflector Color

| | |
|-----------------------------|------|
| Slightly diffuse Clear..... | VSM |
| Fully diffuse Clear..... | ECSM |
| Champagne Gold | GSM |
| White | WSM |

Other reflector finishes are available on special order.

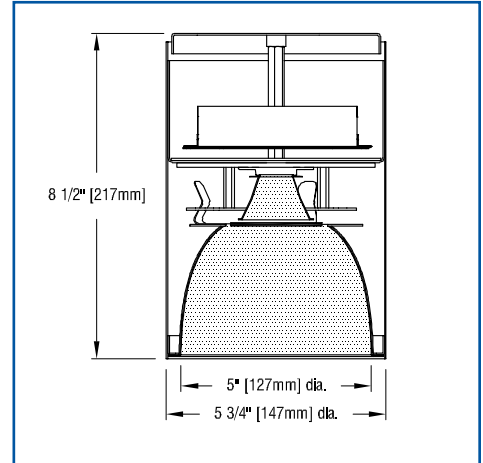
Overlap Flange continues reflector finish. White painted flanges and custom painted flanges are available on special order. Add WF (white flange) or CCF (custom color flange).



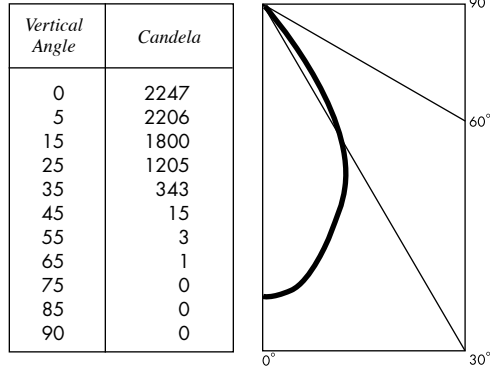
PHOTOMETRIC REPORT (tested per IESNA LM-79-2008)

Verification Services Report No. 1225375. Original report furnished upon request.

Luminaire surface-mounted LED round downlight with aluminum reflector
 Lamp Xicato 19mm XTM LED, 2700 lumens, 3000K, 80 CRI
 Lamp Life rated 50,000 hours based on L70/B50 criteria. LM80 report by LED manufacturer furnished upon request
 Spacing Criteria 0.8



CANDLEPOWER DISTRIBUTION



ZONAL LUMEN SUMMARY

| Zone | Lumens | % Fixture |
|-----------|--------|-----------|
| 0 – 40° | 1457 | 98.2 |
| 0 – 60° | 1481 | 99.8 |
| 0 – 90° | 1482 | 100.0 |
| 90 – 180° | 0 | 0.0 |

COLOR MULTIPLIERS

| | |
|----------------------------|-----|
| Slightly diffuse clear (V) | 1 |
| Fully diffuse clear (EC) | .93 |
| Champagne gold (G) | 1 |

STANDARD DRIVER (0-10V DIMMING) INFORMATION UL Class 2, dry and damp location

| Voltage | 120 | 277 |
|---|-------------------------|-------------------------|
| Input Watts (L10A/L13A/L21A/L16S&V/L21S&V/L27S&V lumens) | 15/20/27/17/23/27 | 15/20/27/17/23/27 |
| Input Current (A) (L10A/L13A/L21A/L16S&V/L21S&V/L27S&V lumens) | .13/.17/.23/.13/.19/.23 | .05/.07/.10/.06/.08/.10 |
| Output Current (mA) | 500–700 | 500–700 |
| Min. Power Factor | >0.9 | >0.9 |
| Operating Temperature Range (F) | -4 to 122 | -4 to 122 |

LIGHT OUTPUT MULTIPLIERS

Based on 2700 lumens LED

| LED Light Engine | Light Output Multiplier |
|--------------------------------|-------------------------|
| 1000 Lumens | .37* |
| 1300 Lumens | .50* |
| 2100 Lumens | .79* |
| 1600 Lumens standard & Vibrant | .61* |
| 2100 Lumens standard & Vibrant | .79* |
| 2700 Lumens standard & Vibrant | 1 |

*estimated values

LUMINANCE DATA

| Vertical Angle | Candela/m ² |
|----------------|------------------------|
| 45 | 1292 |
| 55 | 332 |
| 65 | 172 |
| 75 | 114 |
| 85 | 57 |

To convert cd/m² to footlamberts multiply by 0.2919.

LUMINAIRE LIGHT OUTPUT AND EFFICACY

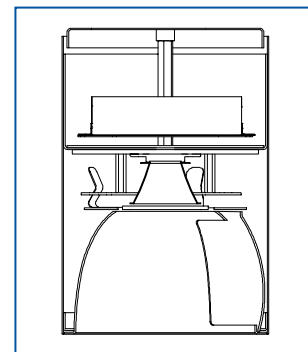
| LED Light Engine | Luminaire Light Output | Luminaire Efficacy (lms/watt) | System Wattage |
|--------------------------------|------------------------|-------------------------------|----------------|
| 1000 Lumens | 551* | 36* | 15 |
| 1300 Lumens | 735* | 38* | 20 |
| 2100 Lumens | 1175* | 44* | 27 |
| 1600 Lumens standard & Vibrant | 905* | 54* | 17 |
| 2100 Lumens standard & Vibrant | 1177* | 50* | 23 |
| 2700 Lumens standard & Vibrant | 1483 | 55 | 27 |

*estimated values

PHOTOMETRIC REPORT (tested per IESNA LM-79-2008)

UL Verification Services Report No. 1225376. Original report furnished upon request.

Luminaire surface-mounted LED round wallwasher with aluminum reflector
 Lamp Xicato 19mm XTM LED, 2700 lumens, 3000K, 80 CRI
 Lamp Life rated 50,000 hours based on L70/B50 criteria. LM80 report
 by LED manufacturer furnished upon request



WALLWASH INFORMATION *Based on 2700 lumens LED*

| Distance From Ceiling (Feet) | 2' 6" From Wall; 2' 6" O.C. | | 3' From Wall; 3' O.C. | |
|------------------------------|-----------------------------|------------------|-----------------------|------------------|
| | Below Fixture | Between Fixtures | Below Fixture | Between Fixtures |
| 1 | 5 | 5 | 5 | 5 |
| 2 | 11 | 11 | 8 | 8 |
| 3 | 12 | 12 | 8 | 8 |
| 4 | 16 | 16 | 10 | 10 |
| 5 | 19 | 19 | 12 | 13 |
| 6 | 19 | 20 | 14 | 14 |
| 7 | 18 | 18 | 13 | 14 |
| 8 | 16 | 16 | 12 | 12 |
| 9 | 14 | 14 | 11 | 11 |
| 10 | 12 | 13 | 10 | 10 |
| 11 | 11 | 11 | 9 | 9 |
| 12 | 10 | 10 | 8 | 8 |
| 13 | 9 | 9 | 7 | 7 |
| 14 | 8 | 8 | 7 | 7 |
| 15 | 7 | 7 | 6 | 6 |

All vertical footcandles are initial values with no contribution from ceiling or floor reflectances. Computation performed with a total of ten wallwashers.

LIGHT OUTPUT MULTIPLIERS

Based on 2700 lumens LED

| LED Light Engine | Light Output Multiplier |
|--------------------------------|-------------------------|
| 1000 Lumens | .37* |
| 1300 Lumens | .50* |
| 2100 Lumens | .79* |
| 1600 Lumens standard & Vibrant | .61* |
| 2100 Lumens standard & Vibrant | .79* |
| 2700 Lumens standard & Vibrant | 1 |

*estimated values

LUMINAIRE LIGHT OUTPUT AND EFFICACY

| LED Light Engine | Luminaire Light Output | Luminaire Efficacy (lms/watt) | System Wattage |
|--------------------------------|------------------------|-------------------------------|----------------|
| 1000 Lumens | 538* | 35* | 15 |
| 1300 Lumens | 718* | 37* | 20 |
| 2100 Lumens | 1147* | 42* | 27 |
| 1600 Lumens standard & Vibrant | 883* | 53* | 17 |
| 2100 Lumens standard & Vibrant | 1148* | 49* | 23 |
| 2700 Lumens standard & Vibrant | 1447 | 54 | 27 |

*estimated values